

# Housing - HC-STA-D07-CHWSCF-1TTP11-EL-AL - 1419245

Please be informed that the data shown in this PDF Document is generated from our Online Catalog. Please find the complete data in the user's documentation. Our General Terms of Use for Downloads are valid (<http://phoenixcontact.com/download>)



Coupling housings D7, with single locking latch, material: Die-cast aluminum, salt water resistant, protective cover material: PA, cable outlets: 1, straight, height: 60.5 mm, cable gland: none, support sleeve: yes, 1x Pg11, protective cover: yes, Standard, for socket inserts



## Key Commercial Data

Packing unit	1 pc
GTIN	
GTIN	4055626159768

## Technical data

### Dimensions

Height	60.5 mm
Width	34.2 mm
Length	24.2 mm

### Ambient conditions

Degree of protection (IP)	IP66
	IP67
Ambient temperature (operation)	-40 °C ... 125 °C

### General

Note	for contact inserts HC-A03, A04, D07, D08, Q02, Q03, Q04, Q05, Q07, Q12
Size	D7
Housing type	Coupling housings
Color	gray aluminum
Locking type	with single locking latch
No. of cable outlets	1
Cable outlet	straight
Screw connection	none

## Housing - HC-STA-D07-CHWSCF-1TTP11-EL-AL - 1419245

### Technical data

#### General

Type of the screw connection	1x Pg11
Protective cover	yes
Housing material	Die-cast aluminum, salt water resistant
Housing surface material	uncoated
Material lock	PA
Material, protective cover	PA
Flammability rating according to UL 94	V0 (Interlock)
	V0 (Protective cover)

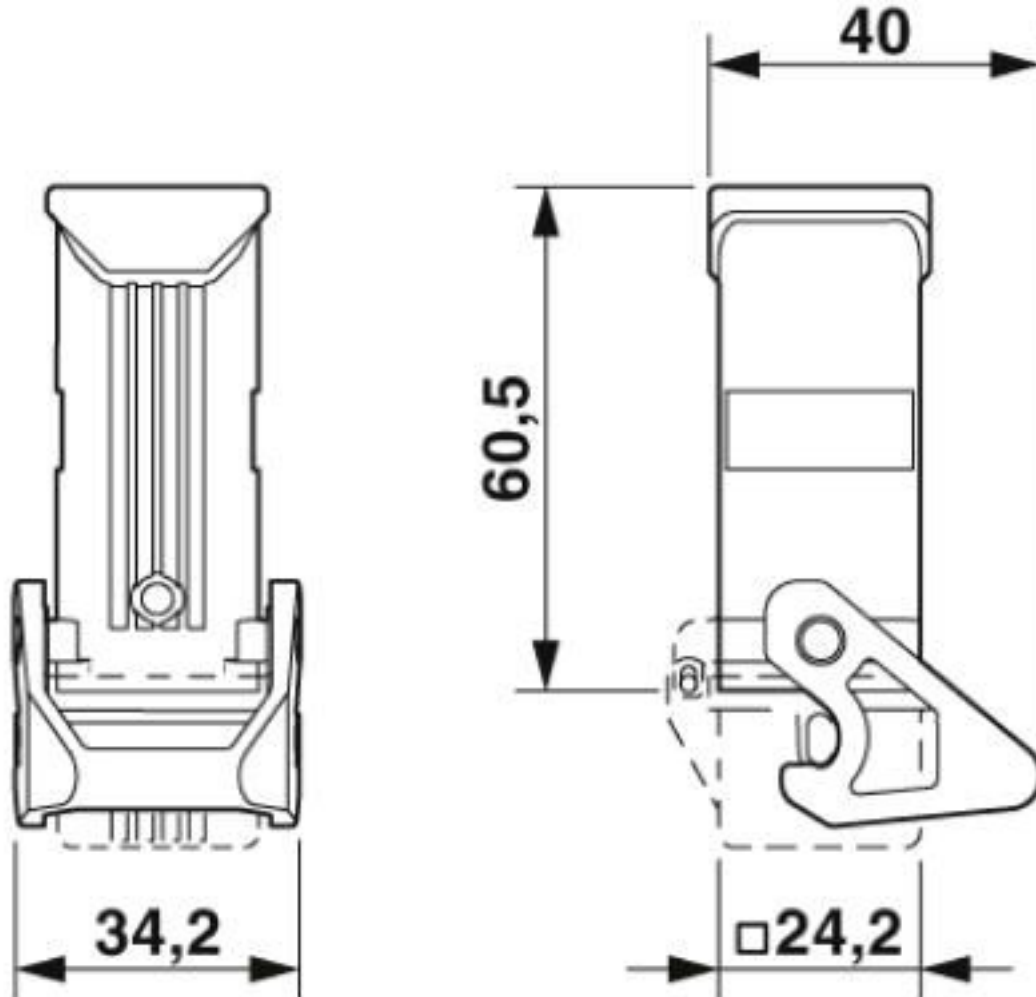
#### Environmental Product Compliance

China RoHS	Environmentally Friendly Use Period = 50 years
	For details about hazardous substances go to tab "Downloads", Category "Manufacturer's declaration"

### Drawings

# Housing - HC-STA-D07-CHWSCF-1TTP11-EL-AL - 1419245

Dimensional drawing



Dimensional drawing

## Classifications

eCl@ss

eCl@ss 10.0.1	27440202
eCl@ss 5.1	27261200
eCl@ss 6.0	27261200
eCl@ss 7.0	27440202
eCl@ss 8.0	27440202
eCl@ss 9.0	27440202

ETIM

ETIM 5.0	EC000437
ETIM 6.0	EC000437

# Housing - HC-STA-D07-CHWSCF-1TTP11-EL-AL - 1419245

## Classifications

### ETIM

ETIM 7.0	EC000437
----------	----------

### UNSPSC

UNSPSC 13.2	31261501
UNSPSC 18.0	31261501
UNSPSC 19.0	31261501
UNSPSC 20.0	31261501
UNSPSC 21.0	31261501

## Approvals

### Approvals

#### Approvals

EAC / DNV GL

#### Ex Approvals

### Approval details

EAC		RU C- DE.AI30.B.01102
-----	--	--------------------------

DNV GL		<a href="https://approvalfinder.dnvgl.com/">https://approvalfinder.dnvgl.com/</a>	TAE000037S
--------	--	---	------------

## Accessories

### Accessories

#### Full screw connection

#### Cable gland - G-INS-PG11-S68N-NNES-S - 1411172



Cable gland, cable gland material: Nickel-plated brass, external cable diameter 5 mm ... 10 mm, shielding: no, connecting thread: Pg11, color: silver, with O-ring

## Housing - HC-STA-D07-CHWSCF-1TTP11-EL-AL - 1419245

### Accessories

Cable gland - G-INSEC-PG11-S68N-NNES-S - 1411197



Cable gland, cable gland material: Nickel-plated brass, external cable diameter 5 mm ... 10 mm, shielding: yes, connecting thread: Pg11, color: silver, with O-ring

---

Cable gland - G-INS-PG11-S68N-PNES-GY - 1411142



Cable gland, cable gland material: PA, external cable diameter 5 mm ... 10 mm, shielding: no, connecting thread: Pg11, color: silver-gray RAL 7001

---

Cable gland - G-INS-PG11-M68N-PNES-BK - 1424497



Cable gland, cable gland material: PA, external cable diameter 5 mm ... 10 mm, shielding: no, connecting thread: Pg11, color: jet black RAL 9005

---

### Housing latches

Housing brackets - HC-D07-SL-PLBK - 1424440



Replacement latch for HC-D7 housing

---

### Labeled device marker

Plastic label - US-EMLP (20X9) CUS - 0830085



Plastic label, can be ordered: by card, white, labeled according to customer specifications, mounting type: adhesive, lettering field size: 20 x 9 mm, Number of individual labels: 75

---

---

Phoenix Contact 2020 © - all rights reserved  
<http://www.phoenixcontact.com>

PHOENIX CONTACT GmbH & Co. KG  
Flachmarktstr. 8  
32825 Blomberg  
Germany  
Tel. +49 5235 300  
Fax +49 5235 3 41200  
<http://www.phoenixcontact.com>

# Mouser Electronics

Authorized Distributor

Click to View Pricing, Inventory, Delivery & Lifecycle Information:

[Phoenix Contact:](#)

[1419245](#)