

Network cable - NBC-FSBPX/0,5-94F/R4AC-10G - 1417828


Please be informed that the data shown in this PDF Document is generated from our Online Catalog. Please find the complete data in the user's documentation. Our General Terms of Use for Downloads are valid (<http://phoenixcontact.com/download>)



Network cable, degree of protection: IP67/IP20, number of positions: 8, 10 Gbps, CAT6_A, cable outlet: straight



Key Commercial Data

Packing unit	1 pc
Minimum order quantity	10 pc
GTIN	 4 055626 126470
GTIN	4055626126470

Technical data

Ambient conditions

Ambient temperature (operation)	-25 °C ... 60 °C (Plug / socket)
---------------------------------	----------------------------------

General data

Rated current at 40°C	0.5 A
Rated voltage	48 V
Number of positions	8
Alternative short product description	Ethernet cable
Rated voltage (III/3)	72 V (DC)
Contact material	CuZn
Contact carrier material	PPA
Contact surface material	gold-plated
Degree of protection	IP67/IP20
Number of slots	1
Transmission characteristics (category)	CAT6 _A

Characteristics head 1

Shielded	yes
Outer sheath, material	PUR

Network cable - NBC-FSBPX/0,5-94F/R4AC-10G - 1417828

Technical data

Characteristics head 1

External sheath, color	water blue RAL 5021
Type type, plug side	Flush-type socket, straight
Type type, socket side	Plug, straight

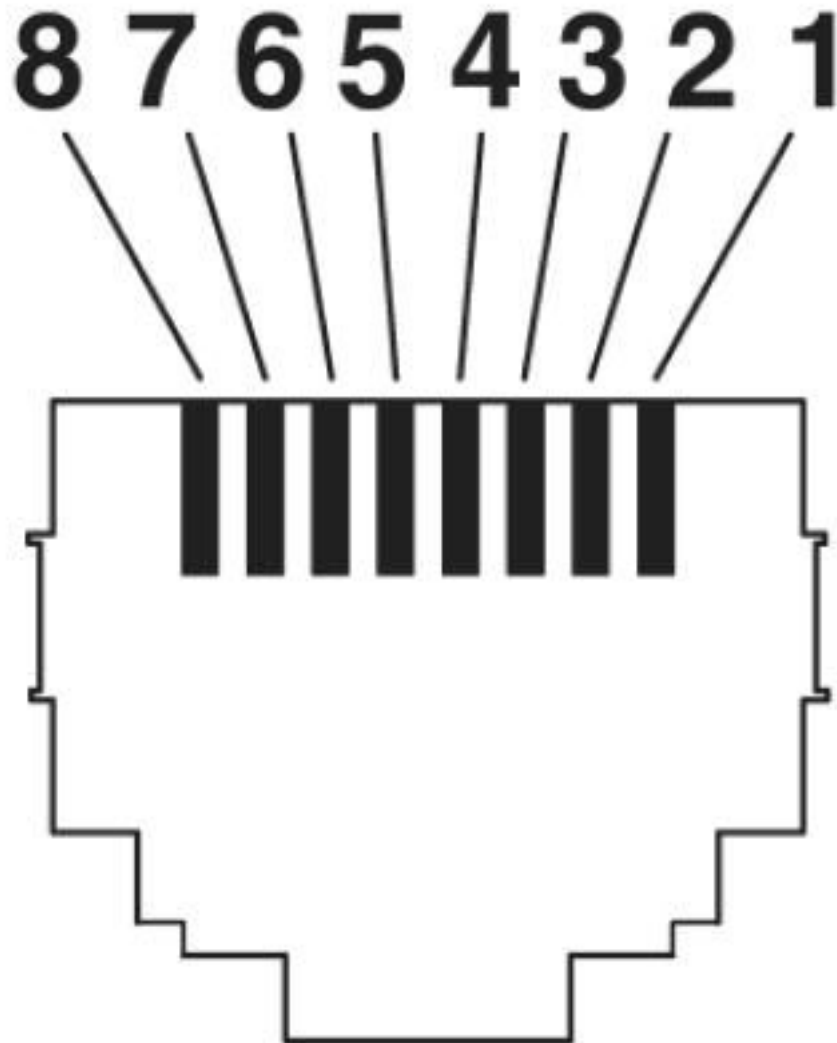
Environmental Product Compliance

REACH SVHC	Lead 7439-92-1
China RoHS	Environmentally Friendly Use Period = 50 years
	For details about hazardous substances go to tab "Downloads", Category "Manufacturer's declaration"

Drawings

Network cable - NBC-FSBPX/0,5-94F/R4AC-10G - 1417828

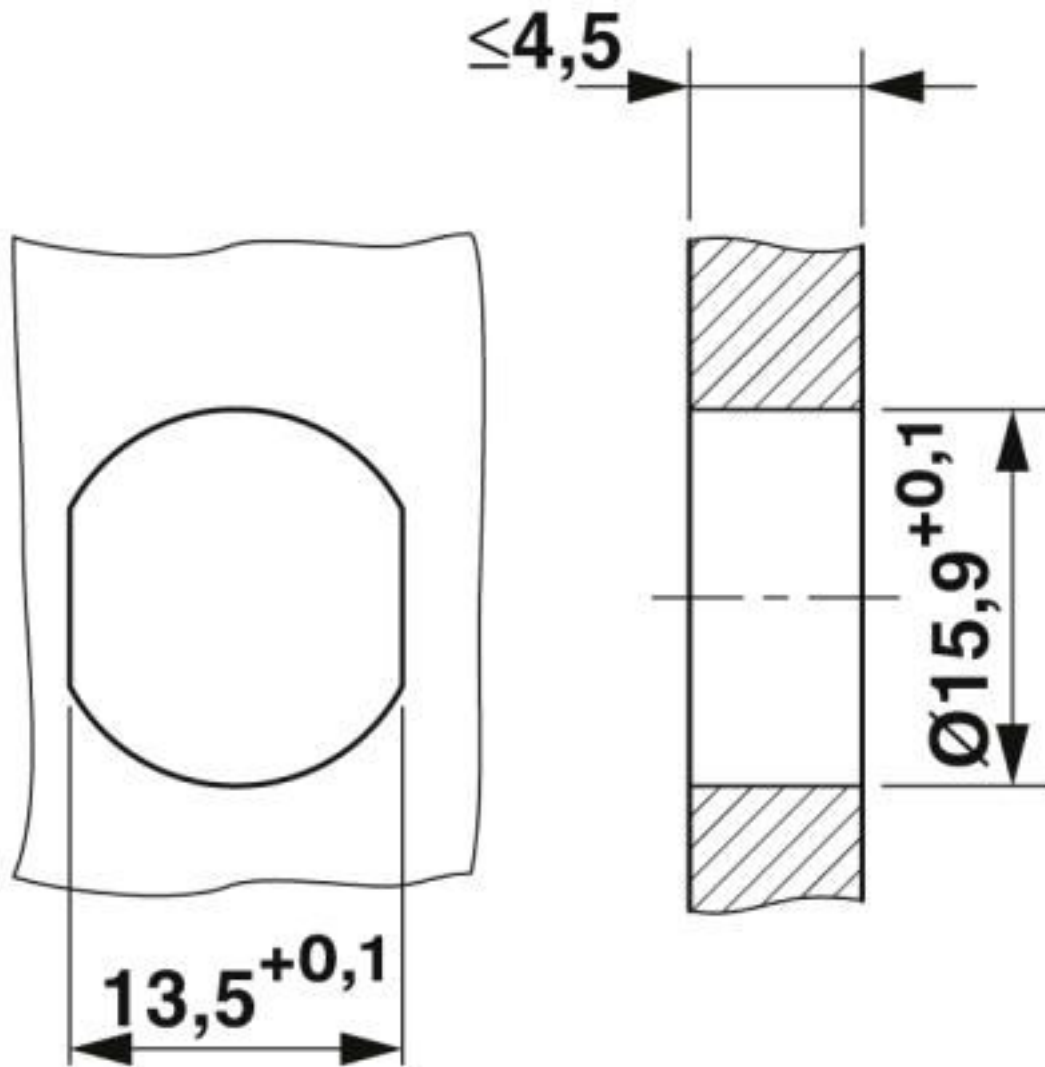
Schematic diagram



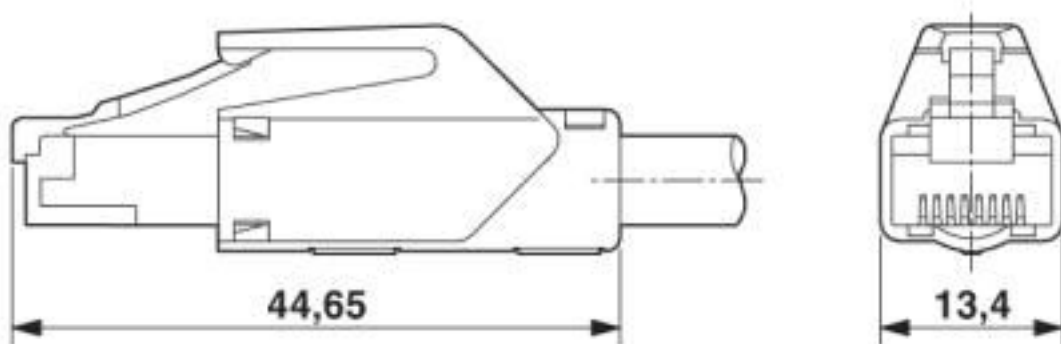
Connector pin assignment plug RJ45

Network cable - NBC-FSBPX/0,5-94F/R4AC-10G - 1417828

Dimensional drawing



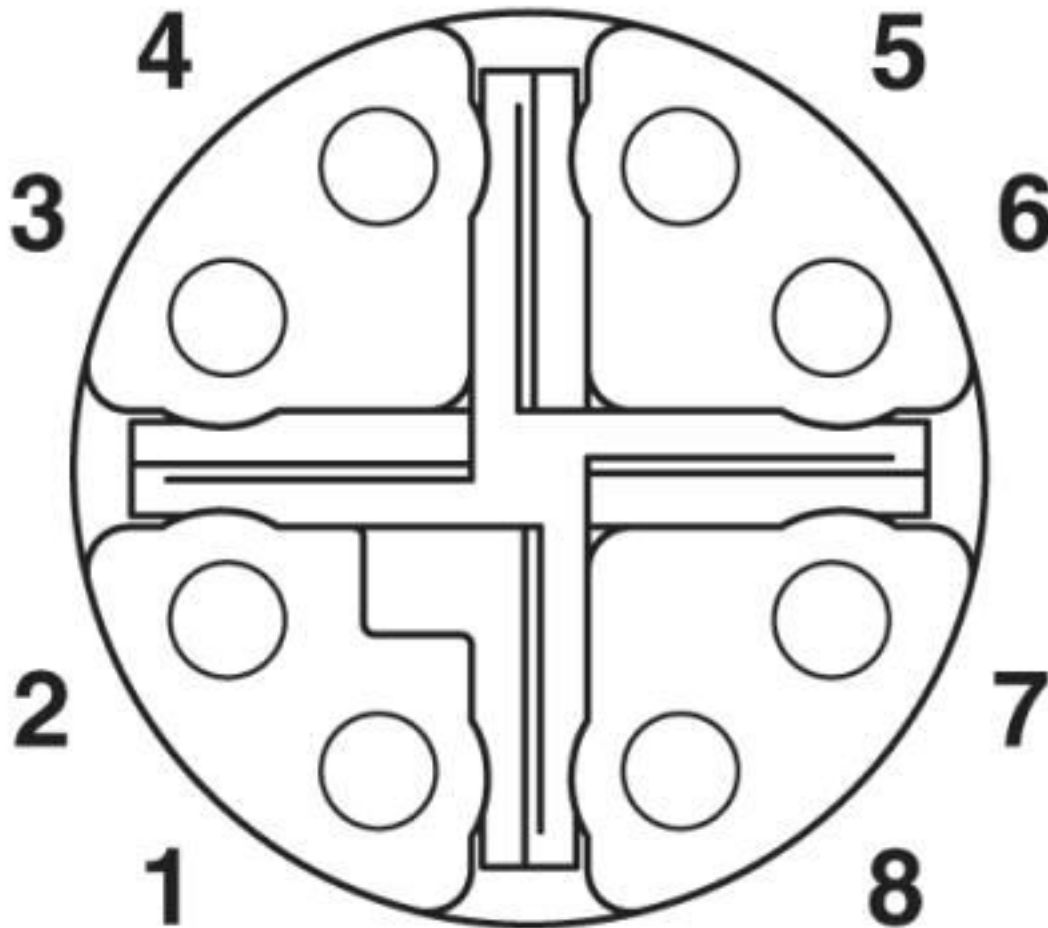
Dimensional drawing



RJ45 connector, IP20

Network cable - NBC-FSBPX/0,5-94F/R4AC-10G - 1417828

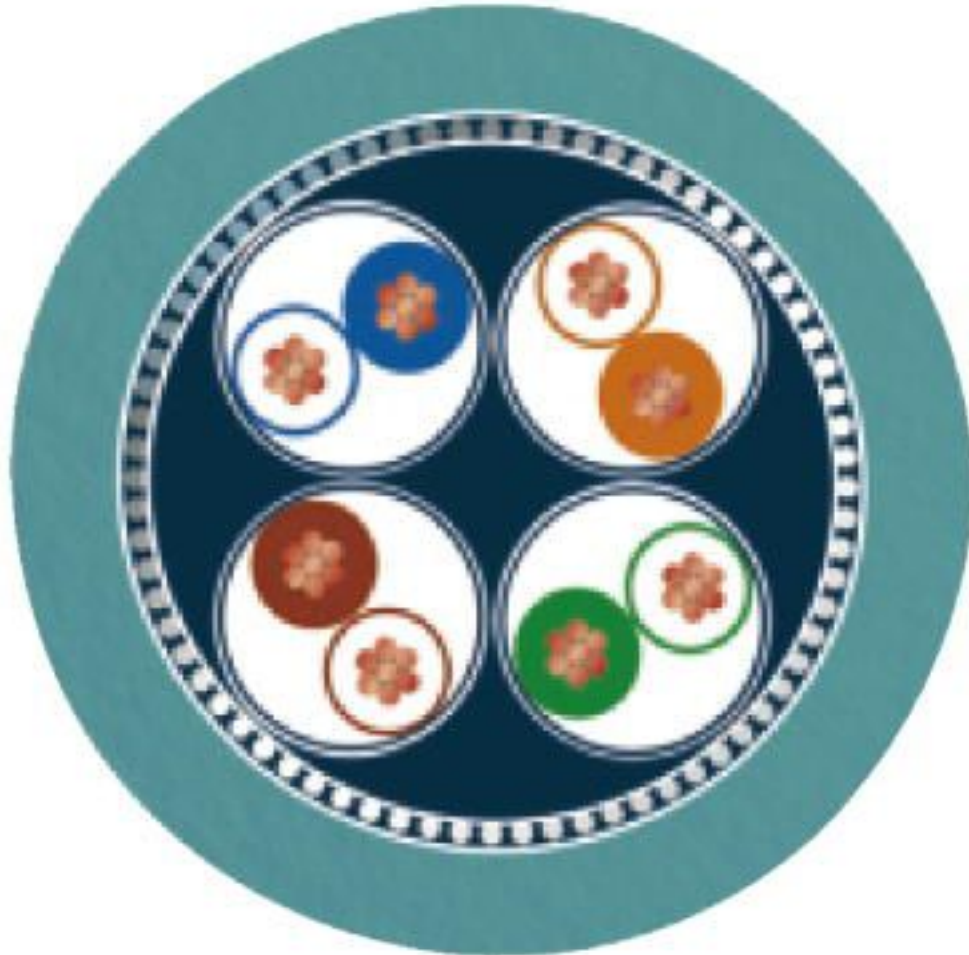
Schematic diagram



M12 socket pin assignment, 8-pos, view of socket side

Network cable - NBC-FSBPX/0,5-94F/R4AC-10G - 1417828

Cable cross section



Ethernet 10 Gbit [94F]

Classifications

eCl@ss

eCl@ss 10.0.1	27060308
eCl@ss 5.1	27061801
eCl@ss 7.0	27060308
eCl@ss 8.0	27060308
eCl@ss 9.0	27060308

ETIM

ETIM 5.0	EC002599
ETIM 6.0	EC001262
ETIM 7.0	EC001262

Network cable - NBC-FSBPX/0,5-94F/R4AC-10G - 1417828

Classifications

UNSPSC

UNSPSC 13.2	26121604
UNSPSC 18.0	26121604
UNSPSC 19.0	26121604
UNSPSC 20.0	26121604
UNSPSC 21.0	26121604

Approvals


Approvals

Approvals

EAC

Ex Approvals

Approval details

EAC		19060508
-----	---	----------

Phoenix Contact 2020 © - all rights reserved
<http://www.phoenixcontact.com>

PHOENIX CONTACT GmbH & Co. KG
Flachsmarktstr. 8
32825 Blomberg
Germany
Tel. +49 5235 300
Fax +49 5235 3 41200
<http://www.phoenixcontact.com>

Mouser Electronics

Authorized Distributor

Click to View Pricing, Inventory, Delivery & Lifecycle Information:

[Phoenix Contact:](#)

[1417828](#)