


Screw plug - A-INSP-M25-65N-P-BK - 1415207

Please be informed that the data shown in this PDF Document is generated from our Online Catalog. Please find the complete data in the user's documentation. Our General Terms of Use for Downloads are valid (<http://phoenixcontact.com/download>)

Screw plug, material: PA, connecting thread: M25 x 1.5, color: jet black RAL 9005, with O-ring



Key Commercial Data

Packing unit	10 pc
Minimum order quantity	10 pc
GTIN	 4 055626 038520
GTIN	4055626038520

Technical data

Dimensions

Length	11.5 mm
Connecting thread diameter	25 mm
Hexagon angular dimension	30 mm (Diameter)
Length of the connecting thread	8 mm

Ambient conditions

Degree of protection (IP)	IP68
	IP66
Ambient temperature (operation)	-40 °C ... 100 °C

General

Material	PA
Sealing material	EPDM (O-ring)
Thread type on connection side	M25 x 1.5
Torque	1.5 Nm
Color	jet black RAL 9005
Manufacturer	WISKA
Manufacturer Designation	EVSG-ORD 25

Screw plug - A-INSP-M25-65N-P-BK - 1415207

Technical data

Standards and Regulations

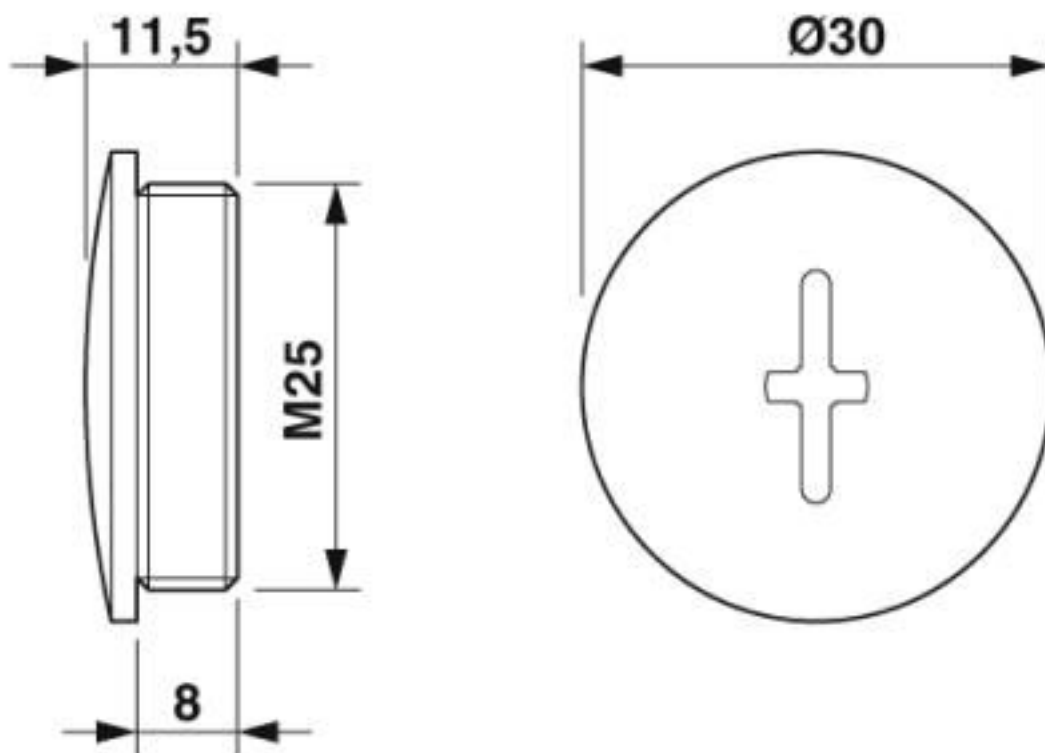
Halogen-free	yes
--------------	-----

Environmental Product Compliance

China RoHS	Environmentally friendly use period: unlimited = EFUP-e
	No hazardous substances above threshold values

Drawings

Dimensional drawing



Classifications

eCl@ss

eCl@ss 10.0.1	23111190
eCl@ss 4.0	23111100
eCl@ss 4.1	23111100
eCl@ss 5.0	23111100
eCl@ss 5.1	23111100
eCl@ss 6.0	23111100
eCl@ss 7.0	23111190
eCl@ss 8.0	23111190

Screw plug - A-INSP-M25-65N-P-BK - 1415207

Classifications

eCl@ss

eCl@ss 9.0	23111190
------------	----------

ETIM

ETIM 4.0	EC000032
ETIM 5.0	EC000032
ETIM 6.0	EC000032
ETIM 7.0	EC000032

UNSPSC

UNSPSC 13.2	31161501
UNSPSC 18.0	31261502
UNSPSC 19.0	31261502
UNSPSC 20.0	31261502
UNSPSC 21.0	31261502

Accessories

Accessories

Flat nut

Counter nut - A-INL-M25-P-BK - 1411216



Counter nut, material: PA, for threads M25 x 1.5, color: jet black RAL 9005

Phoenix Contact 2020 © - all rights reserved
<http://www.phoenixcontact.com>

PHOENIX CONTACT GmbH & Co. KG
Flachsmarktstr. 8
32825 Blomberg
Germany
Tel. +49 5235 300
Fax +49 5235 3 41200
<http://www.phoenixcontact.com>

Mouser Electronics

Authorized Distributor

Click to View Pricing, Inventory, Delivery & Lifecycle Information:

[Phoenix Contact:](#)

[1415207](#)