

# Cable gland - G-ESIS-M50-L68L-PEPDS-BL - 1415121

Please be informed that the data shown in this PDF Document is generated from our Online Catalog. Please find the complete data in the user's documentation. Our General Terms of Use for Downloads are valid (<http://phoenixcontact.com/download>)



Cable gland, cable gland material: PA, application: Ex, external cable diameter 23 mm ... 35 mm, shielding: no, connecting thread: M50 x 1.5, color: black/blue, with flat gasket

## Product Description

Cable gland, with flat gasket


## Your advantages

- Glow-wire test: 750°C
- Weatherproof sealing material
- Halogen-free

RoHS



## Key Commercial Data

Packing unit	1 pc
GTIN	 4 055626 037820
GTIN	4055626037820

## Technical data

### Dimensions

Length	76 mm
Thread pitch	1.5 mm
Wrench size, union nut	55 mm
Wrench size, support	55 mm
Hexagon angular dimension	61 mm
Length of the connecting thread	18 mm
External cable diameter	23 mm ... 35 mm
Cable types that can be used	for unarmored cables
Hole diameter	50.1 mm ... 50.3 mm

### Ambient conditions

Degree of protection (IP)	IP66
---------------------------	------

# Cable gland - G-ESIS-M50-L68L-PEPDS-BL - 1415121

## Technical data

### Ambient conditions

	IP68 (5 bar / 0.5 h)
Ambient temperature (operation)	-40 °C ... 75 °C (static)

### General

Material	PA (Screw connection, halogen-free)
Cable gland material	PA
Sealing material	EPDM (Cable seal, halogen-free)
Glow wire ignition temperature GWIT according to EN 60695-2-13	750.00
Thread type connection side	M50 x 1.5
Torque	13 Nm (Support sleeve)
Tightening torque, union nut	12.00 Nm
Color	black/blue
Impact energy	7.00 J (at -40 °C ... +75 °C)
Manufacturer	WISKA
Manufacturer Designation	ESKE/1-L-i 50
Suited for EX-applications	yes

### Standards and Regulations

Halogen-free	yes
ATEX	II 2 G Ex e IIC Gb, II 2 D Ex tb IIIC Db
IECEX	Ex e IIC Gb, Ex tb IIIC Db

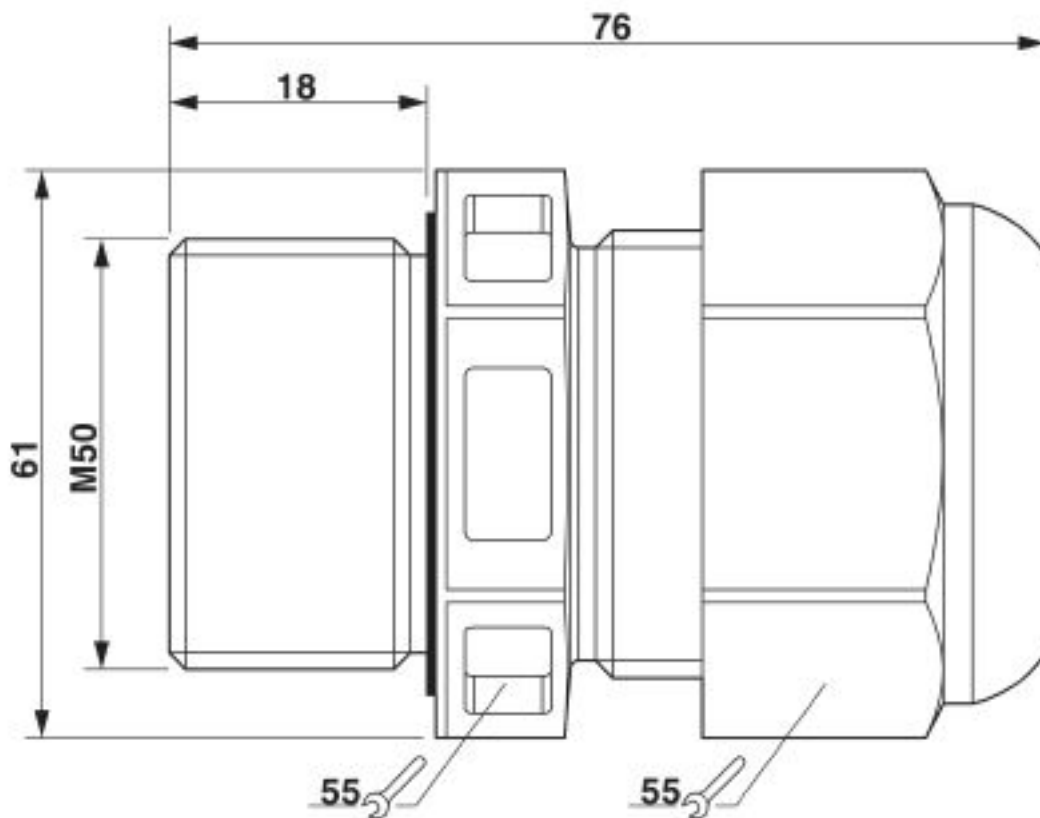
### Environmental Product Compliance

China RoHS	Environmentally friendly use period: unlimited = EFUP-e
	No hazardous substances above threshold values

## Drawings

# Cable gland - G-ESIS-M50-L68L-PEPDS-BL - 1415121

Dimensional drawing



Dimensional drawing

## Classifications

eCl@ss

eCl@ss 10.0.1	27144432
eCl@ss 4.0	27141200
eCl@ss 4.1	27141200
eCl@ss 5.0	27149100
eCl@ss 5.1	27149100
eCl@ss 6.0	27149100
eCl@ss 7.0	27149109
eCl@ss 8.0	27149109
eCl@ss 9.0	27144432

ETIM

ETIM 5.0	EC000441
ETIM 6.0	EC000441
ETIM 7.0	EC000441

# Cable gland - G-ESIS-M50-L68L-PEPDS-BL - 1415121

## Classifications

### UNSPSC

UNSPSC 13.2	39121311
UNSPSC 18.0	39121311
UNSPSC 19.0	39121311
UNSPSC 20.0	39121311
UNSPSC 21.0	39121311

## Accessories

### Accessories

#### Flat nut

Counter nut - A-INL-M50-P-BK - 1411219



Counter nut, material: PA, for threads M50 x 1.5, color: jet black RAL 9005

---

Phoenix Contact 2020 © - all rights reserved  
<http://www.phoenixcontact.com>

PHOENIX CONTACT GmbH & Co. KG  
Flachmarktstr. 8  
32825 Blomberg  
Germany  
Tel. +49 5235 300  
Fax +49 5235 3 41200  
<http://www.phoenixcontact.com>

# Mouser Electronics

Authorized Distributor

Click to View Pricing, Inventory, Delivery & Lifecycle Information:

[Phoenix Contact:](#)

[1415121](#)