

Panel feed-through - QPD W 4PE1,5 M25 0,5 BK - 1414736

Please be informed that the data shown in this PDF Document is generated from our Online Catalog. Please find the complete data in the user's documentation. Our General Terms of Use for Downloads are valid (<http://phoenixcontact.com/download>)




Panel feed-through, QUICKON connection, number of positions: 4+PE, 0.5 mm² ... 1.5 mm², 690 V, 17.5 A, black, without QUICKON nut, assembly thread: M25, Single wires (welded-on), 1.5 mm², wires cut flat at the end, cable length: 0.5 m

Your advantages

- ✓ Innovative and time saving - QUICKON fast connection for time saving of up to 80 % for on-site connection
- ✓ Convenient: quick and easy assembly without special tools
- ✓ Robust throughout: housing with IP68/IP69K and IK07 protection for a wide range of applications
- ✓ Safer connection thanks to polarization against mismatching and touch-proof protection according to DIN EN 0105
- ✓ Efficient - by using panel feed-throughs, devices no longer need to be opened in order to connect cables

Key Commercial Data

Packing unit	1 pc
GTIN	 4 055626 033518
GTIN	4055626033518

Technical data

General

Type	QPD 5x1,5
Length of cable	0.5 m
Color	black
Locking type	Screw locking
Connection method	QUICKON connection IDC connection
Number of positions	5
Note number of positions	4+PE
Tightening torque, union nut	8 Nm
Tightening torque, counter nut	5 Nm
Number of connections	10

Panel feed-through - QPD W 4PE1,5 M25 0,5 BK - 1414736

Technical data

General

Conductor cross section flexible min.	0.5 mm ²
Conductor cross section flexible max.	1.5 mm ²
Conductor cross section solid min.	0.5 mm ²
Conductor cross section solid max.	1.5 mm ²
Conductor cross section AWG min.	20
Conductor cross section AWG max.	16

Cabel

Structure of individual litz in acc. with VDE 0295 / smallest wire diameter	VDE 0295 class 1 to 6/min. 0.15 mm
Wire insulation material	PVC/PE/TPE/rubber
Wire diameter including insulation	1.6 mm ... 3 mm
Conductor cross section	1.5 mm ²
Wire colors	black, brown, gray, blue, green/yellow
Position marking	1, 2, 3, N, PE

Ambient conditions

Degree of protection	IP66
	IP68 (2 m / 24 h)
	IP69K
Ambient temperature (operation)	-40 °C ... 100 °C
Ambient temperature (storage/transport)	-40 °C ... 100 °C
Temperature when conductor connected	-5 °C ... 50 °C

Electrical characteristics

Nominal current I _N	17.5 A
Nominal voltage U _N	690 V AC
	690 V DC
Rated current	17.5 A
Rated voltage (III/3)	690 V
Rated voltage (III/2)	1000 V
Rated voltage (II/2)	1000 V
Rated surge voltage (III/3)	6 kV
Rated surge voltage (III/2)	8 kV
Rated surge voltage (II/2)	8 kV

Mechanical characteristics

QUICKON connectability	max. 10
Category of shock impact	IK07

Material data

Contact material	Cu
Contact surface material	silver-plated
Contact carrier material	PA

Panel feed-through - QPD W 4PE1,5 M25 0,5 BK - 1414736

Technical data

Material data

Insulating material	PA
Flammability rating according to UL 94	V0
Overvoltage category	III
Degree of pollution	3

Standards and Regulations

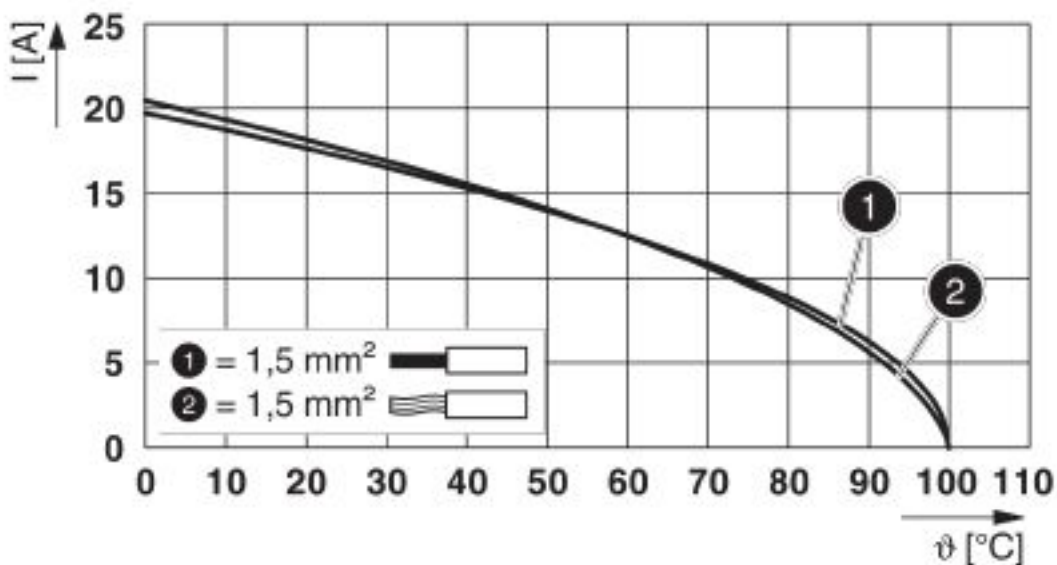
Category of shock impact	IK07
Flammability rating according to UL 94	V0

Environmental Product Compliance

China RoHS	Environmentally Friendly Use Period = 50 years
	For details about hazardous substances go to tab "Downloads", Category "Manufacturer's declaration"

Drawings

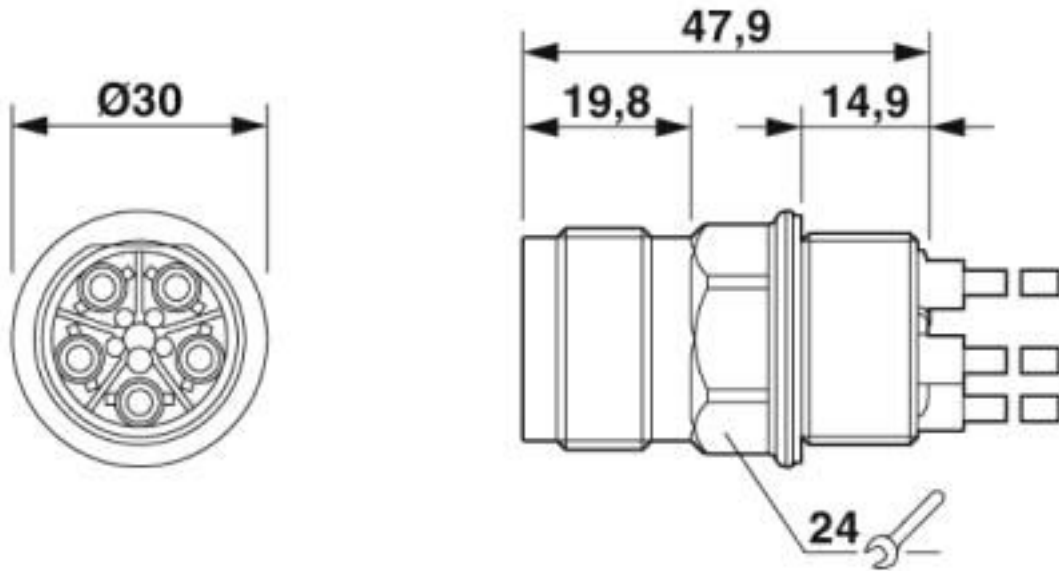
Diagram



Derating diagram

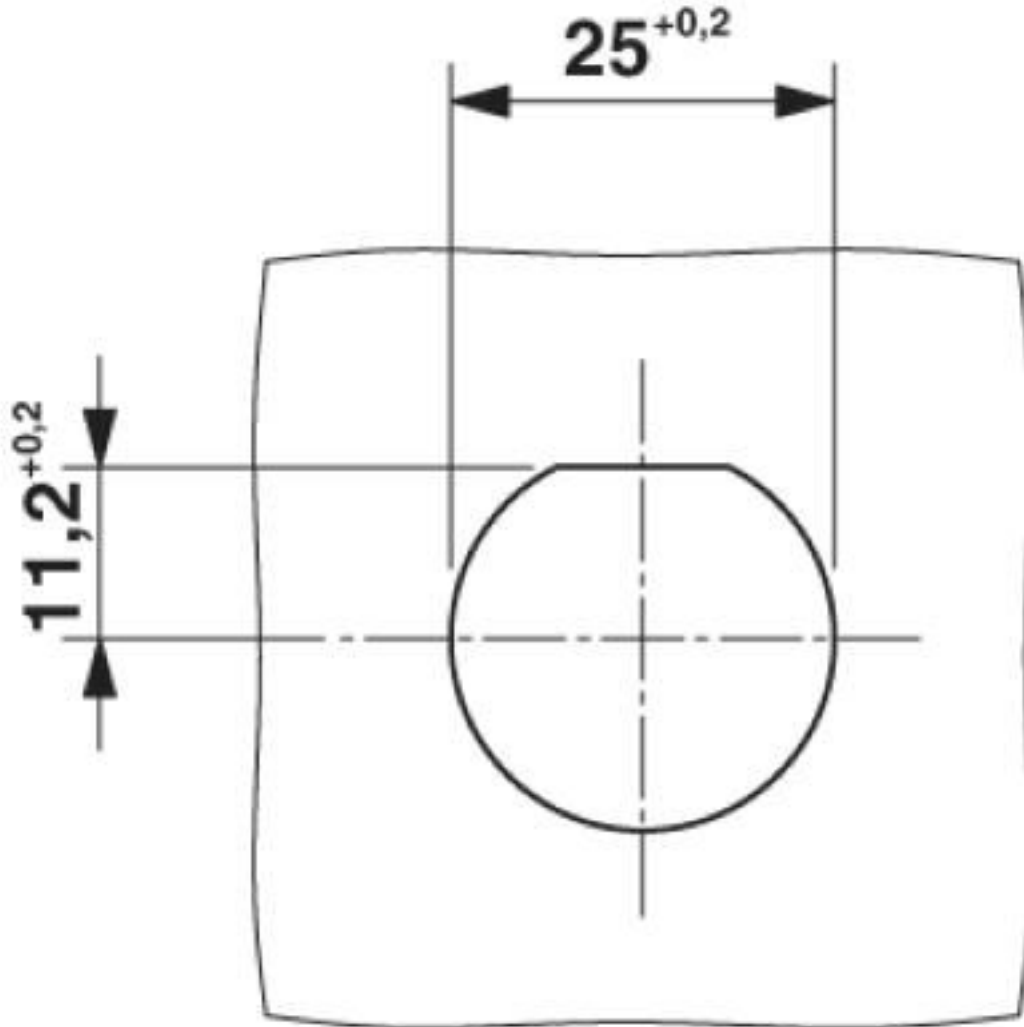
Panel feed-through - QPD W 4PE1,5 M25 0,5 BK - 1414736

Dimensional drawing



Panel feed-through - QPD W 4PE1,5 M25 0,5 BK - 1414736

Dimensional drawing



Panel cutout

Classifications

eCl@ss

eCl@ss 10.0.1	27440602
eCl@ss 4.0	27140800
eCl@ss 4.1	27140800
eCl@ss 5.0	27143400
eCl@ss 5.1	27143400
eCl@ss 6.0	27143400
eCl@ss 7.0	27440602
eCl@ss 8.0	27440602

Panel feed-through - QPD W 4PE1,5 M25 0,5 BK - 1414736

Classifications

eCl@ss

eCl@ss 9.0	27440602
------------	----------

ETIM

ETIM 5.0	EC002566
ETIM 6.0	EC002566
ETIM 7.0	EC002566

UNSPSC

UNSPSC 13.2	39121413
UNSPSC 18.0	39121522
UNSPSC 19.0	39121522
UNSPSC 20.0	39121522
UNSPSC 21.0	39121522

Approvals

Approvals

Approvals

EAC / EAC / DNV GL / IECCEB Scheme / VDE Zeichengenehmigung / UL Listed / cUL Listed / cULus Listed

Ex Approvals

Approval details

EAC		RU C- DE.AI30.B.01102
-----	--	--------------------------

EAC		RU C- DE.BL08.B.00511
-----	--	--------------------------

DNV GL		https://approvalfinder.dnvgl.com/	TAE00003J5
--------	--	---	------------

IECEE CB Scheme		http://www.iecee.org/	DE1-61559
-----------------	--	---	-----------

Panel feed-through - QPD W 4PE1,5 M25 0,5 BK - 1414736

Approvals

VDE Zeichengenehmigung		http://www2.vde.com/de/Institut/Online-Service/VDE-gepruefteProdukte/Seiten/Online-Suche.aspx	40029149
Nominal voltage UN	690 V		
Nominal current IN	17.5 A		
mm ² /AWG/kcmil	0.5-1.5		

UL Listed		http://database.ul.com/cgi-bin/XYV/template/LISEXT/1FRAME/index.htm	E468743
Nominal voltage UN	600 V		
Nominal current IN	8 A		
mm ² /AWG/kcmil	16		

cUL Listed		http://database.ul.com/cgi-bin/XYV/template/LISEXT/1FRAME/index.htm	E468743
Nominal voltage UN	600 V		
Nominal current IN	8 A		
mm ² /AWG/kcmil	16		

cULus Listed			
--------------	--	--	--

Accessories

Accessories

Coding element

Coding profile - CP-QPD 5X1,5 - 1414760



Coding profile red, for pushing into the QUICKON dome and connector, can be positioned in 90° steps.

Installation connector

Panel feed-through - QPD W 4PE1,5 M25 0,5 BK - 1414736

Accessories

Connector - QPD P 4PE1,5 5-10 BK - 1414749



Connector, QUICKON connection, number of positions: 4+PE, 0.5 mm² ... 1.5 mm², 690 V, 17.5 A, black, with QUICKON nut, cable diameter range: 6 mm ... 10 mm

Connector - QPD P 4PE1,5 9-14 BK - 1414750



Connector, QUICKON connection, number of positions: 4+PE, 0.5 mm² ... 1.5 mm², 690 V, 17.5 A, black, with QUICKON nut, cable diameter range: 10 mm ... 14 mm

Installation pressure nut

Nut - QPD N 4PE1,5 5-10 BK - 1415101



Nut, QUICKON connection, number of positions: 4+PE, 0.5 mm² ... 1.5 mm², 690 V, 17.5 A, black, cable diameter range: 6 mm ... 10 mm

Nut - QPD N 4PE1,5 9-14 BK - 1415104



Nut, QUICKON connection, number of positions: 4+PE, 0.5 mm² ... 1.5 mm², 690 V, 17.5 A, black, cable diameter range: 10 mm ... 14 mm

Mounting material

Nut - Q-MU M25 - 1640715



Nut (plastic) to lock the contact carrier from the inside of the device

Protective cap

Panel feed-through - QPD W 4PE1,5 M25 0,5 BK - 1414736

Accessories

Protective cap - QPD QSK 5X1,5 - 1414758



Protective cap plastic, for QPD-QUICKON connection 5x 1.5 mm², IP50

Protective cap - QPD QSK BK 5X1,5 FS - 1414728



Protective cap, plastic, for QUICKON connection, black, with retaining cord, IP68

Socket spanner

Socket wrench - QSS 22 - 1670206



Allen wrench, for loosening and fastening the QUICKON union nut, WAF 22 mm

Phoenix Contact 2020 © - all rights reserved
<http://www.phoenixcontact.com>

PHOENIX CONTACT GmbH & Co. KG
Flachsmarktstr. 8
32825 Blomberg
Germany
Tel. +49 5235 300
Fax +49 5235 3 41200
<http://www.phoenixcontact.com>

Mouser Electronics

Authorized Distributor

Click to View Pricing, Inventory, Delivery & Lifecycle Information:

[Phoenix Contact:](#)

[1414736](#)