

H distributor - QPD H 4PE6,0 4X9-14 GY - 1411428

Please be informed that the data shown in this PDF Document is generated from our Online Catalog. Please find the complete data in the user's documentation. Our General Terms of Use for Downloads are valid (<http://phoenixcontact.com/download>)



QUICKON H-distributor, gray, 4+PE-pos., 2.5 mm² ... 6.0 mm²/690 V/40 A, for cable diameter of 9 mm ... 14 mm, with a sealing bolt.

Your advantages

- Innovative and time saving - QUICKON fast connection for time saving of up to 80 % for on-site connection
- Convenient: quick and easy assembly without special tools
- Robust throughout: housing with IP68/IP69K and IK07 protection for a wide range of applications
- Safer connection thanks to polarization against mismatching and touch-proof protection according to DIN EN 0105
- Flexible and compact - by connecting connections internally, H and T-distributors can be used to branch master cables or they can be used as star distributors

Key Commercial Data

Packing unit	1 pc
GTIN	
GTIN	4046356932288

Technical data

General

Type	H-distributor
Color	gray
Locking type	Screw locking
Connection method	QUICKON connection
	IDC connection
Number of positions	5
Note number of positions	4+PE
Wrench size, union nut	30 mm
Tightening torque, union nut	15 Nm
Number of connections	5
Conductor cross section flexible min.	2.5 mm ²

H distributor - QPD H 4PE6,0 4X9-14 GY - 1411428

Technical data

General

Conductor cross section flexible max.	6 mm ²
Conductor cross section solid min.	2.5 mm ²
Conductor cross section solid max.	6 mm ²
Conductor cross section AWG min.	14
Conductor cross section AWG max.	10

Cabel

Structure of individual litz in acc. with VDE 0295 / smallest wire diameter	VDE 0295 class 1 to 6/min. 0.15 mm
Wire insulation material	PVC/PE/TPE/rubber
Wire diameter including insulation	2.95 mm ... 5 mm
External cable diameter	9 mm ... 14 mm
Position marking	1, 2, L, N, PE

Ambient conditions

Degree of protection	IP66
	IP68 (2 m / 24 h)
	IP69K
Ambient temperature (operation)	-40 °C ... 100 °C
Ambient temperature (storage/transport)	-40 °C ... 100 °C
Temperature when conductor connected	-5 °C ... 50 °C

Electrical characteristics

Nominal current I _N	40 A
Nominal voltage U _N	690 V
Rated current	40 A
Rated voltage (III/3)	690 V
Rated voltage (III/2)	1000 V
Rated voltage (II/2)	1000 V
Rated surge voltage (III/3)	6 kV
Rated surge voltage (III/2)	8 kV
Rated surge voltage (II/2)	8 kV

Mechanical characteristics

QUICKON connectability	max. 10
Category of shock impact	IK07

Material data

Contact material	Cu
Contact surface material	silver-plated
Contact carrier material	PA
Insulating material	PA
Flammability rating according to UL 94	V0
Overvoltage category	III

H distributor - QPD H 4PE6,0 4X9-14 GY - 1411428

Technical data

Material data

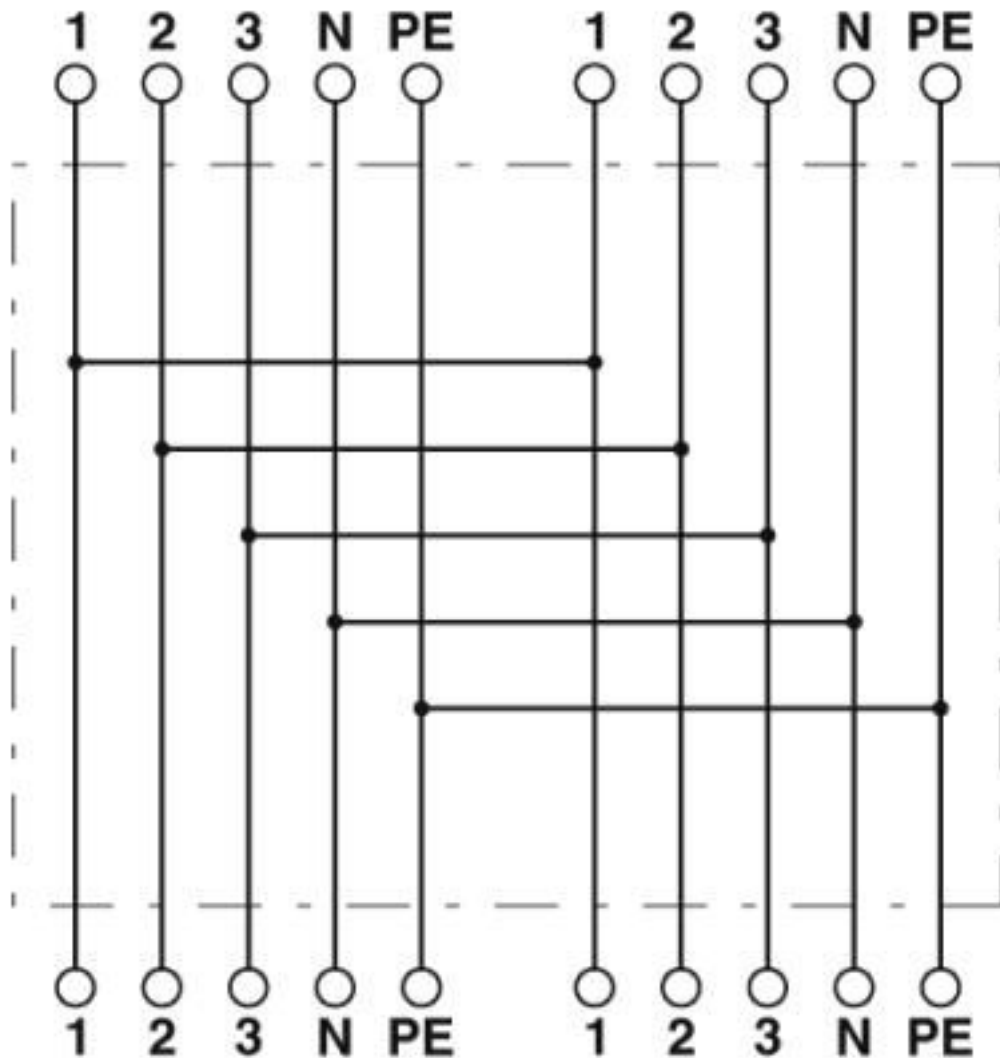
Degree of pollution	3
---------------------	---

Standards and Regulations

Category of shock impact	IK07
Flammability rating according to UL 94	V0

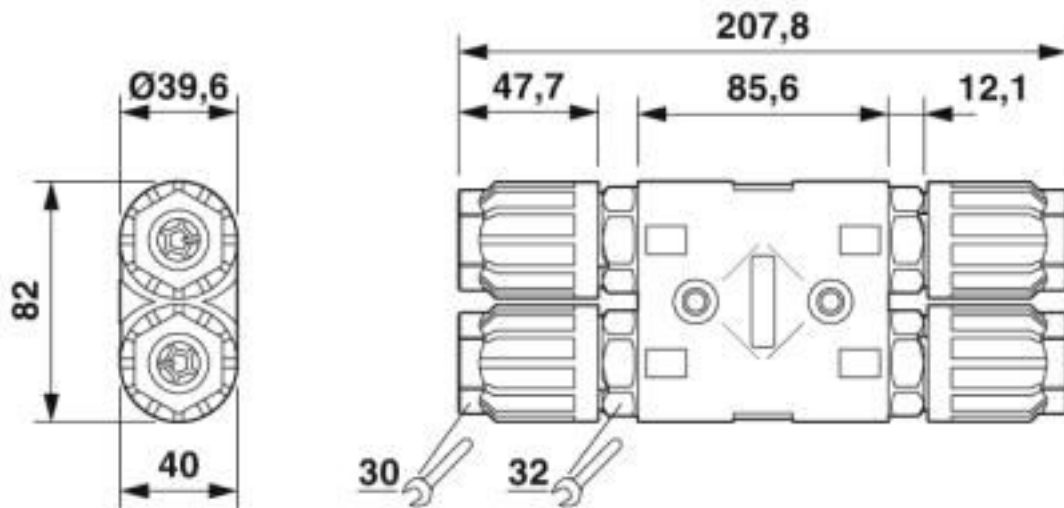
Drawings

Circuit diagram



H distributor - QPD H 4PE6,0 4X9-14 GY - 1411428

Dimensional drawing



Dimensional drawing

Classifications

eCl@ss

eCl@ss 5.1	27143400
eCl@ss 6.0	27143400
eCl@ss 7.0	27440603
eCl@ss 8.0	27440603
eCl@ss 9.0	27440603

ETIM

ETIM 4.0	EC000516
ETIM 5.0	EC002567
ETIM 6.0	EC002925

UNSPSC

UNSPSC 13.2	31251501
UNSPSC 19.0	31251501

Accessories

Accessories

Coding element

H distributor - QPD H 4PE6,0 4X9-14 GY - 1411428

Accessories

Coding profile - CP-QPD 5X6,0 - 1411402



Coding profile, red, for insertion into the 5-pos. QUICKON dome and connector, can be positioned in 72° increments.

Device marking

Engraving material - GPE 13X 9 WH - 0806932



Engraving material, Sheet, white, unlabeled, can be labeled with: PLOTMARK, ENGRAVING UNIT, CMS-P1-PLOTTER, P1 ENGRAVING UNIT, mounting type: adhesive, lettering field size: 13 x 9 mm, Number of individual labels: 120

Plastic label - EMLP (13X9)R - 0819453



Plastic label, Roll, white, unlabeled, can be labeled with: THERMOMARK ROLLMASTER 300/600, THERMOMARK X1.2, THERMOMARK ROLL X1, THERMOMARK ROLL 2.0, THERMOMARK ROLL, mounting type: adhesive, lettering field size: 13 x 9 mm, Number of individual labels: 500

Protective cap

Protective cap - QPD QSK 5X6,0 - 1411403



Protective cap, black plastic, for 5 x 2.5 mm² QPD connector, IP50.

Protective cap - QPD QSK GY 5X6,0 FS - 1411401

Protective cap, plastic, for QUICKON connection, gray, with retaining cord, IP68



Sealing plugs

H distributor - QPD H 4PE6,0 4X9-14 GY - 1411428

Accessories

Closing cap - SEALING PLUG 10X16 RD - 1400284



Closing cap, material: PA, for threads pluggable, color: red

Phoenix Contact 2020 © - all rights reserved
<http://www.phoenixcontact.com>

PHOENIX CONTACT GmbH & Co. KG
Flachsmarktstr. 8
32825 Blomberg
Germany
Tel. +49 5235 300
Fax +49 5235 3 41200
<http://www.phoenixcontact.com>

Mouser Electronics

Authorized Distributor

Click to View Pricing, Inventory, Delivery & Lifecycle Information:

[Phoenix Contact:](#)

[1411428](#)