

# Adapter - HC-D-TA-PG16-PLR-BK - 1411353


Please be informed that the data shown in this PDF Document is generated from our Online Catalog. Please find the complete data in the user's documentation. Our General Terms of Use for Downloads are valid (<http://phoenixcontact.com/download>)



EVO plastic adapter with bayonet locking, for EVO housing series D, for Pg16 screw connections.



## Key Commercial Data

Packing unit	1 pc
GTIN	 4 046356 929240
GTIN	4046356929240

## Technical data

### Ambient conditions

Degree of protection (IP)	IP66 (DIN IEC 60529)
Ambient temperature (operation)	-40 °C ... 125 °C

### General

Type of the screw connection	Pg16
Material	PA
Housing material	PA
Seal material	NBR
Sealing material	O-ring
Flammability rating according to UL 94	V2
Thread type on seal side	Pg16
Color	black

### Standards and Regulations

Flammability rating according to UL 94	V2
--	----

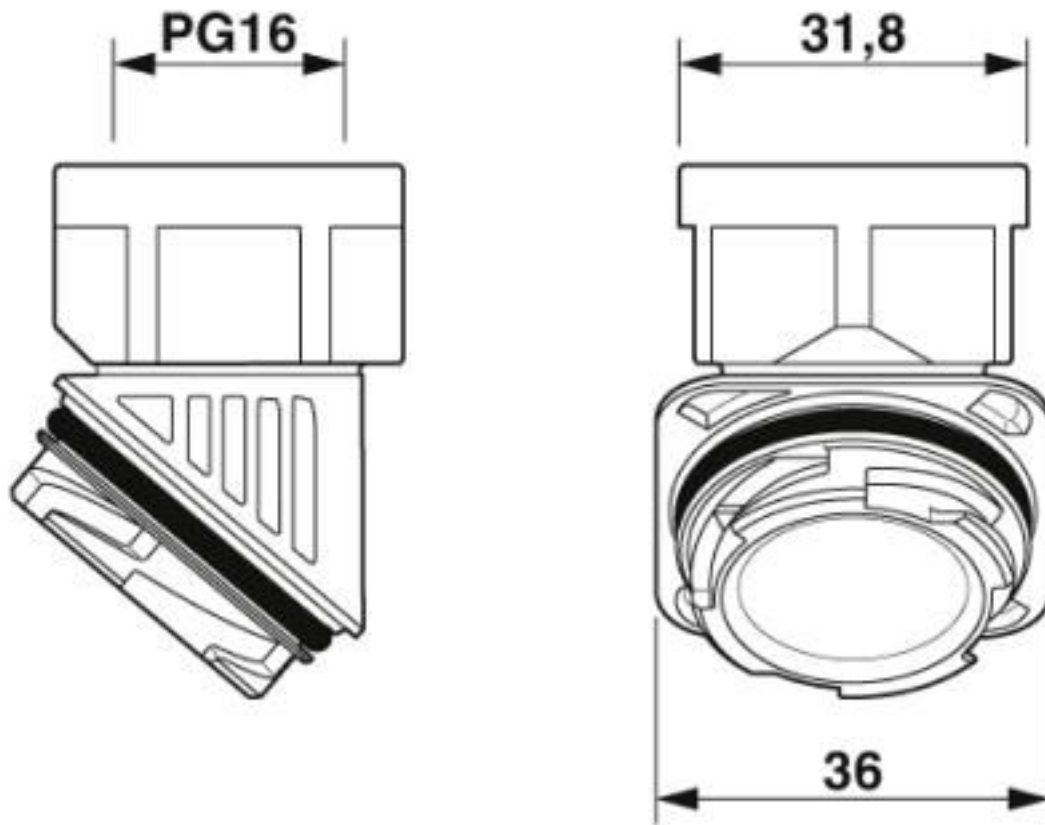
### Environmental Product Compliance

China RoHS	Environmentally friendly use period: unlimited = EFUP-e
	No hazardous substances above threshold values

# Adapter - HC-D-TA-PG16-PLR-BK - 1411353

## Drawings

Dimensional drawing



Dimensional drawing

## Classifications

eCl@ss

eCl@ss 10.0.1	27440192
eCl@ss 5.1	27261200
eCl@ss 6.0	27261200
eCl@ss 7.0	27440202
eCl@ss 8.0	27440202
eCl@ss 9.0	27440192

ETIM

ETIM 4.0	EC000516
ETIM 5.0	EC000516
ETIM 6.0	EC000437
ETIM 7.0	EC000437

# Adapter - HC-D-TA-PG16-PLR-BK - 1411353

## Classifications

### UNSPSC

UNSPSC 13.2	31261501
UNSPSC 18.0	39121421
UNSPSC 19.0	39121421
UNSPSC 20.0	39121421
UNSPSC 21.0	39121421

## Approvals

### Approvals

---

#### Approvals

EAC

---

#### Ex Approvals

---

### Approval details

EAC		RU C- DE.AI30.B.01102
-----	--	--------------------------

## Accessories

### Accessories

#### Corrugated pipe screw connection

Screw connection - WP-G HF IP66 PG16 BK - 3240891



Cable gland, Pg thread, IP66 protection, straight

#### Full screw connection

Cable gland - G-INS-PG16-M68N-PNES-BK - 1424499



Cable gland, cable gland material: PA, external cable diameter 10 mm ... 14 mm, shielding: no, connecting thread: Pg16, color: jet black RAL 9005

## Adapter - HC-D-TA-PG16-PLR-BK - 1411353

### Accessories

---

---

Phoenix Contact 2020 © - all rights reserved  
<http://www.phoenixcontact.com>

PHOENIX CONTACT GmbH & Co. KG  
Flachsmarktstr. 8  
32825 Blomberg  
Germany  
Tel. +49 5235 300  
Fax +49 5235 3 41200  
<http://www.phoenixcontact.com>

# Mouser Electronics

Authorized Distributor

Click to View Pricing, Inventory, Delivery & Lifecycle Information:

[Phoenix Contact:](#)

[1411353](#)