

Cable gland - HC-D-G-M20-PLRBK - 1411350

Please be informed that the data shown in this PDF Document is generated from our Online Catalog. Please find the complete data in the user's documentation. Our General Terms of Use for Downloads are valid (<http://phoenixcontact.com/download>)




EVO plastic cable gland with bayonet locking, for housing series D, size M20, cable diameter: 7 - 13 mm.



COMPLIANT

Key Commercial Data

Packing unit	1 pc
GTIN	 4 046356 929219
GTIN	4046356929219

Technical data

Dimensions

Wrench size, union nut	22 mm
External cable diameter	7 mm ... 13 mm

Ambient conditions

Degree of protection (IP)	IP66
Degree of protection (NEMA)	12 (UL 50e)
Ambient temperature (operation)	-40 °C ... 100 °C

General

Type of the screw connection	M20
No. of conductors	1
Material	PA
Cable gland material	PA
Material, pressure screw	PA
Seal material	NBR
Cable seal material	NBR
Sealing material	NBR (O-ring)
Flammability rating according to UL 94	V0 / V2
Shielded	no

Cable gland - HC-D-G-M20-PLRBK - 1411350

Technical data

General

Tightening torque, union nut	5.00 Nm
Color	black
Assembly instructions	Bayonet locking max. 3x can be removed

Standards and Regulations

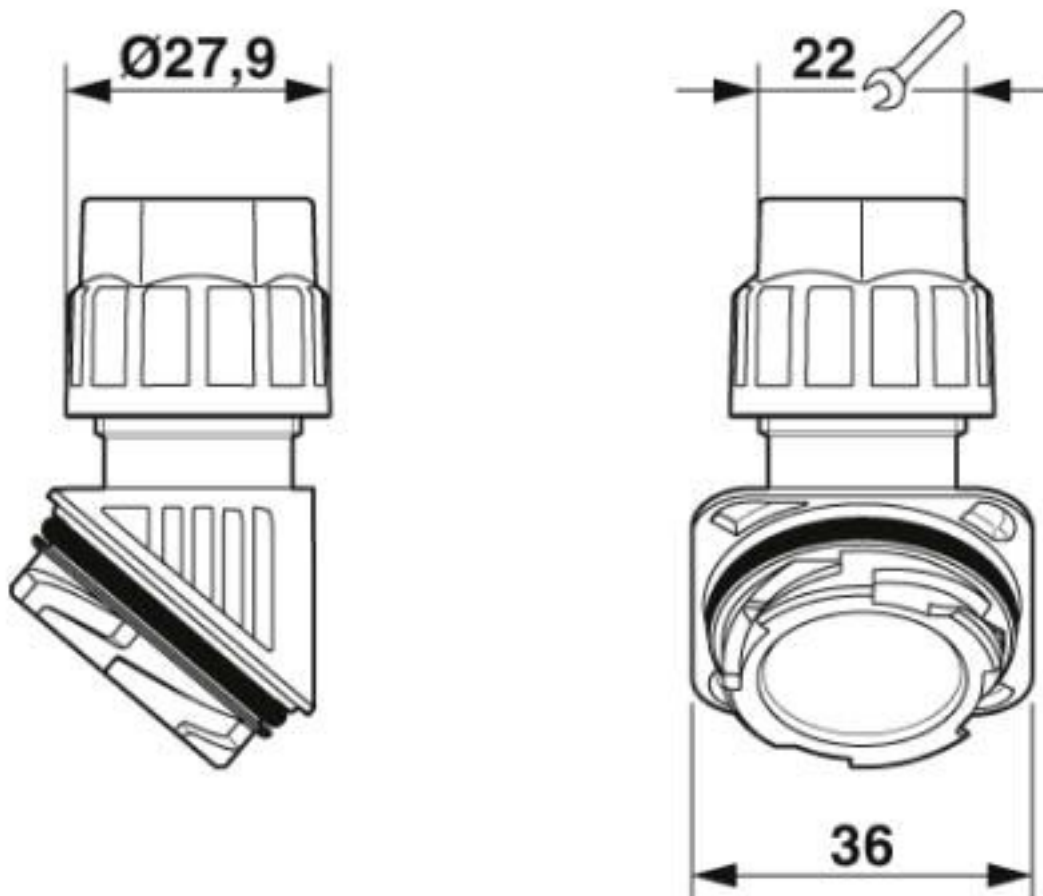
Flammability rating according to UL 94	V0 / V2
--	---------

Environmental Product Compliance

China RoHS	Environmentally friendly use period: unlimited = EFUP-e
	No hazardous substances above threshold values

Drawings

Dimensional drawing



Dimensional drawing

Cable gland - HC-D-G-M20-PLRBK - 1411350

Classifications

eCl@ss

eCl@ss 10.0.1	27144432
eCl@ss 4.0	27140800
eCl@ss 4.1	27140800
eCl@ss 5.0	27149100
eCl@ss 5.1	27143400
eCl@ss 6.0	27149100
eCl@ss 7.0	27149109
eCl@ss 8.0	27149109
eCl@ss 9.0	27144432

ETIM

ETIM 4.0	EC000441
ETIM 5.0	EC000441
ETIM 6.0	EC000441
ETIM 7.0	EC000441

UNSPSC

UNSPSC 13.2	39121311
UNSPSC 18.0	39121311
UNSPSC 19.0	39121311
UNSPSC 20.0	39121311
UNSPSC 21.0	39121311

Approvals


Approvals

Approvals

EAC-RoHS / EAC

Ex Approvals

Approval details

EAC-RoHS		RU D- DE.HB35.B.00387
----------	---	--------------------------

Cable gland - HC-D-G-M20-PLRBK - 1411350

Approvals

EAC



RU C-
DE.AI30.B.01102

Accessories

Accessories

Corrugated pipe screw connection

Corrugated tube screw connection - WP-GR HF CTA M20 BK - 3241220



Corrugated pipe adapter, with M20 internal thread, straight, black, IP66, for connecting corrugated pipes to HEAVYCON EVO plastic cable glands or ADVANCE plastic housing.

Sealing plugs

Closing cap - SEALING PLUG 12X22 RD - 1400260



Closing cap, material: PA, color: red

Phoenix Contact 2020 © - all rights reserved
<http://www.phoenixcontact.com>

PHOENIX CONTACT GmbH & Co. KG
Flachsmarktstr. 8
32825 Blomberg
Germany
Tel. +49 5235 300
Fax +49 5235 3 41200
<http://www.phoenixcontact.com>

Mouser Electronics

Authorized Distributor

Click to View Pricing, Inventory, Delivery & Lifecycle Information:

[Phoenix Contact:](#)

[1411350](#)