

Sensor/actuator cable - SAC-2P-SUSMS/ 3,0-PUR/SUSFS - 1410761


Please be informed that the data shown in this PDF Document is generated from our Online Catalog. Please find the complete data in the user's documentation. Our General Terms of Use for Downloads are valid (<http://phoenixcontact.com/download>)



Sensor/actuator cable, 2-position, PUR halogen-free, black-gray RAL 7021, Plug straight Superseal Clip locking, on Socket straight Superseal Clip locking, cable length: 3 m



Key Commercial Data

| | |
|--------------|---|
| Packing unit | 1 pc |
| GTIN |  4 046356 924498 |
| GTIN | 4046356924498 |

Technical data

Dimensions

| | |
|-----------------|-----|
| Length of cable | 3 m |
|-----------------|-----|

Ambient conditions

| | |
|---------------------------------|------------------------------|
| Ambient temperature (operation) | -20 °C ... 85 °C (Superseal) |
| Degree of protection | IP67 |

General

| | |
|------------------------------|--------------------|
| Rated current at 40°C | 8 A |
| Rated voltage | 24 V AC 24 V DC |
| Number of positions | 2 |
| Color handle area | black |
| Insulation resistance | ≥ 100 MΩ |
| Coding | A - standard |
| Status display | No |
| Protective circuit/component | unwired |

Material

| | |
|--|----|
| Flammability rating according to UL 94 | HB |
|--|----|

Sensor/actuator cable - SAC-2P-SUSMS/ 3,0-PUR/SUSFS - 1410761

Technical data

Material

| | |
|--------------------------|----------------------------|
| Contact material | CuZn (pin)/PhCuSn (socket) |
| Contact surface material | Nickel-plated |
| Contact carrier material | PA 6.6 |
| Material of grip body | PA |
| Material, knurls | not available |
| Sealing material | Silicon |

Standards and Regulations

| | |
|--|----|
| Flammability rating according to UL 94 | HB |
|--|----|

Cable

| | |
|---|---------------------------------------|
| Cable type | PUR halogen-free black |
| Cable type (abbreviation) | PUR |
| Cable abbreviation | Li9Y11Y |
| UL AWM style | 20549 / 10493 (80°C/300 V) |
| Conductor cross section | 2x 0.75 mm ² (Signal line) |
| AWG signal line | 18 |
| Conductor structure signal line | 42x 0.15 mm |
| Core diameter including insulation | 1.69 mm ±0.05 mm (Signal line) |
| Thickness, insulation | ≥ 0.21 mm |
| Wire colors | brown, blue |
| Overall twist | 2 wires, twisted |
| External sheath, color | black-gray RAL 7021 |
| Outer sheath thickness | ≥ 0.38 mm |
| External cable diameter D | 4.8 mm ±0.15 mm |
| Minimum bending radius, fixed installation | 5 x D |
| Minimum bending radius, flexible installation | 10 x D |
| Number of bending cycles | 4000000 |
| Bending radius | 48 mm |
| Traversing path | 10 m |
| Traversing rate | 3 m/s |
| Acceleration | 10 m/s ² |
| Cable weight | 33 kg/km |
| Outer sheath, material | PUR |
| Material conductor insulation | PP |
| Conductor material | Bare Cu litz wires |
| Insulation resistance | ≥ 1 GΩ*km (at 20 °C) |
| Conductor resistance | ≤ 26 Ω/km (at 20 °C) |
| Nominal voltage, cable | ≤ 300 V AC |
| Test voltage, cable | ≥ 3000 V AC (Spark test) |
| Special properties | flexible |
| | Flexible cable conduit capable |

Sensor/actuator cable - SAC-2P-SUSMS/ 3,0-PUR/SUSFS - 1410761

Technical data

Cable

| | |
|---------------------------------|--|
| Flame resistance | according to UL 758/1581 (horizontal) |
| | in accordance with UL 758/1581 FT2 |
| | according to DIN EN 60332-2-2 |
| Halogen-free | in accordance with DIN VDE 0472 part 815 |
| | in accordance with DIN EN 50267-2-1 |
| Resistance to oil | According to DIN EN 60811-2-1, 168 h at 100°C |
| | According to UL 758, 168 h at 60°C |
| Other resistance | hydrolysis and microbe resistant |
| | partly UV-resistant in accordance with DIN EN ISO 4892-2-A |
| | Low adhesion |
| | abrasion-resistant |
| Ambient temperature (operation) | -40 °C ... 80 °C (cable, fixed installation) |
| | -25 °C ... 80 °C (cable, flexible installation) |

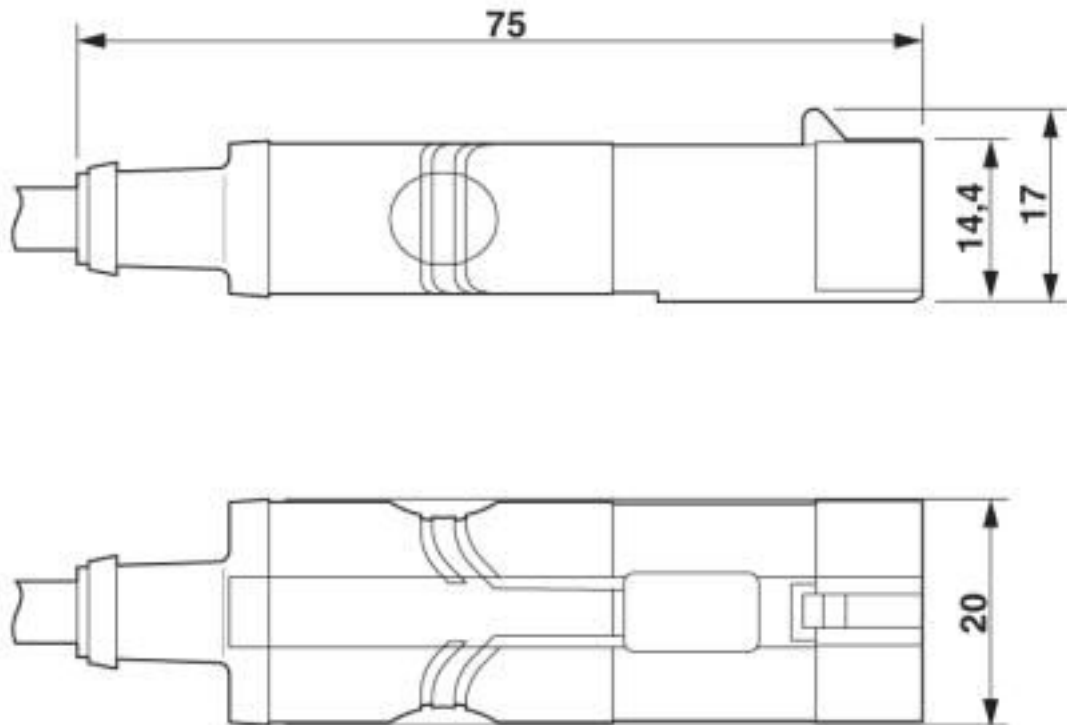
Environmental Product Compliance

| | |
|------------|---|
| China RoHS | Environmentally friendly use period: unlimited = EFUP-e |
| | No hazardous substances above threshold values |

Drawings

Sensor/actuator cable - SAC-2P-SUSMS/ 3,0-PUR/SUSFS - 1410761

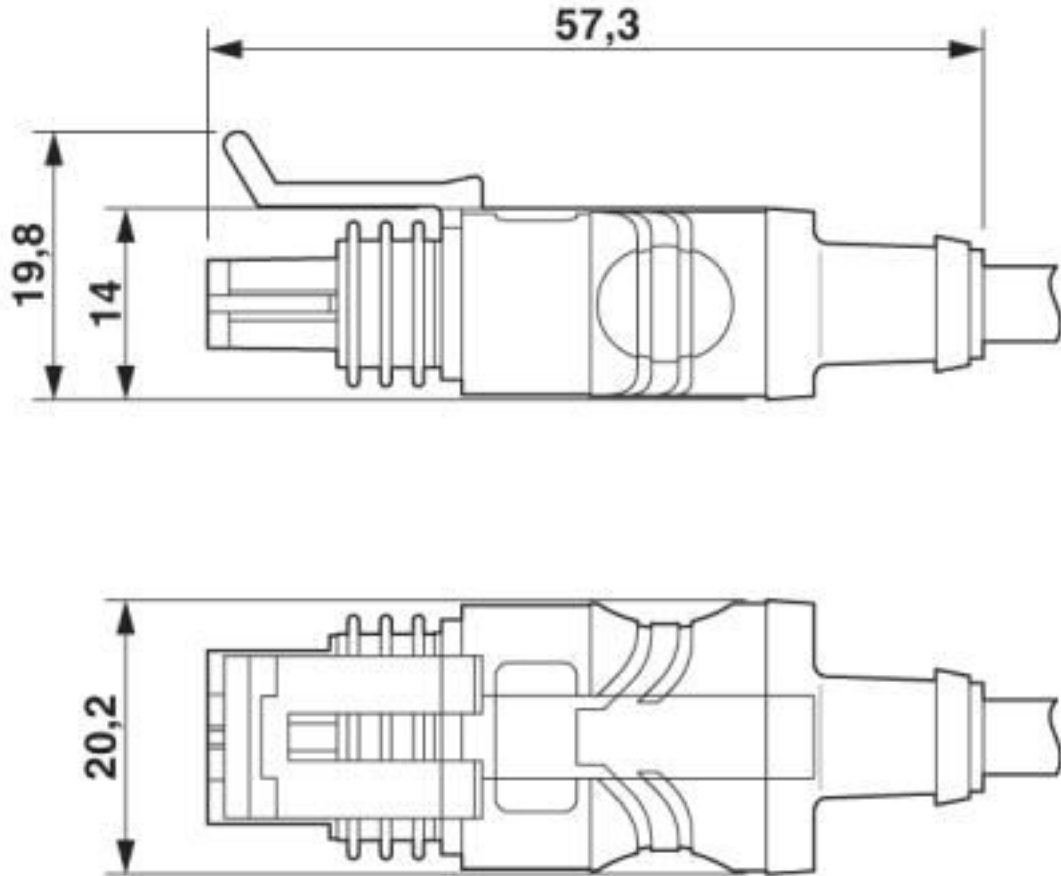
Dimensional drawing



Superseal, plug, view from above and side

Sensor/actuator cable - SAC-2P-SUSMS/ 3,0-PUR/SUSFS - 1410761

Dimensional drawing



Superseal, socket, view from above and side

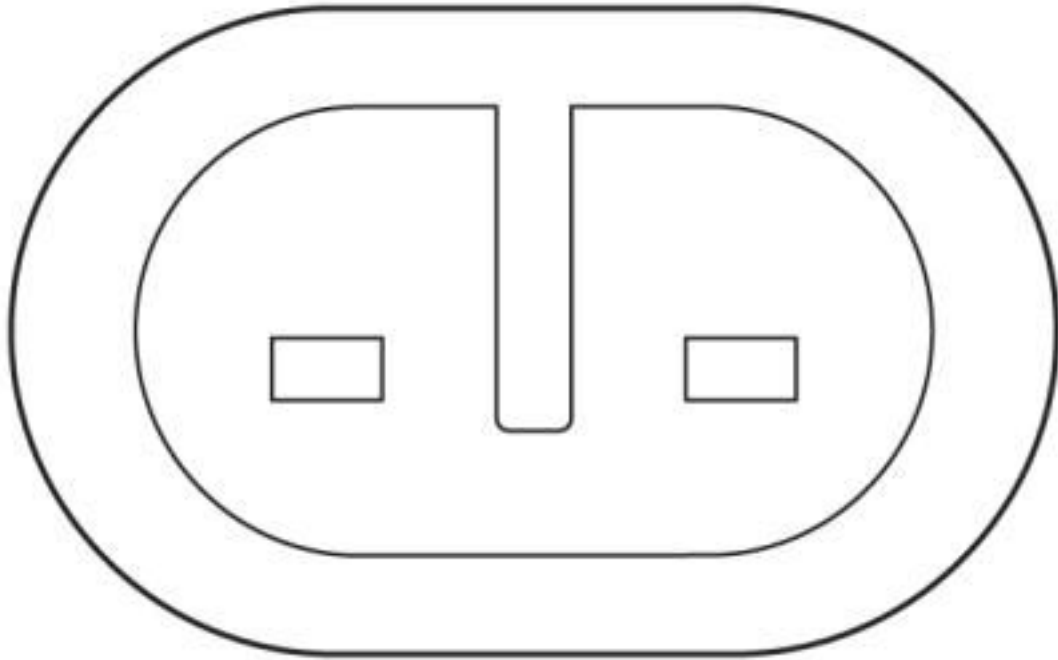
Circuit diagram



Contact assignment of the super seal plug to the super seal socket

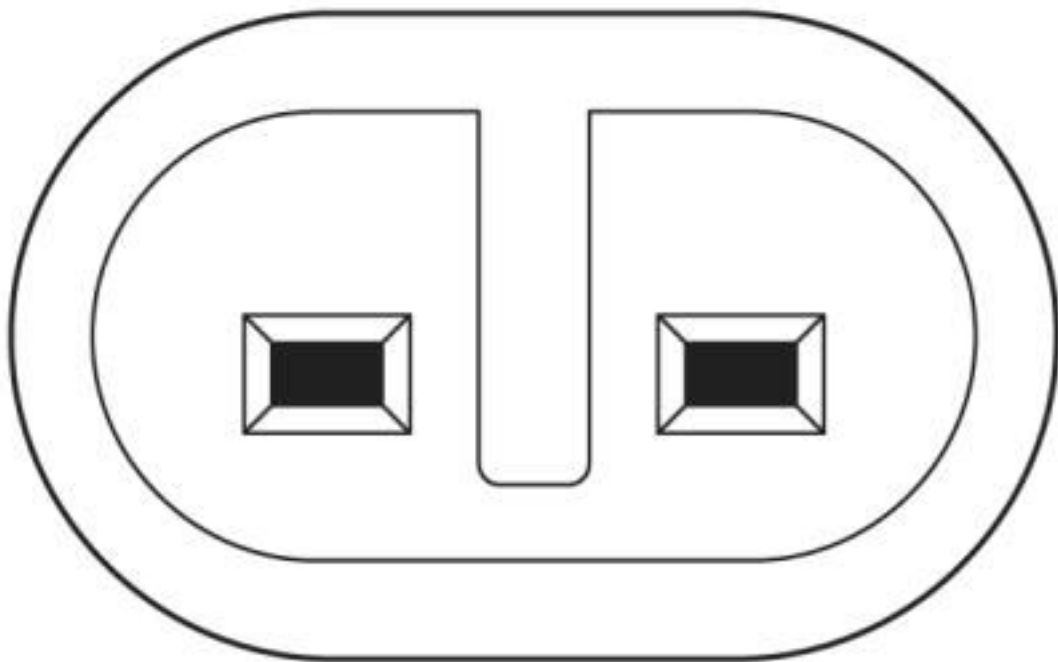
Sensor/actuator cable - SAC-2P-SUSMS/ 3,0-PUR/SUSFS - 1410761

Schematic diagram



Super seal plug pin assignment, 2-pos.

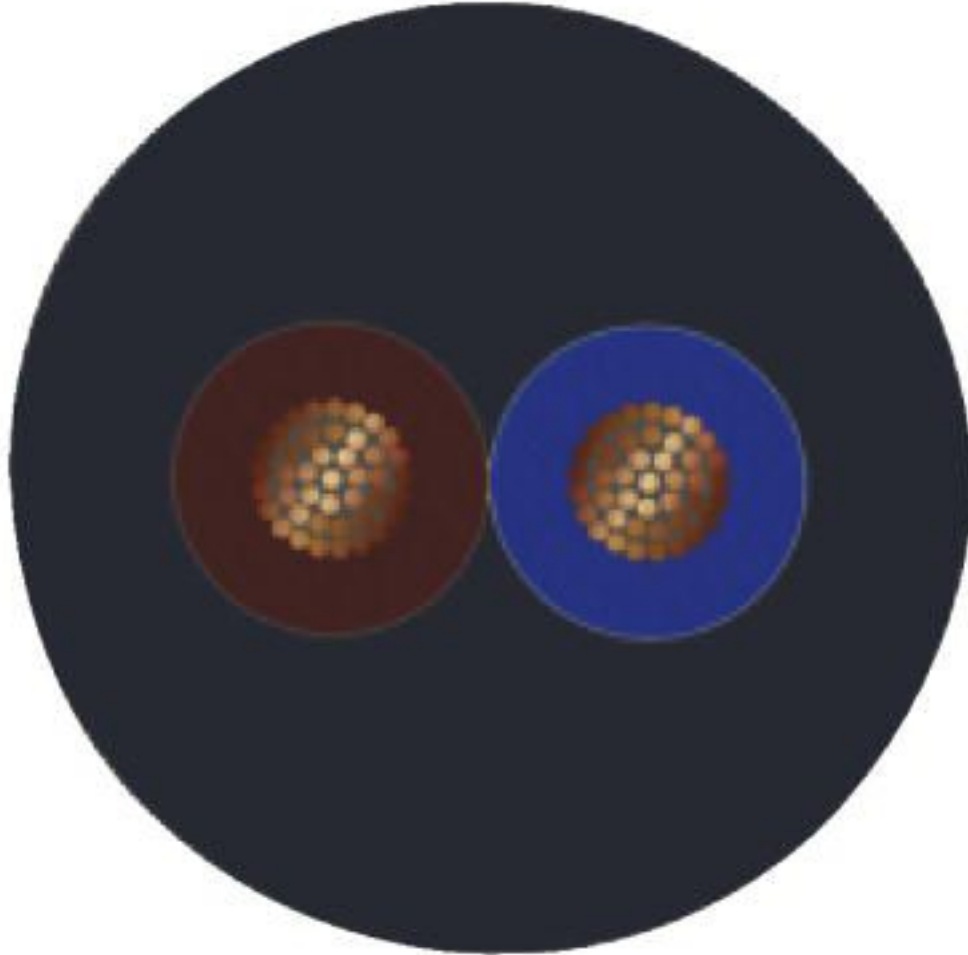
Schematic diagram



Super seal socket pin assignment, 2-pos.

Sensor/actuator cable - SAC-2P-SUSMS/ 3,0-PUR/SUSFS - 1410761

Cable cross section



PUR halogen-free black [PUR]

Classifications

eCl@ss

| | |
|---------------|----------|
| eCl@ss 10.0.1 | 27060311 |
| eCl@ss 4.0 | 27060300 |
| eCl@ss 4.1 | 27060300 |
| eCl@ss 5.0 | 27061800 |
| eCl@ss 5.1 | 27061800 |
| eCl@ss 6.0 | 27279200 |
| eCl@ss 7.0 | 27279218 |
| eCl@ss 8.0 | 27279218 |
| eCl@ss 9.0 | 27060311 |

Sensor/actuator cable - SAC-2P-SUSMS/ 3,0-PUR/SUSFS - 1410761

Classifications

ETIM

| | |
|----------|----------|
| ETIM 4.0 | EC001855 |
| ETIM 5.0 | EC001855 |
| ETIM 6.0 | EC001855 |
| ETIM 7.0 | EC001855 |

UNSPSC

| | |
|-------------|----------|
| UNSPSC 13.2 | 31251501 |
| UNSPSC 19.0 | 31251501 |
| UNSPSC 20.0 | 31251501 |
| UNSPSC 21.0 | 31251501 |

Approvals

Approvals

Approvals

EAC-RoHS / EAC

Ex Approvals

Approval details

| | | |
|----------|--|--------------------------|
| EAC-RoHS | | RU D- DE.HB35.B.00387 |
|----------|--|--------------------------|

| | | |
|-----|--|--------------------------|
| EAC | | RU C- DE.BL08.B.00286 |
|-----|--|--------------------------|

Accessories

Accessories

Conductor marking

Insert label - PABA WH/23 - 1013779



Insert label, Strip, white, unlabeled, can be labeled with: CMS-P1-PLOTTER, mounting type: thread on, cable diameter range: 1.5 ... 35 mm, lettering field size: 23 x 4 mm, Number of individual labels: 20

Sensor/actuator cable - SAC-2P-SUSMS/ 3,0-PUR/SUSFS - 1410761

Accessories

Insert label - PABA YE/23 - 1013782



Insert label, Strip, yellow, unlabeled, can be labeled with: CMS-P1-PLOTTER, mounting type: thread on, cable diameter range: 1.5 ... 35 mm, lettering field size: 23 x 4 mm, Number of individual labels: 20

Corrugated pipe

Protective hose - WP-PA HF 13,0 BK - 3240681



Polyamide protective hose, inflammability class V0, UV resistant

Protective hose - WP-PA HF-HB 13,0 BK - 3240839



Polyamide protective hose, inflammability class HB, UV resistant

Cutting tools

Diagonal cutter - CUTFOX-S VDE - 1212207



Diagonal cutter for hard (piano wire) and soft wires, VDE 1000 V AC/1500 V DC tested

Marker pen

Marker pen - B-STIFT - 1051993



Marker pen, for manual labeling of unprinted Zack strips, smear-proof and waterproof, line thickness 0.5 mm

Sensor/actuator cable - SAC-2P-SUSMS/ 3,0-PUR/SUSFS - 1410761

Accessories

Stripping tool

Stripping tool - WIREFOX SAC-1 - 1212757



Stripping pliers, for halogen-free sensor/actuator cables (SAC cables), with PUR and PVC insulation, from Ø of 3.2 to 4.4 mm, any stripping length

Stripping tool - WIREFOX SAC - 1212623



Stripping pliers, for halogen-free sensor/actuator cables (SAC cables), with PUR and PVC insulation, from Ø of 4.4 to 7 mm, any stripping length

Stripping tool - WIREFOX 10 - 1212150



Stripping tool, for cables and conductors from 0.02 - 10 mm², self-adjusting, stripping length of up to 18 mm, cutting capacity of up to 10 mm² stranded/1.5 mm² solid, replaceable stripping blade

Protective hose adapter - WP-CTA POM 13,0 BK - 1422884



Protective hose adapter, for corrugated hoses with a nominal size of 13 (10 x 13), corrugated in parallel

Phoenix Contact 2020 © - all rights reserved
<http://www.phoenixcontact.com>

PHOENIX CONTACT GmbH & Co. KG
Flachsmarktstr. 8
32825 Blomberg
Germany
Tel. +49 5235 300
Fax +49 5235 3 41200
<http://www.phoenixcontact.com>

Mouser Electronics

Authorized Distributor

Click to View Pricing, Inventory, Delivery & Lifecycle Information:

[Phoenix Contact:](#)

[1410761](#)