

# Cable gland - HC-B-G-M20-PLRBK - 1407669

Please be informed that the data shown in this PDF Document is generated from our Online Catalog. Please find the complete data in the user's documentation. Our General Terms of Use for Downloads are valid (<http://phoenixcontact.com/download>)



EVO plastic cable gland with bayonet locking, for housing series B, size M20, cable diameter: 7 ... 13 mm



## Key Commercial Data

Packing unit	1 pc
GTIN	
GTIN	4046356776370

## Technical data

### Dimensions

Wrench size, union nut	22 mm
External cable diameter	7 mm ... 13 mm

### Ambient conditions

Degree of protection (IP)	IP66
Degree of protection (NEMA)	12 (UL 50e)
Ambient temperature (operation)	-40 °C ... 100 °C

### General

Type of the screw connection	M20
No. of conductors	1
Material	PA
Cable gland material	PA
Material, pressure screw	PA
Seal material	NBR
Cable seal material	NBR
Sealing material	NBR (O-ring)
Flammability rating according to UL 94	V0 (Seal)
	V2 (Housing)

# Cable gland - HC-B-G-M20-PLRBK - 1407669

## Technical data

### General

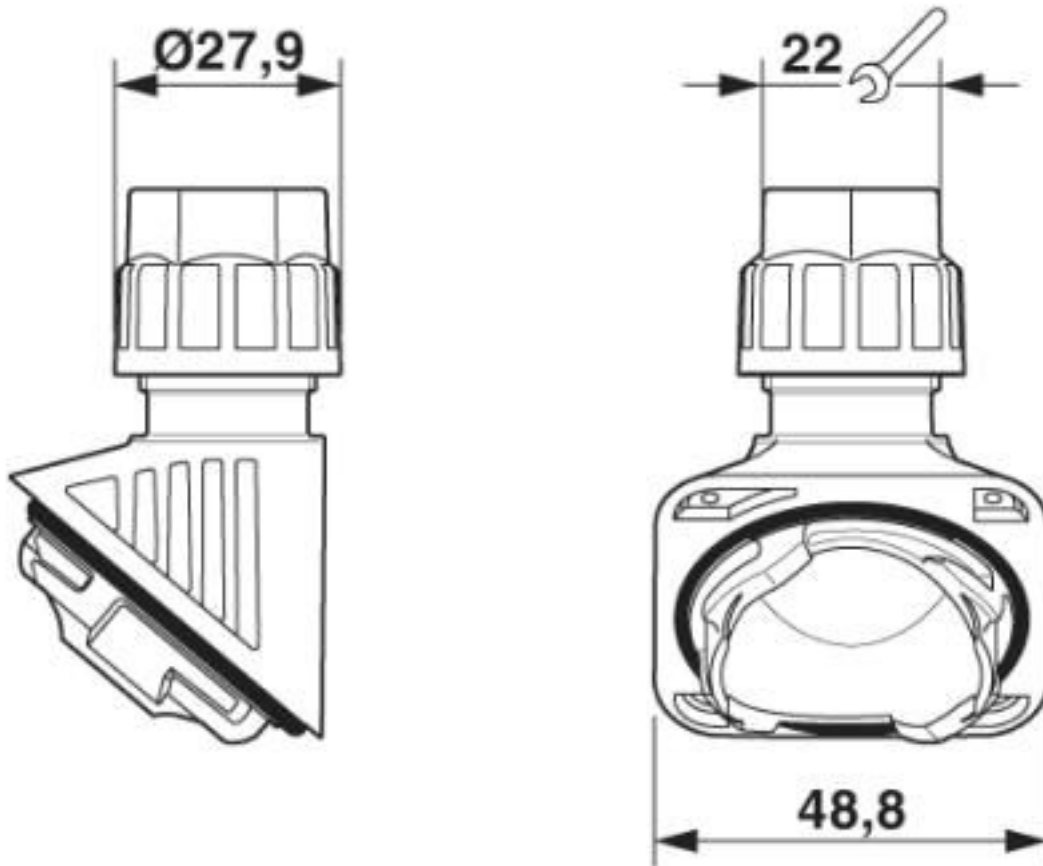
Shielded	no
Tightening torque, union nut	5.00 Nm
Color	black
Assembly instructions	Bayonet locking max. 3x can be removed

### Environmental Product Compliance

China RoHS	Environmentally friendly use period: unlimited = EFUP-e
	No hazardous substances above threshold values

## Drawings

Dimensional drawing



Dimensional drawing

## Classifications

eCl@ss

eCl@ss 10.0.1	27144432
---------------	----------

# Cable gland - HC-B-G-M20-PLRBK - 1407669

## Classifications

### eCl@ss

eCl@ss 4.0	27140800
eCl@ss 4.1	27140800
eCl@ss 5.0	27149100
eCl@ss 5.1	27143400
eCl@ss 6.0	27149100
eCl@ss 7.0	27149109
eCl@ss 8.0	27149109
eCl@ss 9.0	27144432

### ETIM

ETIM 3.0	EC000441
ETIM 4.0	EC000441
ETIM 5.0	EC000441
ETIM 6.0	EC000441
ETIM 7.0	EC000441

### UNSPSC

UNSPSC 6.01	31261502
UNSPSC 7.0901	31261502
UNSPSC 11	31261502
UNSPSC 12.01	31261502
UNSPSC 13.2	39121311
UNSPSC 18.0	39121311
UNSPSC 19.0	39121311
UNSPSC 20.0	39121311
UNSPSC 21.0	39121311

## Approvals

### Approvals

---

#### Approvals

UL Recognized / cUL Recognized / DNV GL / EAC-RoHS / EAC / cULus Recognized

---

#### Ex Approvals

---

### Approval details

# Cable gland - HC-B-G-M20-PLRBK - 1407669

## Approvals

UL Recognized		<a href="http://database.ul.com/cgi-bin/XYV/template/LISEXT/1FRAME/index.htm">http://database.ul.com/cgi-bin/XYV/template/LISEXT/1FRAME/index.htm</a>	E255026
cUL Recognized		<a href="http://database.ul.com/cgi-bin/XYV/template/LISEXT/1FRAME/index.htm">http://database.ul.com/cgi-bin/XYV/template/LISEXT/1FRAME/index.htm</a>	E255026
DNV GL		<a href="https://approvalfinder.dnvgl.com/">https://approvalfinder.dnvgl.com/</a>	TAE000037S
EAC-RoHS			RU D- DE.HB35.B.00387
EAC			RU C- DE.AI30.B.01102
cULus Recognized			

## Accessories

### Accessories

#### Corrugated pipe screw connection

Corrugated tube screw connection - WP-GR HF CTA M20 BK - 3241220



Corrugated pipe adapter, with M20 internal thread, straight, black, IP66, for connecting corrugated pipes to HEAVYCON EVO plastic cable glands or ADVANCE plastic housing.

---

## Sealing plugs

## Cable gland - HC-B-G-M20-PLRBK - 1407669

### Accessories

Closing cap - SEALING PLUG 12X22 RD - 1400260



Closing cap, material: PA, color: red

---

Phoenix Contact 2020 © - all rights reserved  
<http://www.phoenixcontact.com>

PHOENIX CONTACT GmbH & Co. KG  
Flachsmarktstr. 8  
32825 Blomberg  
Germany  
Tel. +49 5235 300  
Fax +49 5235 3 41200  
<http://www.phoenixcontact.com>

# Mouser Electronics

Authorized Distributor

Click to View Pricing, Inventory, Delivery & Lifecycle Information:

[Phoenix Contact:](#)

[1407669](#)