

# Terminal outlet - VS-TO-RO-MCBK-F1411/1411 - 1404281

Please be informed that the data shown in this PDF Document is generated from our Online Catalog. Please find the complete data in the user's documentation. Our General Terms of Use for Downloads are valid (<http://phoenixcontact.com/download>)

Terminal outlet RJ45 IP65/67 Push-Pull, 2 slots version 14, with protective plugs, 2 cable entries




Terminal outlet 2 x RJ45

## Your advantages

- ✓ Easy installation, thanks to captive cover screws
- ✓ Robust design
- ✓ Including covers to protect against environmental influences
- ✓ Integrated cable management system
- ✓ For the connection of 2x RJ45 IP65/67 push-pull connectors



## Key Commercial Data

Packing unit	1 pc
GTIN	 4 046356 305389
GTIN	4046356305389

## Technical data

### Ambient conditions

Ambient temperature (operation)	-40 °C ... 70 °C
---------------------------------	------------------

### General data

Rated current at 40°C	1 A
Rated voltage	48 V
Rated voltage (III/3)	72 V (DC)
Housing material	Aluminum cast alloy, powder-coated
Degree of protection	IP65/IP67
Number of slots	2
Transmission characteristics (category)	CAT6

## Environmental Product Compliance

# Terminal outlet - VS-TO-RO-MCBK-F1411/1411 - 1404281

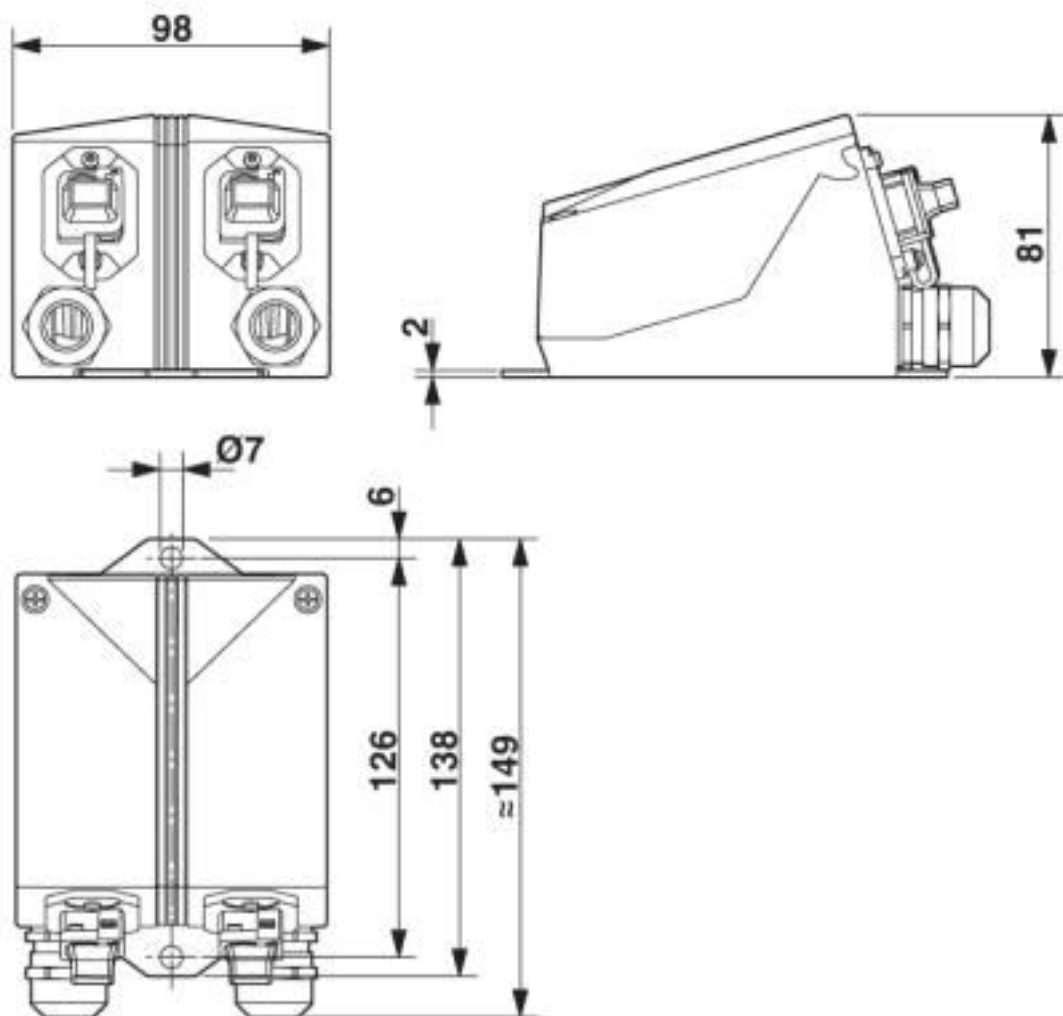
## Technical data

### Environmental Product Compliance

REACH SVHC	Lead 7439-92-1
China RoHS	Environmentally Friendly Use Period = 50 years
	For details about hazardous substances go to tab "Downloads", Category "Manufacturer's declaration"

## Drawings

Dimensional drawing



Terminal outlet 2 x RJ45

## Classifications

eCl@ss

eCl@ss 10.0.1	27440318
---------------	----------

# Terminal outlet - VS-TO-RO-MCBK-F1411/1411 - 1404281

## Classifications

### eCl@ss

eCl@ss 4.0	27260700
eCl@ss 4.1	27260700
eCl@ss 5.0	27260700
eCl@ss 5.1	27269200
eCl@ss 6.0	27269200
eCl@ss 7.0	27449203
eCl@ss 8.0	27440318
eCl@ss 9.0	27440318

### ETIM

ETIM 3.0	EC001121
ETIM 4.0	EC002598
ETIM 5.0	EC002597
ETIM 6.0	EC002597
ETIM 7.0	EC002597

### UNSPSC

UNSPSC 6.01	31261501
UNSPSC 7.0901	31261501
UNSPSC 11	31261501
UNSPSC 12.01	31261501
UNSPSC 13.2	31261501
UNSPSC 18.0	31261501
UNSPSC 19.0	31261501
UNSPSC 20.0	31261501
UNSPSC 21.0	31261501

## Approvals

### Approvals

---

Approvals

EAC

---

Ex Approvals

---

### Approval details

# Terminal outlet - VS-TO-RO-MCBK-F1411/1411 - 1404281

## Approvals

EAC		B.01687
-----	--	---------

## Accessories

### Accessories

#### Data plug

RJ45 connector - VS-PPC-C1-RJ45-MNNA-PG9-8Q5 - 1608016



Push-pull connector (version 14), metal, with 8-pos. RJ45 QUICKON connector insert, with QUICKON fast connection technology, for 26 ... 22 AWG 1-wire and 7-wire conductors, for 5.0 mm ... 8.0 mm cable diameter

RJ45 connector - VS-PPC-C1-RJ45-POBK-PG9-8Q5 - 1657834



RJ45 connector, IP67, with push/pull interlocking, plastic housing, 1 Gbps, 8-pos., QUICKON fast connection technology, for 26 ... 24 AWG 1-wire and 7-wire conductors

RJ45 connector - VS-PPC-C1-RJ45-MNNA-PG9-4Q5 - 1608100



RJ45 connector, degree of protection: IP65/IP67, number of positions: 4, 100 Mbps, CAT5 (IEC 11801:2002), material: Zinc die-cast, connection method: IDC fast connection, connection cross section: AWG 26- 22, cable outlet: straight, color: silver

RJ45 connector - VS-PPC-C1-RJ45-POBK-PG9-4Q5 - 1608126



RJ45 connector, IP67, with push-pull interlocking, plastic housing, CAT5e, 4-pos., with QUICKON fast connection technology, for 1-wire and 7-wire conductors AWG 26 ... 22, for cable cross section 5.0 mm ... 8.0 mm

## Terminal outlet - VS-TO-RO-MCBK-F1411/1411 - 1404281

### Accessories

RJ45 connector - VS-PPC-C1-RJ45-MNNA-PG9-8I6 - 1608113



RJ45 connector, IP67, with push/pull interlocking (version 14), metal housing, for 1 Gbps, for 24 ... 25 AWG stranded conductors

RJ45 connector - VS-PPC-C1-RJ45-POBK-PG9-8I6 - 1608139



RJ45 connector, IP67, with push/pull interlocking (version 14), plastic housing, for 1 Gigabit, for 24 ... 25 AWG stranded conductors

Stripping tool - VS-CABLE-STRIP-VARIO - 1657407



Stripping tool, for the multi-level stripping of shielded cables

Phoenix Contact 2020 © - all rights reserved  
<http://www.phoenixcontact.com>

PHOENIX CONTACT GmbH & Co. KG  
Flachsmarktstr. 8  
32825 Blomberg  
Germany  
Tel. +49 5235 300  
Fax +49 5235 3 41200  
<http://www.phoenixcontact.com>

# Mouser Electronics

Authorized Distributor

Click to View Pricing, Inventory, Delivery & Lifecycle Information:

[Phoenix Contact:](#)

[1404281](#)