

## Panel feed-through - QPD W 4PE2,5 M20 0,5 GY - 1403738

Please be informed that the data shown in this PDF Document is generated from our Online Catalog. Please find the complete data in the user's documentation. Our General Terms of Use for Downloads are valid (<http://phoenixcontact.com/download>)



Panel feed-through, QUICKON connection, number of positions: 4+PE, 1 mm<sup>2</sup> ... 2.5 mm<sup>2</sup>, 690 V, 20 A, gray, without QUICKON nut, cable diameter range: 6 mm ... 10 mm, assembly thread: M20, Single wires (welded-on), 2.5 mm<sup>2</sup>, wires cut flat at the end, cable length: 0.5 m

RoHS

### Key Commercial Data

Packing unit	1 pc
GTIN	
GTIN	4046356665124

### Technical data

#### General

Type	QPD 5x2,5
Length of cable	0.5 m
Color	gray
Locking type	Screw locking
Connection method	QUICKON connection
	IDC connection
Number of positions	5
Note number of positions	4+PE
Wrench size, union nut	27 mm
Tightening torque, union nut	10 Nm
Tightening torque, counter nut	5 Nm
Wrench size, counter nut	30 mm
Number of connections	10
Conductor cross section flexible min.	1 mm <sup>2</sup>
Conductor cross section flexible max.	2.5 mm <sup>2</sup>
Conductor cross section solid min.	1 mm <sup>2</sup>
Conductor cross section solid max.	2.5 mm <sup>2</sup>

# Panel feed-through - QPD W 4PE2,5 M20 0,5 GY - 1403738

## Technical data

### General

Conductor cross section AWG min.	16
Conductor cross section AWG max.	14

### Cabel

Structure of individual litz in acc. with VDE 0295 / smallest wire diameter	VDE 0295 class 1 to 6/min. 0.15 mm
Wire insulation material	PVC / PE
Wire diameter including insulation	2 mm ... 3.8 mm
External cable diameter	6 mm ... 10 mm
Conductor cross section	2.5 mm <sup>2</sup>
Wire colors	black, brown, gray, blue, green/yellow
Position marking	1, 2, L, N, PE
Contact   Color (signal designation)   Contact (optional)	1   BK
	2   BN
	3   GY
	N   BU
	PE   GN/YE

### Ambient conditions

Degree of protection	IP66
	IP68 (2 m / 24 h)
	IP69K
Ambient temperature (operation)	-40 °C ... 100 °C
Ambient temperature (storage/transport)	-40 °C ... 80 °C
Temperature when conductor connected	-5 °C ... 50 °C

### Electrical characteristics

Nominal current I <sub>N</sub>	20 A
Nominal voltage U <sub>N</sub>	690 V AC
	690 V DC
Rated current	20 A
Rated voltage (III/3)	690 V
Rated voltage (III/2)	1000 V
Rated voltage (II/2)	1000 V
Rated surge voltage (III/3)	6 kV
Rated surge voltage (III/2)	8 kV
Rated surge voltage (II/2)	8 kV

### Mechanical characteristics

QUICKON connectability	max. 10
Category of shock impact	IK07

### Material data

Contact material	Cu
------------------	----

# Panel feed-through - QPD W 4PE2,5 M20 0,5 GY - 1403738

## Technical data

### Material data

Contact surface material	silver-plated
Contact carrier material	PA
Insulating material	PA
Flammability rating according to UL 94	V0
Overvoltage category	III
Degree of pollution	3

### Standards and Regulations

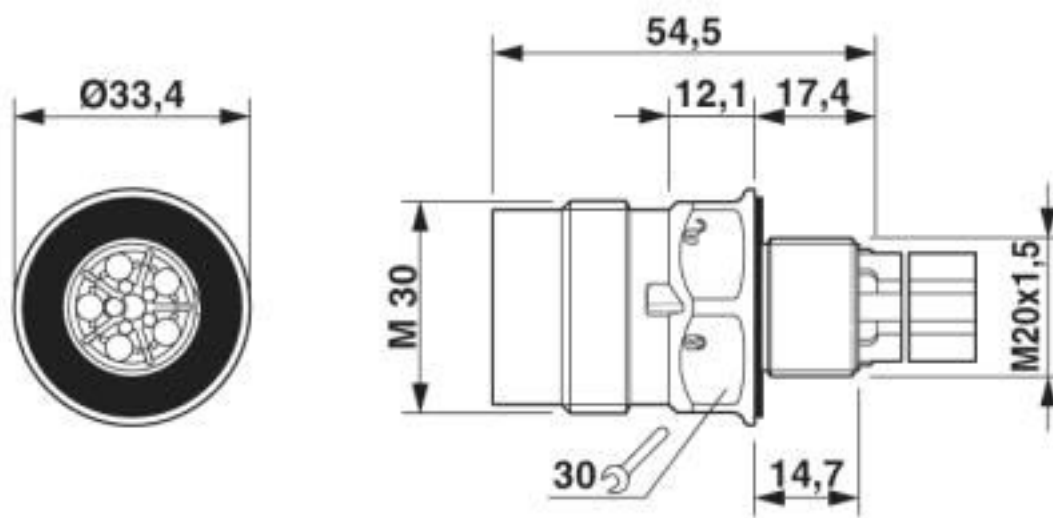
Category of shock impact	IK07
Flammability rating according to UL 94	V0

### Environmental Product Compliance

China RoHS	Environmentally Friendly Use Period = 50 years
	For details about hazardous substances go to tab "Downloads", Category "Manufacturer's declaration"

## Drawings

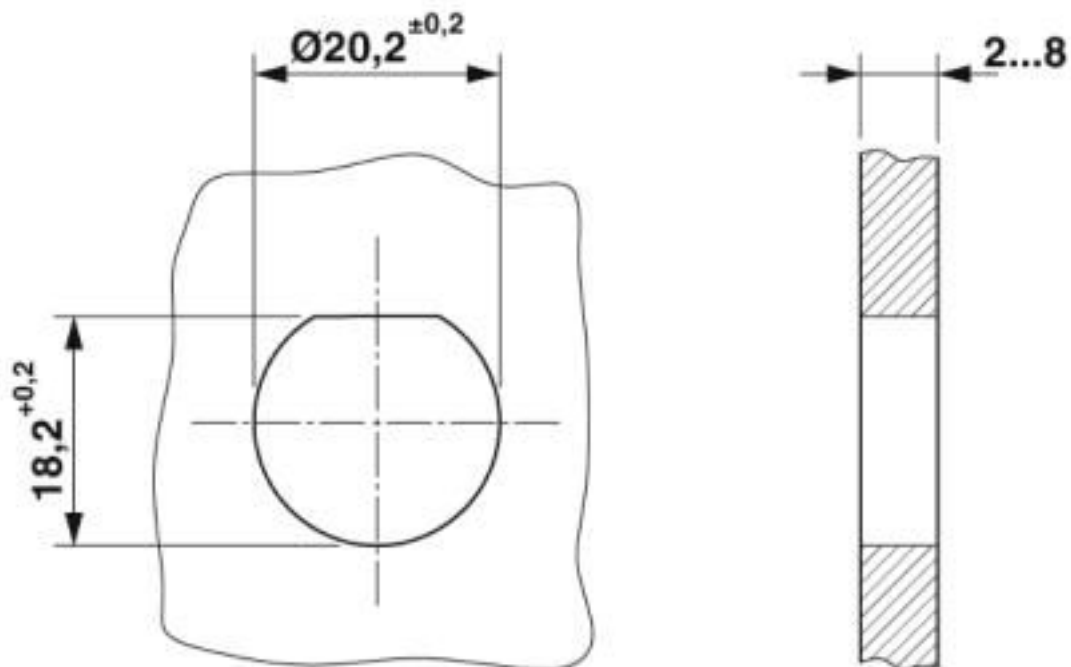
Dimensional drawing



Dimensional drawing of the QPD W 5x2,5 M20 without nut

# Panel feed-through - QPD W 4PE2,5 M20 0,5 GY - 1403738

Dimensional drawing



Housing cutout

## Classifications

eCl@ss

eCl@ss 10.0.1	27440602
eCl@ss 4.0	27140800
eCl@ss 4.1	27140800
eCl@ss 5.0	27143400
eCl@ss 5.1	27143400
eCl@ss 6.0	27143400
eCl@ss 7.0	27440602
eCl@ss 8.0	27440602
eCl@ss 9.0	27440602

ETIM

ETIM 3.0	EC001283
ETIM 4.0	EC000516
ETIM 5.0	EC002566
ETIM 6.0	EC002566
ETIM 7.0	EC002566

UNSPSC

UNSPSC 6.01	31251501
-------------	----------

# Panel feed-through - QPD W 4PE2,5 M20 0,5 GY - 1403738

## Classifications

### UNSPSC

UNSPSC 7.0901	31251501
UNSPSC 11	31251501
UNSPSC 12.01	39121522
UNSPSC 13.2	39121522
UNSPSC 18.0	39121522
UNSPSC 19.0	39121522
UNSPSC 20.0	39121522
UNSPSC 21.0	39121522

## Approvals

### Approvals

#### Approvals

EAC / EAC / DNV GL / IECCEB Scheme / UL Listed / cUL Listed / VDE Zeichengenehmigung / cULus Listed

#### Ex Approvals

### Approval details

EAC		RU C- DE.AI30.B.01102
-----	--	--------------------------

EAC		RU C- DE.BL08.B.00511
-----	--	--------------------------

DNV GL		<a href="https://approvalfinder.dnvgl.com/">https://approvalfinder.dnvgl.com/</a>	TAE00003J5
--------	--	---	------------

IECEE CB Scheme		<a href="http://www.iecee.org/">http://www.iecee.org/</a>	DE1-61559
-----------------	--	---	-----------

# Panel feed-through - QPD W 4PE2,5 M20 0,5 GY - 1403738

## Approvals

UL Listed		<a href="http://database.ul.com/cgi-bin/XYV/template/LISEXT/1FRAME/index.htm">http://database.ul.com/cgi-bin/XYV/template/LISEXT/1FRAME/index.htm</a>	FILE E 221474
Nominal voltage UN	600 V		
Nominal current IN	10 A		
mm²/AWG/kcmil	16		

cUL Listed		<a href="http://database.ul.com/cgi-bin/XYV/template/LISEXT/1FRAME/index.htm">http://database.ul.com/cgi-bin/XYV/template/LISEXT/1FRAME/index.htm</a>	FILE E 221474
Nominal voltage UN	600 V		
Nominal current IN	10 A		
mm²/AWG/kcmil	16		

VDE Zeichengenehmigung		<a href="http://www2.vde.com/de/Institut/Online-Service/VDE-gepruefteProdukte/Seiten/Online-Suche.aspx">http://www2.vde.com/de/Institut/Online-Service/VDE-gepruefteProdukte/Seiten/Online-Suche.aspx</a>	40029149
Nominal voltage UN	690 V		
Nominal current IN	20 A		
mm²/AWG/kcmil	1-2.5		

cULus Listed			
--------------	--	--	--

## Accessories

### Accessories

#### Coding element

Coding profile - CP-QPD 5X2,5 - 1404530



Coding profile, red, for insertion into the 5-pos. QUICKON dome and connector, can be positioned in 72° increments.

#### Protective cap

## Panel feed-through - QPD W 4PE2,5 M20 0,5 GY - 1403738

### Accessories

Protective cap - QPD QSK BK 5X2,5 FS - 1404525

Protective cap, plastic, for QUICKON connection, black, with retaining cord, IP68



---

Protective cap - QPD QSK 5X2,5 - 1404528

Protective cap, transparent plastic, for 5x 2.5 mm<sup>2</sup> QPD QUICKON connection, IP50.



---

Socket spanner

Socket wrench - QSS 27 - 1670646



Allen wrench, for loosening and fastening the QUICKON union nut, WAF 27 mm

---

Flat nut - Q-MU-M20 BK - 1586099

Flat nut, color: black



---

Phoenix Contact 2020 © - all rights reserved  
<http://www.phoenixcontact.com>

PHOENIX CONTACT GmbH & Co. KG  
Flachsmarktstr. 8  
32825 Blomberg  
Germany  
Tel. +49 5235 300  
Fax +49 5235 3 41200  
<http://www.phoenixcontact.com>

# Mouser Electronics

Authorized Distributor

Click to View Pricing, Inventory, Delivery & Lifecycle Information:

[Phoenix Contact:](#)

[1403738](#)