

# Splice box - FOC-FDX20-PP-LCQ6-OSP-PT9 - 1019707

Please be informed that the data shown in this PDF Document is generated from our Online Catalog. Please find the complete data in the user's documentation. Our General Terms of Use for Downloads are valid (<http://phoenixcontact.com/download>)



DIN rail splice box, fully mounted ready to splice, for 12x LC duplex (OS2)

DIN rail splice box 12x LC duplex, including pigtails and splice holder

## Product Description

DIN rail splice box of the FDX 20 series, equipped with a 12x LC duplex coupling, fully assembled and ready for splicing with pre-assembled 900 µm pigtails (OS2) and splice holder (for separately sold shrink und crimp splice protection) on a patented splice comb made from powder-coated sheet steel. Cable insertion possible by means of screw connection on top and bottom. Housing (2-part) prepared for DIN rail mounting through rear-side adapter (this can also be mounted on the side).

### Scope of supply:

DIN rail housing with integrated splice comb (mounted), equipped with a 12x LC duplex coupling, 24x pigtail (OS2), 2x splice holder, 1x cable gland (M20x1,5)

## Your advantages

- ✓ Intuitive front panel operation and clear control cabinet layout thanks to uniform design
- ✓ Flexible DIN rail mounting possible in three positioning directions
- ✓ Perfectly sized and patented pigtail tray, for convenient splicing and compact bending radii.
- ✓ 12 duplex front connections and compact dimensions, for more space in the control cabinet
- ✓ Suitable for industrial applications
- ✓ Reduced installation time, thanks to pre-assembled, ready-to-splice design
- ✓ Continuously reliable data connection, thanks to extensively tested components
- ✓ 3-stage strain relief
- ✓ easy to install
- ✓ including cable gland
- ✓ Small bunched wire tube is guided directly on the splice holder



## Key Commercial Data

|              |               |
|--------------|---------------|
| Packing unit | 1 pc          |
| GTIN         |               |
| GTIN         | 4055626701073 |

# Splice box - FOC-FDX20-PP-LCQ6-OSP-PT9 - 1019707

## Technical data

### Mechanical characteristics

|  |                       |
|--|-----------------------|
| Connection method                      | Cable gland M20       |
| Number of slots                        | 24                    |
| Minimum external conductor diameter    | 6 mm                  |
| Maximum external conductor diameter    | 12 mm                 |
| Cable outlet                           | above and below       |
| No. of cable outlets                   | 2                     |
| Weight                                 | 741.4 g               |
| Type                                   | Rail-mountable module |
| Flammability rating according to UL 94 | V0                    |

### Ambient conditions

|   |                               |
|---|-------------------------------|
| Ambient temperature (operation)         | -40 °C ... 85 °C              |
| Ambient temperature (assembly)          | 0 °C ... 50 °C                |
| Ambient temperature (storage/transport) | -40 °C ... 85 °C              |
| Degree of protection                    | IP20 (according to IEC 60529) |

### Material data

|                          |  |
|--------------------------|--|
| Housing material         | Sheet steel  |
| Housing surface material | Powder-coated, gray                                |
| Width                    | 40.2 mm  |
| Height                   | 130.2 mm   |
| Depth                    | 112.3 mm   |
| Mounting type            | DIN rail mounting                                  |
| Assembly instructions    | Option for flexible replugging of DIN rail adapter |

### Line characteristics

|                     |   |
|---------------------|---|
| Type of cable       | For all common cable types                            |
| Cable type          | Single-mode fiberglass                                |
| Cable structure     | Semi-loose compact wires (STB)                        |
| Wire colors         | Color coded   |
| Transmission medium | FO  |
| Number of fibers    | 24  |
| Fiber type          | Single-mode fiberglass, resistant to bending G.657 A2 |
| Fiber               | GOF   |
| Attenuation         | ≤ 0.3 dB (at 1310 nm / 1550 nm)                       |

### Standards and Regulations

|  |                   |
|--|-------------------|
| Flame resistance                       | yes               |
| Resistance to UV radiation             | yes               |
| Halogen-free                           | yes               |
| Flammability rating according to UL 94 | V0                |
| Assignment plan                        | yes International |

# Splice box - FOC-FDX20-PP-LCQ6-OSP-PT9 - 1019707

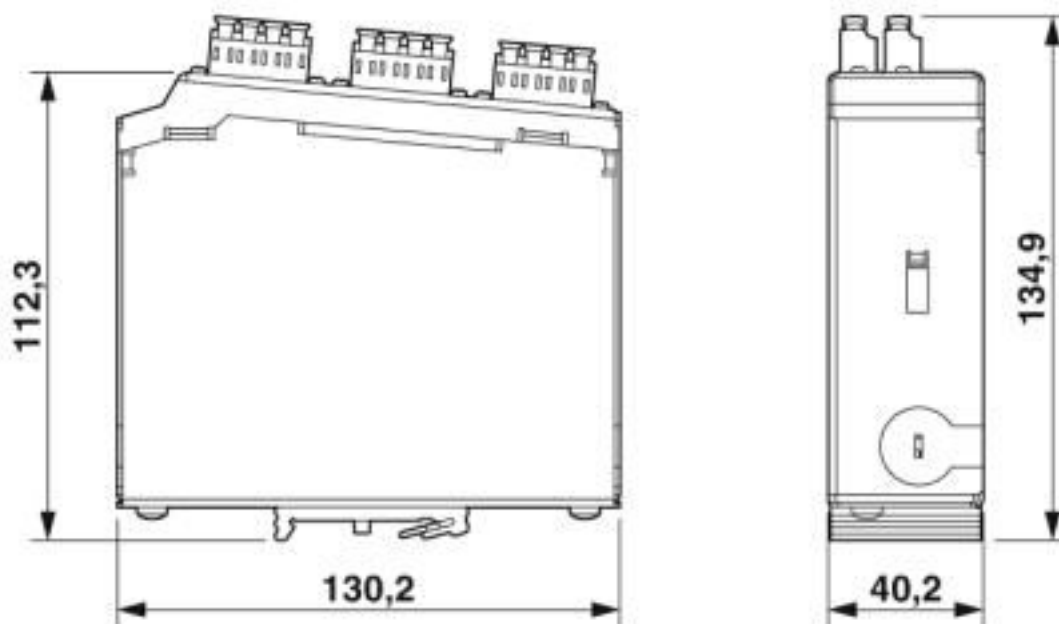
## Technical data

### Environmental Product Compliance

|            |   |
|------------|---|
| China RoHS | Environmentally friendly use period: unlimited = EFUP-e |
|            | No hazardous substances above threshold values          |

## Drawings

Dimensional drawing



DIN rail splice box 6x LC quad OS2, fully mounted ready to splice

## Classifications

eCl@ss

|               |          |
|---------------|----------|
| eCl@ss 10.0.1 | 19170113 |
| eCl@ss 6.0    | 19069200 |
| eCl@ss 7.0    | 19069290 |
| eCl@ss 8.0    | 19069290 |
| eCl@ss 9.0    | 19069290 |

ETIM

|          |          |
|----------|----------|
| ETIM 5.0 | EC002610 |
| ETIM 6.0 | EC002610 |
| ETIM 7.0 | EC002610 |

## Approvals

Approvals

# Splice box - FOC-FDX20-PP-LCQ6-OSP-PT9 - 1019707

## Approvals

---

Approvals

EAC

---

Ex Approvals

---

## Approval details

|     |  |         |
|-----|--|---------|
| EAC |  | B.01687 |
|-----|--|---------|

## Accessories

Accessories

Data cable preassembled

FO patch cable - FOC-LC:PA-LC:PA-OS2:D01/1 - 1115636



Single-mode OS2 duplex jumper, LC-LC, UPC polishing, length 1 m

---

FO patch cable - FOC-LC:PA-ST:PA-OS2:D01/1 - 1115596



Single-mode OS2 duplex jumper, LC-ST, UPC polishing, length 1 m

---

FO patch cable - FOC-LC:PA-SC:PA-OS2:D01/1 - 1115618



Single-mode OS2 duplex jumper, LC-SC, UPC polishing, length 1 m

---

## Splice box - FOC-FDX20-PP-LCQ6-OSP-PT9 - 1019707

### Accessories

FO patch cable - FOC-LC:PA-LC:PA-OS2:D01/2 - 1115629



Single-mode OS2 duplex jumper, LC-LC, UPC polishing, length 2 m

---

FO patch cable - FOC-LC:PA-ST:PA-OS2:D01/2 - 1115595



Single-mode OS2 duplex jumper, LC-ST, UPC polishing, length 2 m

---

FO patch cable - FOC-LC:PA-SC:PA-OS2:D01/2 - 1115617



Single-mode OS2 duplex jumper, LC-SC, UPC polishing, length 2 m

---

FO patch cable - FOC-LC:PA-LC:PA-OS2:D01/5 - 1115626



Single-mode OS2 duplex jumper, LC-LC, UPC polishing, length 5 m

---

FO patch cable - FOC-LC:PA-ST:PA-OS2:D01/5 - 1115592



Single-mode OS2 duplex jumper, LC-ST, UPC polishing, length 5 m

---

## Splice box - FOC-FDX20-PP-LCQ6-OSP-PT9 - 1019707

### Accessories

FO patch cable - FOC-LC:PA-SC:PA-OS2:D01/5 - 1115615



Single-mode OS2 duplex jumper, LC-SC, UPC polishing, length 5 m

---

### Necessary add-on products

Shrink splice protection - FOC-SHRINKSPLICE-PROTECT - 1019676



Shrink splice protection, type: Straight, degree of protection: IP20, cable outlet: above and below, color: transparent

---

Crimp splice protection - FOC-CRIMPSPLICE-PROTECT - 1019678



Crimp splice protection, type: Straight, degree of protection: IP20, connection method: Crimp, cable outlet: above and below, color: Bare metallic

---

### Additional products

FO accessories - FOC-TOOL-FERRULECLEANER-1.25 - 1407032



Ferrule cleaner, 1.25 mm, for LC, approx. 500 cleaning cycles

---

FO accessories - FOC-TOOL-STICKCLEANER-1.25 - 1407000



Stick cleaner for couplings and plug end faces, 1.25 mm (LC), Pcs. / Pkt.: 10

---

## Splice box - FOC-FDX20-PP-LCQ6-OSP-PT9 - 1019707

### Accessories

Screw plug - A-INSP-M20-68N-P-LG - 1424519



Screw plug, material: PA, connecting thread: M20 x 1.5, color: lightgrey RAL 7035, with O-ring

---

Nut - WP-CN PA M20 - 3241134



Nut, height: 6 mm, color: gray

---

Philips screwdriver - SF-PH 1-80 - 1212559



Screwdriver, PH crosshead (lasered), uninsulated, size: PH 1 x 80, 2-component grip, with non-slip grip

---

Screwdriver - SF-SL 1,0X5,5-150 - 1212552



Screwdriver, bladed (lasered), size: 1.0 x 5.5 x 150 mm, 2-component grip, with non-slip grip

---

End clamp - E/NS 35 N - 0800886



End clamp, width: 9.5 mm, color: gray

---

## Splice box - FOC-FDX20-PP-LCQ6-OSP-PT9 - 1019707

### Accessories

#### DIN rail adapter - NBC-PP-G1PGY - 1041740



DIN rail adapter, type: Headers with shielding, degree of protection: IP20, material: PC-GF10, without assembled modules

---

#### DIN rail adapter - FL DIN RA - 2891053



The FL DIN RA is installed in a standard, 19-inch rack (EIA-310-D, IEC 60297-3-100) to allow DIN rail mounted equipment to be rack mounted.

---

#### DIN rail adapter - NBC-PP-G1PGY - 1041740



DIN rail adapter, type: Headers with shielding, degree of protection: IP20, material: PC-GF10, without assembled modules

---

#### Cable gland - G-INS-M20-S68N-PNES-GY - 1411125



Cable gland, cable gland material: PA, external cable diameter 6 mm ... 12 mm, shielding: no, connecting thread: M20 x 1.5, color: silver-gray RAL 7001

---

#### Marking foil for zack marker strip - TML (104X10)R - 0801835



Marking foil for zack marker strip, Roll, white, unlabeled, can be labeled with: THERMOMARK ROLL 2.0, THERMOMARK ROLL, THERMOMARK ROLL X1, THERMOMARK ROLLMASTER 300/600, THERMOMARK X1.2, mounting type: adhesive, for terminal block width: 104 mm, lettering field size: 104 x 10 mm, Number of individual labels: 1500

---



## Splice box - FOC-FDX20-PP-LCQ6-OSP-PT9 - 1019707

### Accessories

Marking foil for zack marker strip - TML (EX9,5)R TR - 0816634



Marking foil for zack marker strip, Roll, transparent, unlabeled, can be labeled with: THERMOMARK ROLL 2.0, THERMOMARK ROLL, THERMOMARK ROLL X1, THERMOMARK ROLLMASTER 300/600, THERMOMARK X1.2, mounting type: adhesive, for terminal block width: 30000 mm, lettering field size: 40000 x 9.5 mm, Number of individual labels: 4000

Safety label with special adhesive - EMLS (70X32)R SR - 0800346



Safety label with special adhesive, Roll, silver, unlabeled, can be labeled with: THERMOMARK ROLLMASTER 300/600, THERMOMARK X1.2, THERMOMARK ROLL X1, THERMOMARK ROLL 2.0, THERMOMARK ROLL, mounting type: adhesive, lettering field size: 70 x 32 mm, Number of individual labels: 500

Label for rough surfaces - EML-HA (76X51)R - 0830609



Label for rough surfaces, Roll, white, unlabeled, can be labeled with: THERMOMARK ROLLMASTER 300/600, THERMOMARK X1.2, THERMOMARK ROLL X1, THERMOMARK ROLL 2.0, THERMOMARK ROLL, mounting type: adhesive, lettering field size: 76 x 51 mm, Number of individual labels: 1000

Warning label - PML-W100 (25X25)R - 0830429



Warning label, Roll, yellow/black, unlabeled, can be labeled with: THERMOMARK ROLLMASTER 300/600, THERMOMARK X1.2, THERMOMARK ROLL X1, THERMOMARK ROLL 2.0, THERMOMARK ROLL, mounting type: adhesive, diameter: 0 mm, lettering field size: 25 x 25 mm, Number of individual labels: 500

Device marker - LS-EMLP (60X15) WH - 0831696



Device marker, Sheet, white, unlabeled, can be labeled with: TOPMARK NEO, TOPMARK LASER, mounting type: adhesive, lettering field size: 60 x 15 mm, Number of individual labels: 20

## Splice box - FOC-FDX20-PP-LCQ6-OSP-PT9 - 1019707

### Accessories

Cable marker - WML-RFID/HF 14 (25X19)R - 0803386



Cable marker label with RFID-HF transponder, roll, white, unmarked, can be printed with: THERMOMARK ROLL, THERMOMARK ROLL X1, THERMOMARK X1.2, mounting type: adhesive, min. cable diameter: 9 mm, max. cable diameter: 14 mm, lettering field size: 25 x 19 mm

---

Phoenix Contact 2020 © - all rights reserved  
<http://www.phoenixcontact.com>

PHOENIX CONTACT GmbH & Co. KG  
Flachsmarktstr. 8  
32825 Blomberg  
Germany  
Tel. +49 5235 300  
Fax +49 5235 3 41200  
<http://www.phoenixcontact.com>

# Mouser Electronics

Authorized Distributor

Click to View Pricing, Inventory, Delivery & Lifecycle Information:

[Phoenix Contact:](#)

[1019707](#)