

Engraving material - GPE 27X27 SR/R - 0806903

Please be informed that the data shown in this PDF Document is generated from our Online Catalog. Please find the complete data in the user's documentation. Our General Terms of Use for Downloads are valid (<http://phoenixcontact.com/download>)




Engraving material, Sheet, silver, unlabeled, can be labeled with: PLOTMARK, ENGRAVING UNIT, CMS-P1-PLOTTER, P1 ENGRAVING UNIT, mounting type: adhesive, lettering field size: 27 x 27 mm, Number of individual labels: 18

Your advantages

- Can be labeled easily using the CMS-P1-PLOTTER
- Can be engraved using the P1 ENGRAVING UNIT
- The adhesive foil used ensures good adhesive properties, even on uneven surfaces
- Two-layer material
- Labeling service: Phoenix Contact can custom-label all GPE ... markers according to your requirements
- The label sheet consists of prefabricated, individual self-adhesive labels

Key Commercial Data

Packing unit	10 pc
Minimum order quantity	10 pc
GTIN	 4 017918 145088
GTIN	4017918145088

Technical data

Dimensions

Length (b)	27 mm
Width (a)	27 mm
Height (c)	27 mm

Ambient conditions

Ambient temperature (operation)	-20 °C ... 85 °C
Recommended storage conditions	20°C/50% relative humidity. Storage in the original packaging is recommended.

General

Note	Can be labeled with CMS
------	-------------------------

Engraving material - GPE 27X27 SR/R - 0806903

Technical data

General

Color	silver
Components	free from silicone and halogen
Material	TRANSPLY-ABS
Wipe resistance	DIN EN 61010-1 (VDE 0411-1)
Number of individual labels	18
Number of individual labels per row	3
Adhesive	Acrylic
Printability	Engraving
	Plotter
Device	5144615 CMS-P1-PLOTTER
	5145546 P1 ENGRAVING UNIT
Adhesive strength	50 µm
Marking mounting type	adhesive

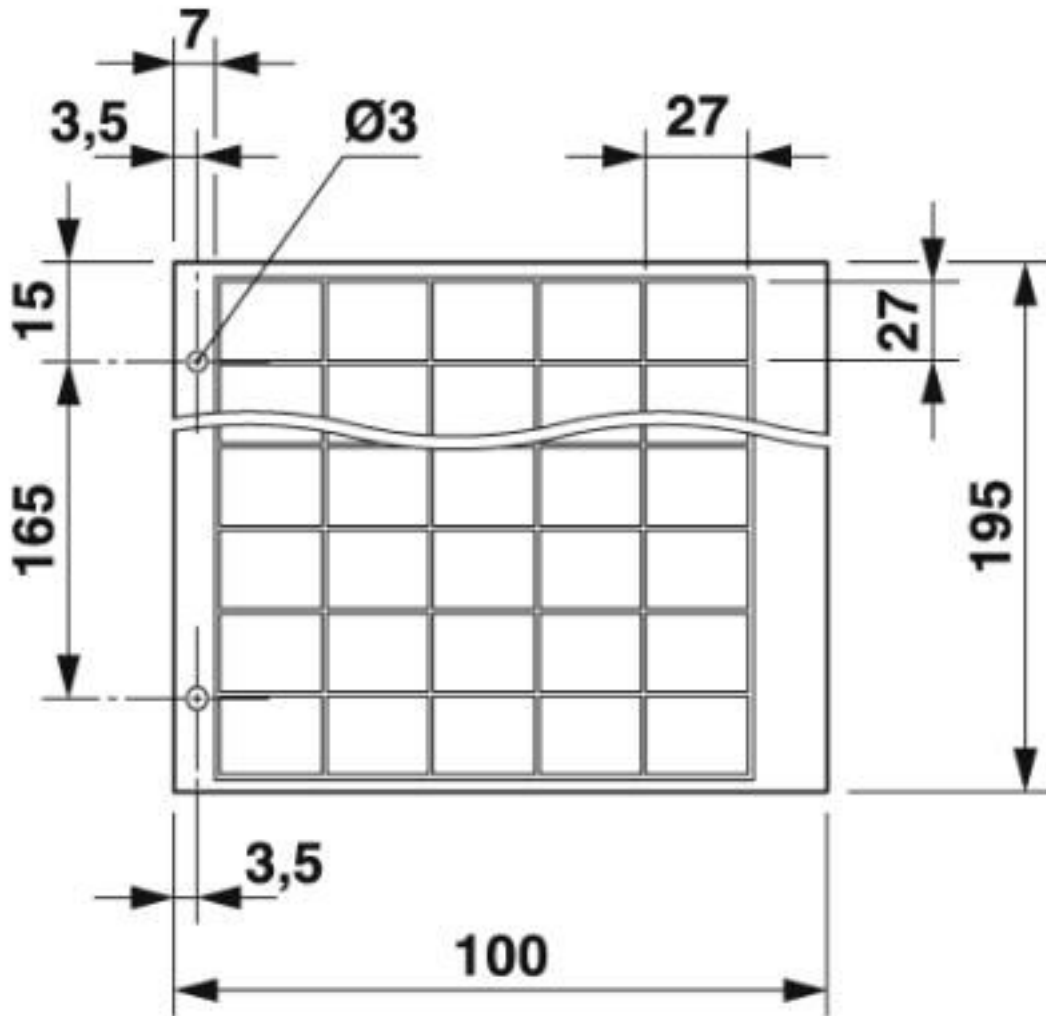
Standards and Regulations

Wipe resistance	DIN EN 61010-1 (VDE 0411-1)
-----------------	-----------------------------

Drawings

Engraving material - GPE 27X27 SR/R - 0806903

Dimensional drawing



Classifications

eCl@ss

eCl@ss 10.0.1	27400629
eCl@ss 4.0	24190200
eCl@ss 4.1	24190200
eCl@ss 5.0	27149100
eCl@ss 5.1	27141100
eCl@ss 6.0	27149100
eCl@ss 7.0	27149129
eCl@ss 8.0	27149129
eCl@ss 9.0	27400629

Engraving material - GPE 27X27 SR/R - 0806903

Classifications

ETIM

ETIM 2.0	EC000761
ETIM 3.0	EC000761
ETIM 4.0	EC000761
ETIM 5.0	EC001288
ETIM 6.0	EC001288
ETIM 7.0	EC001288

UNSPSC

UNSPSC 6.01	30211811
UNSPSC 7.0901	39121410
UNSPSC 11	39121410
UNSPSC 12.01	39121410
UNSPSC 13.2	39131504
UNSPSC 18.0	39131504
UNSPSC 19.0	39131504
UNSPSC 20.0	39131504
UNSPSC 21.0	39131504

Phoenix Contact 2020 © - all rights reserved
<http://www.phoenixcontact.com>

PHOENIX CONTACT GmbH & Co. KG
Flachsmarktstr. 8
32825 Blomberg
Germany
Tel. +49 5235 300
Fax +49 5235 3 41200
<http://www.phoenixcontact.com>

Mouser Electronics

Authorized Distributor

Click to View Pricing, Inventory, Delivery & Lifecycle Information:

[Phoenix Contact:](#)

[0806903](#)