

Cable sleeve - CES-SRG-BK-11 - 0801618

Please be informed that the data shown in this PDF Document is generated from our Online Catalog. Please find the complete data in the user's documentation. Our General Terms of Use for Downloads are valid (<http://phoenixcontact.com/download>)




Cable sleeve, no. of conductors: 1, length: 29.5 mm, width: 19.5 mm, height: 17 mm, external cable diameter: 1x 10 mm ... 11 mm , color: black

Product Description

Slotted cable sleeve



Key Commercial Data

| | |
|--------------|---|
| Packing unit | 10 pc |
| GTIN |  4 046356 674706 |
| GTIN | 4046356674706 |

Technical data

Dimensions

| | |
|-------------------------|--------------------|
| External cable diameter | 1x 10 mm ... 11 mm |
| Length | 29.5 mm |
| Width | 19.5 mm |
| Height | 17 mm |

Ambient conditions

| | |
|---------------------------------|----------------------------|
| Degree of protection | IP54 |
| Ambient temperature (operation) | -40 °C ... 125 °C (static) |

General

| | |
|-------------------|-------|
| No. of conductors | 1 |
| Material | NBR |
| | NBR |
| Color | black |

Environmental Product Compliance

| | |
|------------|---|
| China RoHS | Environmentally friendly use period: unlimited = EFUP-e |
|------------|---|

Cable sleeve - CES-SRG-BK-11 - 0801618

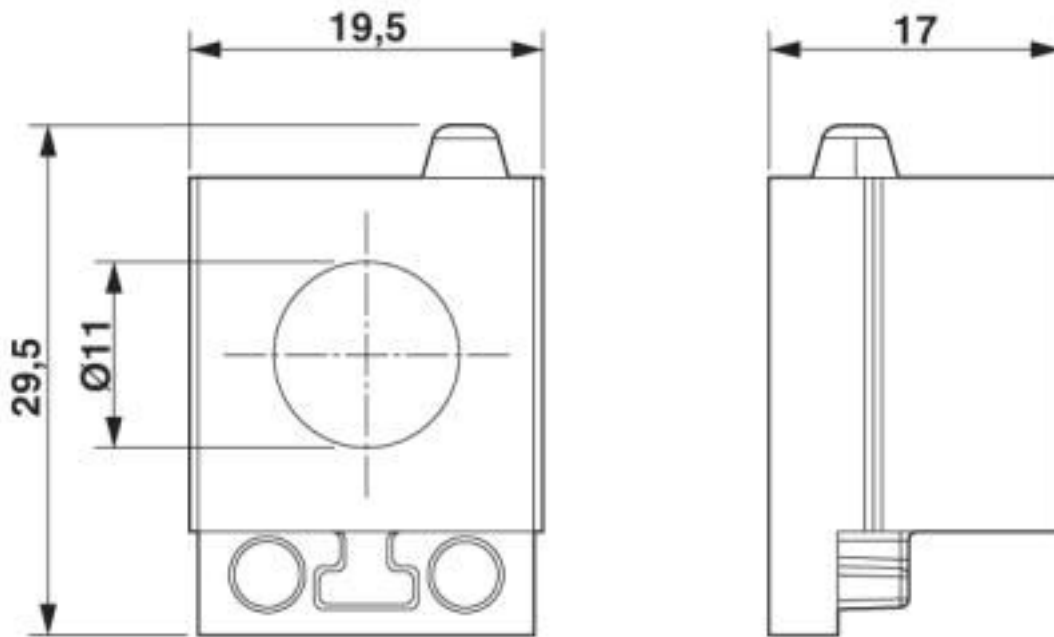
Technical data

Environmental Product Compliance

| | |
|--|--|
| | No hazardous substances above threshold values |
|--|--|

Drawings

Dimensional drawing



Dimensional drawing

Classifications

eCl@ss

| | |
|---------------|----------|
| eCl@ss 10.0.1 | 27144425 |
| eCl@ss 4.0 | 27081000 |
| eCl@ss 4.1 | 27081000 |
| eCl@ss 5.0 | 27081000 |
| eCl@ss 5.1 | 27081000 |
| eCl@ss 6.0 | 27081000 |
| eCl@ss 7.0 | 27069220 |
| eCl@ss 8.0 | 27069220 |
| eCl@ss 9.0 | 27144425 |

ETIM

| | |
|----------|----------|
| ETIM 3.0 | EC000879 |
| ETIM 4.0 | EC000451 |
| ETIM 5.0 | EC000451 |

Cable sleeve - CES-SRG-BK-11 - 0801618

Classifications

ETIM

| | |
|----------|----------|
| ETIM 6.0 | EC000451 |
| ETIM 7.0 | EC000451 |

UNSPSC

| | |
|---------------|----------|
| UNSPSC 6.01 | 30212109 |
| UNSPSC 7.0901 | 39121708 |
| UNSPSC 11 | 39121708 |
| UNSPSC 12.01 | 39121708 |
| UNSPSC 13.2 | 39121448 |
| UNSPSC 18.0 | 39121448 |
| UNSPSC 19.0 | 39121448 |
| UNSPSC 20.0 | 39121448 |
| UNSPSC 21.0 | 39121448 |

Approvals

Approvals

Approvals

DNV GL

Ex Approvals

Approval details

| | | | |
|--------|--|---|------------|
| DNV GL | | https://approvalfinder.dnvgl.com/ | TAE00003VJ |
|--------|--|---|------------|

Phoenix Contact 2020 © - all rights reserved
<http://www.phoenixcontact.com>

PHOENIX CONTACT GmbH & Co. KG
Flachsmarktstr. 8
32825 Blomberg
Germany
Tel. +49 5235 300
Fax +49 5235 3 41200
<http://www.phoenixcontact.com>

Mouser Electronics

Authorized Distributor

Click to View Pricing, Inventory, Delivery & Lifecycle Information:

[Phoenix Contact:](#)

[0801618](#)