

# Fuse panel feed-through terminal block - DFK 4-SI(6,3X32) BK - 0708344

Please be informed that the data shown in this PDF Document is generated from our Online Catalog. Please find the complete data in the user's documentation. Our General Terms of Use for Downloads are valid (<http://phoenixcontact.com/download>)



Panel feed-through terminal block, number of positions: 1, width: 12.2 mm, color: black


The figure shows version DFK 4-SI (5X20) BK

## Your advantages

- ✓ PE terminal block with ground function in accordance with IEC 60947-7-2
- ✓ Touch-proof insulating housing
- ✓ The feed-through terminal blocks snap into the panel cutout automatically
- ✓ Universal screw connection with screw locking



## Key Commercial Data

Packing unit	50 pc
GTIN	 4 017918 004613
GTIN	4017918004613

## Technical data

### Item properties

Number of positions	1
Number of connections	2

### Material data - housing

Housing color	black (9005)
---------------	--------------

### Dimensions for the product

Length [ l ]	51 mm
Width [ w ]	12.2 mm
Height [ h ]	33 mm
Pitch	6 mm

### Dimensions for mounting cutout

# Fuse panel feed-through terminal block - DFK 4-SI(6,3X32) BK - 0708344

## Technical data

### Dimensions for mounting cutout

Plate thickness	1.5 mm
-----------------	--------

### Packaging information

Pieces per package	50
Denomination packing units	Pcs.

### Standards and Regulations

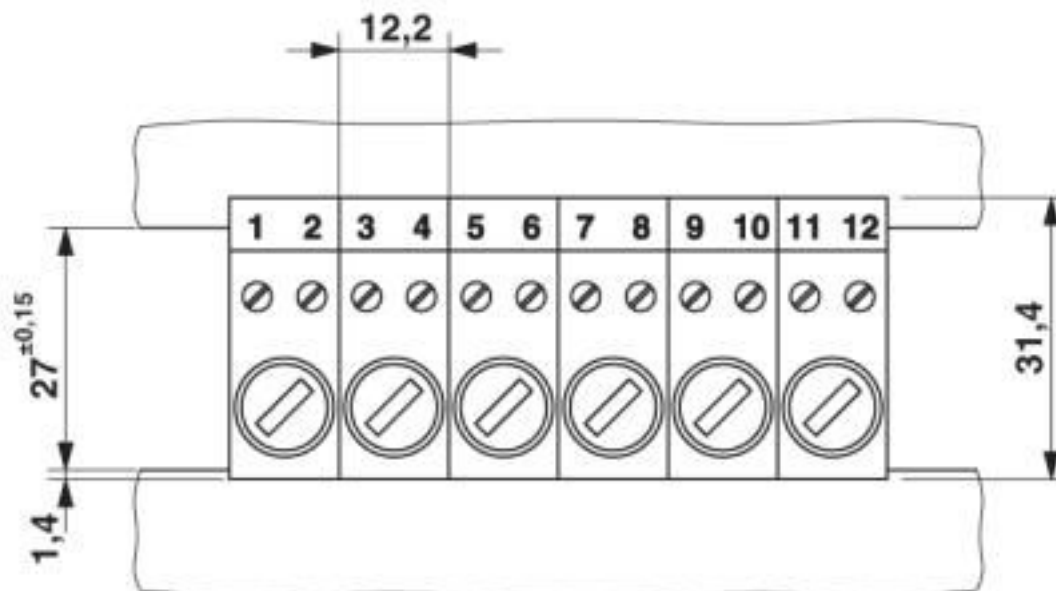
Connection in acc. with standard	CSA
	IEC 60947-7-3
	IEC 60947-7-3
Flammability rating according to UL 94	V2

### Environmental Product Compliance

REACH SVHC	Lead 7439-92-1
China RoHS	Environmentally Friendly Use Period = 50 years
	For details about hazardous substances go to tab "Downloads", Category "Manufacturer's declaration"

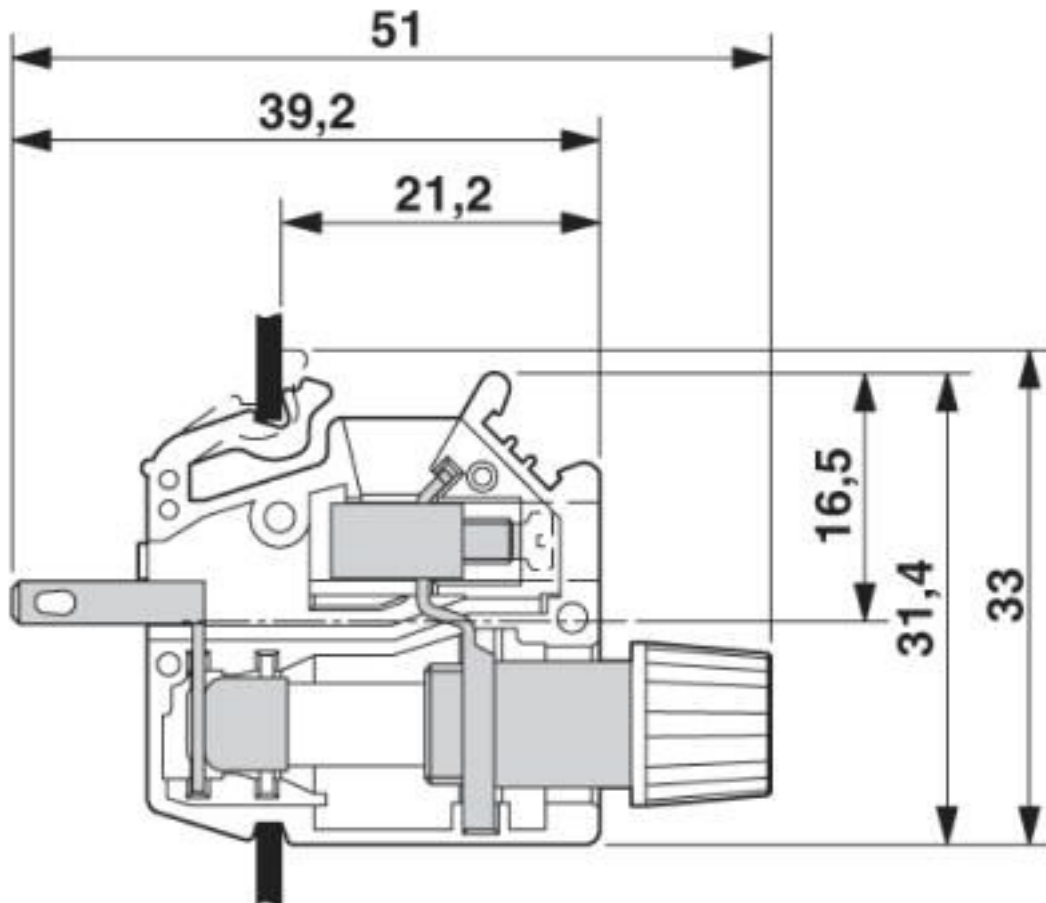
## Drawings

Dimensional drawing



# Fuse panel feed-through terminal block - DFK 4-SI(6,3X32) BK - 0708344

Dimensional drawing



## Classifications

### eCl@ss

eCl@ss 10.0.1	27141134
eCl@ss 4.0	27141100
eCl@ss 4.1	27141100
eCl@ss 5.0	27141100
eCl@ss 5.1	27141100
eCl@ss 6.0	27141100
eCl@ss 7.0	27141134
eCl@ss 8.0	27141134
eCl@ss 9.0	27141134

### ETIM

ETIM 2.0	EC001283
ETIM 3.0	EC001283
ETIM 4.0	EC001283

# Fuse panel feed-through terminal block - DFK 4-SI(6,3X32) BK - 0708344

## Classifications

### ETIM

ETIM 5.0	EC001283
ETIM 6.0	EC001283
ETIM 7.0	EC001283

### UNSPSC

UNSPSC 6.01	30211811
UNSPSC 7.0901	39121410
UNSPSC 11	39121410
UNSPSC 12.01	39121410
UNSPSC 13.2	39121410
UNSPSC 18.0	39121410
UNSPSC 19.0	39121410
UNSPSC 20.0	39121410
UNSPSC 21.0	39121410

## Approvals


### Approvals


#### Approvals

CSA / UL Recognized / EAC

#### Ex Approvals

### Approval details

CSA		<a href="http://www.csagroup.org/services-industries/product-listing/">http://www.csagroup.org/services-industries/product-listing/</a>	13631
	B	D	
Nominal voltage UN	250 V	300 V	
Nominal current IN	8 A	8 A	
mm <sup>2</sup> /AWG/kcmil	28-10	28-10	

UL Recognized		<a href="http://database.ul.com/cgi-bin/XYV/template/LISEXT/1FRAME/index.htm">http://database.ul.com/cgi-bin/XYV/template/LISEXT/1FRAME/index.htm</a>	FILE E 60425
	B	D	
Nominal voltage UN	250 V	300 V	
Nominal current IN	8 A	8 A	

# Fuse panel feed-through terminal block - DFK 4-SI(6,3X32) BK - 0708344

## Approvals

	B	D
mm <sup>2</sup> /AWG/kcmil	30-10	30-10

EAC		B.01687
-----	---	---------

## Accessories

### Accessories

#### Terminal marking

Marker card - SBS 6:UNBEDRUCKT - 1007222



Marker card, Card, white, unlabeled, can be labeled with: Marker pen, mounting type: snap into tall marker groove, snap into flat marker groove, for terminal block width: 6 mm, lettering field size: 6 x 6.1 mm, Number of individual labels: 250

---

Phoenix Contact 2020 © - all rights reserved  
<http://www.phoenixcontact.com>

PHOENIX CONTACT GmbH & Co. KG  
Flachsmarktstr. 8  
32825 Blomberg  
Germany  
Tel. +49 5235 300  
Fax +49 5235 3 41200  
<http://www.phoenixcontact.com>

# Mouser Electronics

Authorized Distributor

Click to View Pricing, Inventory, Delivery & Lifecycle Information:

[Phoenix Contact:](#)

[0708344](#)