

# Electronic housing - UEGM 22,5 GY OHNE LOGO - 2792837

Please be informed that the data shown in this PDF Document is generated from our Online Catalog. Please find the complete data in the user's documentation. Our General Terms of Use for Downloads are valid (<http://phoenixcontact.com/download>)




Electronic housing, for PCB insertion, fully equipped with 3 screw or 6 tab connections per side

The figure shows a green version



## Key Commercial Data

Packing unit	10 pc
GTIN	 4 017918 274610
GTIN	4017918274610

## Technical data

### General

Housing type	Component housing
Housing material	Polyamide (PA 6.6)
Color (RAL)	gray

### Ambient conditions

Ambient temperature (operation)	-40 °C ... 105 °C
---------------------------------	-------------------

### Dimensions

Length	79 mm
Width	22.5 mm

### Technical data

Number of positions	6
---------------------	---

### Standards and Regulations

Flammability rating according to UL 94	V2
--	----

### Environmental Product Compliance

REACH SVHC	Lead 7439-92-1
China RoHS	Environmentally Friendly Use Period = 50

# Electronic housing - UEGM 22,5 GY OHNE LOGO - 2792837

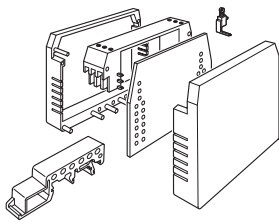
## Technical data

### Environmental Product Compliance

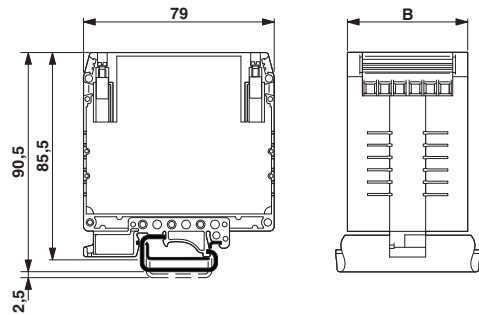
For details about hazardous substances go to tab "Downloads", Category "Manufacturer's declaration"

## Drawings

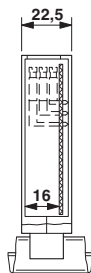
Explosion drawing



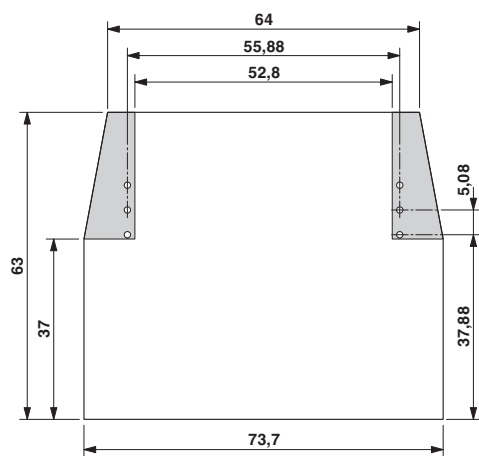
Dimensional drawing



Dimensional drawing

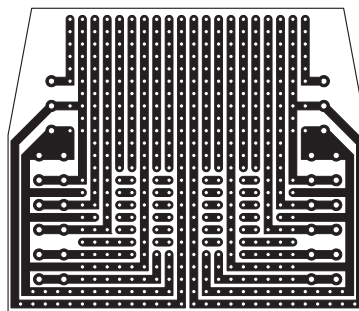


Dimensional drawing



UEGM 22,5... with 1 PCB, 6 positions or 12 positions (FS/FS)

Schematic diagram



## Electronic housing - UEGM 22,5 GY OHNE LOGO - 2792837

### Approvals

#### Approvals

---

#### Approvals


UL Recognized / EAC


---

#### Ex Approvals

---

### Approval details

UL Recognized		<a href="http://database.ul.com/cgi-bin/XYV/template/LISEXT/1FRAME/index.htm">http://database.ul.com/cgi-bin/XYV/template/LISEXT/1FRAME/index.htm</a>	FILE E 240868
---------------	---	---	---------------

EAC			B.01742
-----	--	--	---------

---

Phoenix Contact 2018 © - all rights reserved  
<http://www.phoenixcontact.com>

PHOENIX CONTACT GmbH & Co. KG  
Flachsmarktstr. 8  
32825 Blomberg  
Germany  
Tel. +49 5235 300  
Fax +49 5235 3 41200  
<http://www.phoenixcontact.com>

# Mouser Electronics

Authorized Distributor

Click to View Pricing, Inventory, Delivery & Lifecycle Information:

[Phoenix Contact:](#)

[2792837](#)