

Electronic housing - EG 22,5-A/ABS BU - 2764726

Please be informed that the data shown in this PDF Document is generated from our Online Catalog. Please find the complete data in the user's documentation. Our General Terms of Use for Downloads are valid (<http://phoenixcontact.com/download>)




Housing cover, for connection on both sides

The figure shows the fully mounted version of the electronic housing, in green



Key Commercial Data

Packing unit	25 pc
GTIN	 4 017918 273330
GTIN	4017918273330

Technical data

Standards and Regulations

Flammability rating according to UL 94	HB
----------------------------------------	----

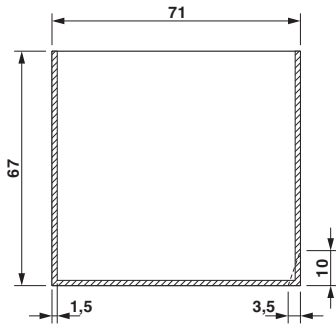
Environmental Product Compliance

China RoHS	Environmentally friendly use period: unlimited = EFUP-e
	No hazardous substances above threshold values

Drawings

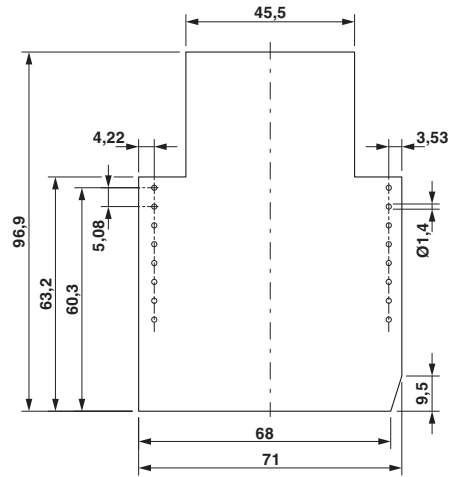
Electronic housing - EG 22,5-A/ABS BU - 2764726

Dimensional drawing



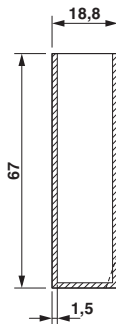
valid for PCB 7, see explosion drawing

Dimensional drawing



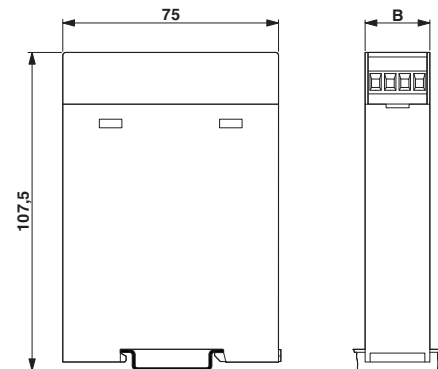
Component mounting side, if the double-level upper part is used

Dimensional drawing



valid for PCB 1, see explosion drawing

Dimensional drawing



Approvals

Approvals

Approvals

UL Recognized

Ex Approvals

Approval details

Electronic housing - EG 22,5-A/ABS BU - 2764726

Approvals

UL Recognized



<http://database.ul.com/cgi-bin/XYV/template/LISEXT/1FRAME/index.htm>

FILE E 240868

Phoenix Contact 2018 © - all rights reserved
<http://www.phoenixcontact.com>

PHOENIX CONTACT GmbH & Co. KG
Flachsmarktstr. 8
32825 Blomberg
Germany
Tel. +49 5235 300
Fax +49 5235 3 41200
<http://www.phoenixcontact.com>

Mouser Electronics

Authorized Distributor

Click to View Pricing, Inventory, Delivery & Lifecycle Information:

[Phoenix Contact:](#)

[2764726](#)