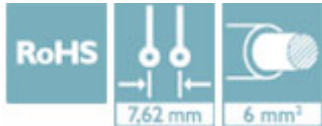



SPC 5/ 2-STCL-7,62 BK BDWH2-B1 - 1712485

Please be informed that the data shown in this PDF Document is generated from our Online Catalog. Please find the complete data in the user's documentation. Our General Terms of Use for Downloads are valid (<http://phoenixcontact.com/download>)

PCB connector, number of positions: 2, pitch: 7.62 mm, color: black, contact surface: Tin



Key Commercial Data

Packing unit	50 pc
GTIN	 4 055626 288239
GTIN	4055626288239

Technical data

Dimensions

Pitch	7.62 mm
-------	---------

General

Range of articles	SPC 5/...-STCL
Number of positions	2
Nominal cross section	6 mm ²

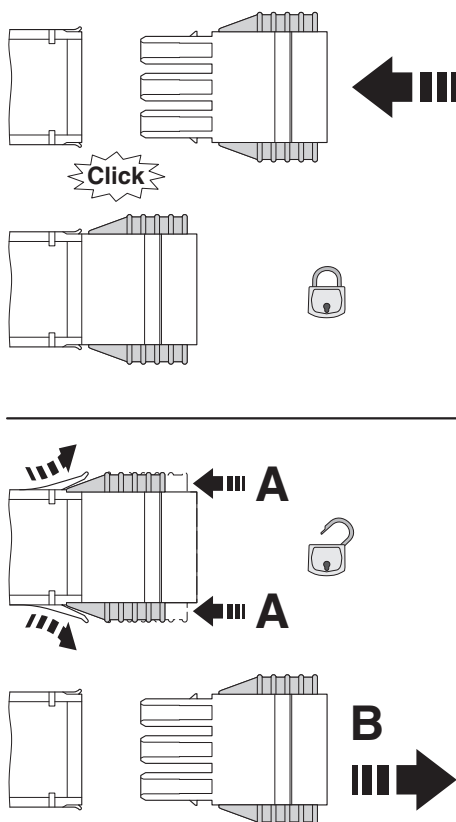
Environmental Product Compliance

China RoHS	Environmentally friendly use period: unlimited = EFUP-e
	No hazardous substances above threshold values

Drawings

SPC 5/ 2-STCL-7,62 BK BDWH2-B1 - 1712485

Schematic diagram



Click and Lock system method of operation

Approvals

Approvals

Approvals

cULus Recognized

Ex Approvals

Approval details

cULus Recognized		http://database.ul.com/cgi-bin/XYV/template/LISEXT/1FRAME/index.htm	E60425-19920722
	B	C	
Nominal voltage UN	600 V	600 V	
Nominal current IN	35 A	35 A	

SPC 5/ 2-STCL-7,62 BK BDWH2-B1 - 1712485

Approvals

	B	C
mm ² /AWG/kcmil	24-8	24-8

Phoenix Contact 2018 © - all rights reserved
<http://www.phoenixcontact.com>

PHOENIX CONTACT GmbH & Co. KG

Flachsmarktstr. 8

32825 Blomberg

Germany

Tel. +49 5235 300

Fax +49 5235 3 41200

<http://www.phoenixcontact.com>

Mouser Electronics

Authorized Distributor

Click to View Pricing, Inventory, Delivery & Lifecycle Information:

[Phoenix Contact:](#)

[1712485](#)