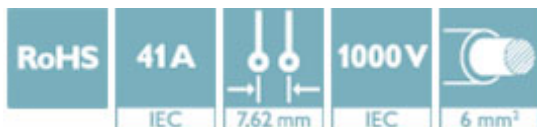



# Printed-circuit board connector - SPC 5/ 2-STCL-7,62 BK - 1711708

Please be informed that the data shown in this PDF Document is generated from our Online Catalog. Please find the complete data in the user's documentation. Our General Terms of Use for Downloads are valid (<http://phoenixcontact.com/download>)

PCB connector, nominal current: 41 A, rated voltage (III/2): 1000 V, number of positions: 2, pitch: 7.62 mm, connection method: Push-in spring connection, color: black, contact surface: Tin



## Key Commercial Data

Packing unit	50 pc
GTIN	 4 055626 283623
GTIN	4055626283623

## Technical data

### Dimensions

Width [ w ]	23.24 mm
Pitch	7.62 mm
	7.62 mm
Dimension a	7.62 mm

### General

Range of articles	SPC 5/..-STCL
Number of positions	2
Connection method	Push-in spring connection
Insulating material group	I
Rated voltage (III/2)	1000 V
Nominal current I <sub>N</sub>	41 A
Nominal cross section	6 mm <sup>2</sup>
Flammability rating according to UL 94	V0

### Standards and Regulations

Flammability rating according to UL 94	V0
--	----

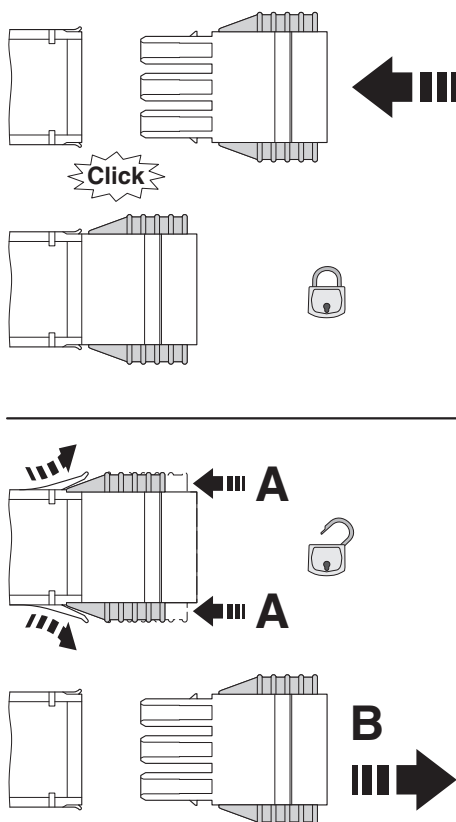
### Environmental Product Compliance

China RoHS	Environmentally friendly use period: unlimited = EFUP-e
	No hazardous substances above threshold values

## Drawings

# Printed-circuit board connector - SPC 5/ 2-STCL-7,62 BK - 1711708

Schematic diagram



Click and Lock system method of operation

## Approvals

Approvals

Approvals

cULus Recognized

Ex Approvals

## Approval details

cULus Recognized		<a href="http://database.ul.com/cgi-bin/XYV/template/LISEXT/1FRAME/index.htm">http://database.ul.com/cgi-bin/XYV/template/LISEXT/1FRAME/index.htm</a>	E60425-19920722
	B	C	
Nominal voltage UN	600 V	600 V	
Nominal current IN	35 A	35 A	

## Printed-circuit board connector - SPC 5/ 2-STCL-7,62 BK - 1711708

### Approvals

	B	C
mm <sup>2</sup> /AWG/kcmil	24-8	24-8

Phoenix Contact 2018 © - all rights reserved  
<http://www.phoenixcontact.com>

PHOENIX CONTACT GmbH & Co. KG

Flachsmarktstr. 8

32825 Blomberg

Germany

Tel. +49 5235 300

Fax +49 5235 3 41200

<http://www.phoenixcontact.com>

# Mouser Electronics

Authorized Distributor

Click to View Pricing, Inventory, Delivery & Lifecycle Information:

[Phoenix Contact:](#)

[1711708](#)