

# AC charging cable - EV-GBM3C-1AC16A-7,0M2,5ESOG00U - 1627313

Please be informed that the data shown in this PDF Document is generated from our Online Catalog. Please find the complete data in the user's documentation. Our General Terms of Use for Downloads are valid (<http://phoenixcontact.com/download>)



AC charging cable with vehicle connector, open cable end, without protective cap, GB/T, GB/T 20234.2, 16 A / 250 V (AC), design line D-Line, cable: 7 m, orange, straight, NOTE: Cable management may be required., mating face: gray, handle area: gray

## Product Description


AC charging cable with Vehicle Connector and open cable end for charging electric vehicles (EV) with alternating current (AC) via GB/T Vehicle Inlets, for installation at charging stations for E-Mobility (EVSE)

## Why buy this product

- Consistent design of all Phoenix Contact Vehicle Connectors and Infrastructure Plugs
- Silver-plated surface of the power and signal contacts
- Certified in accordance with IATF 16949:2016 and ISO 9001:2015
- Convenient handling, thanks to the ergonomic handle and additional, rubber grip components



## Key Commercial Data

Packing unit	1 pc
GTIN	 4 055626 301495
GTIN	4055626301495

## Technical data

### Product definition

Product type	AC charging cable with vehicle connector, open cable end, without protective cap
Type	D-Line
Standards/regulations	GB/T 20234.2
Charging standard	GB/T
Charging mode	Mode 3, Case C
Note	NOTE: Cable management may be required.
	Cable management is required in certain regions if the cable length exceeds 5.0 m (Switzerland) or 7.5 m (USA) (IEC 61851-1).

### Dimensions

# AC charging cable - EV-GBM3C-1AC16A-7,0M2,5ESOG00U - 1627313

## Technical data

### Dimensions

Vehicle connector width	60.00 mm
Vehicle connector height	112.40 mm
Vehicle connector depth	219.10 mm
Conductor length	7 m
Stripping length	45 mm ±10 mm

### Ambient conditions

Ambient temperature (operation)	-30 °C ... 50 °C
Ambient temperature (storage/transport)	-40 °C ... 80 °C
Max. altitude	5000 m (above sea level)
Degree of protection	IP55 (plugged in)
	IP54 (Protective cap)

### Electrical properties

Maximum charging power	4 kW
Number of phases	1
Number of power contacts	3 (L, N, PE)
Rated current of power contacts	16 A
Rated voltage for power contacts	250 V
Number of signal contacts	2 (CP, CC)
Rated current for signal contacts	2 A
Rated voltage for signal contacts	30 V AC
Type of signal transmission	Pulse width modulation
Note on the connection method	Crimp connection, cannot be disconnected
Resistor coding	680 Ω (between PE and CC)

### Mechanical properties

Insertion/withdrawal cycles	> 10000
Insertion force	< 100 N
Withdrawal force	< 100 N

### Design

Design line	D-Line
Housing color	black
Mating face color	gray
Color handle area	gray
Actuating element color	gray
Color protective cap	black
Label	14.1 mm x 44.8 mm (customer logo on request)

### Material

Housing material	Plastic
Material handle area	Soft plastic

# AC charging cable - EV-GBM3C-1AC16A-7,0M2,5ESOG00U - 1627313

## Technical data

### Material

Actuating lever material	Plastic
Material protective cap	Plastic
Material mating face	Plastic
Material surface of contacts	Ag

### Cable

Cable structure	3 x 2.5 mm <sup>2</sup> + 1 x 0.5 mm <sup>2</sup> (GB/T 25087-2010, ISO 14572)
Wiring class	Class 6
External cable diameter	10.5 mm ±0.5 mm
Type of conductor	straight
Outer sheath, material	TPE
External sheath, color	orange
Minimum bending radius	157.5 mm (15 x diameter)

### Locking

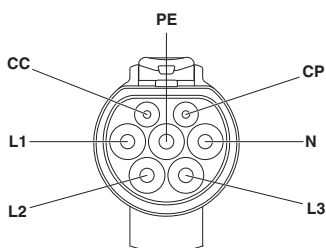
Locking type	No locking option for U-lock
--------------	------------------------------

### Environmental Product Compliance

REACH SVHC	Lead 7439-92-1
China RoHS	Environmentally Friendly Use Period = 10;
	For details about hazardous substances go to tab "Downloads", Category "Manufacturer's declaration"

## Drawings

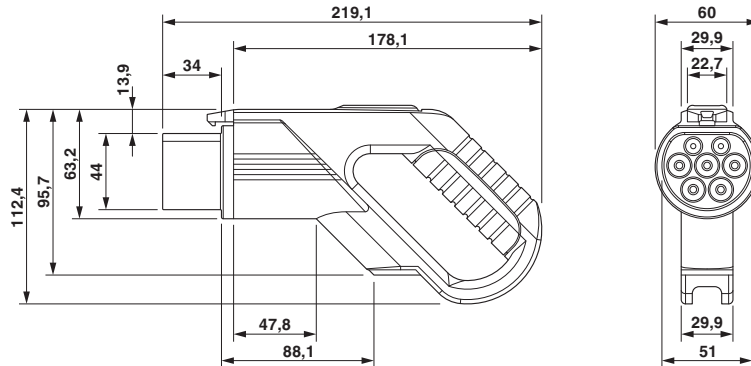
Schematic diagram



Pin assignment of the Vehicle Connector

# AC charging cable - EV-GBM3C-1AC16A-7,0M2,5ESOG00U - 1627313

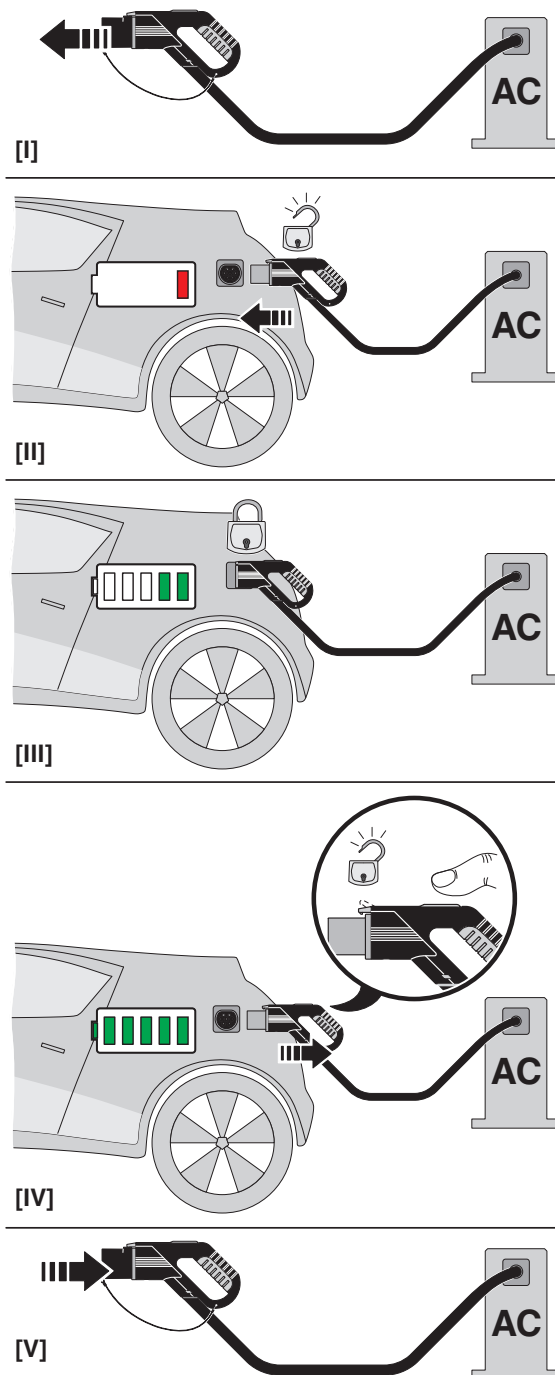
Dimensional drawing



Ensure that the vehicle connector is placed in an appropriate resting position that ensures a minimum protection rating of IP24 in accordance with IEC 61851-1 for the entire time between charging. Use the dimensions of the vehicle connector to create this type of resting position. Detailed specifications can also be found in the download area.

# AC charging cable - EV-GBM3C-1AC16A-7,0M2,5ESOG00U - 1627313

Schematic diagram



---

Phoenix Contact 2018 © - all rights reserved  
<http://www.phoenixcontact.com>

PHOENIX CONTACT GmbH & Co. KG  
Flachsmarktstr. 8  
32825 Blomberg  
Germany  
Tel. +49 5235 300  
Fax +49 5235 3 41200  
<http://www.phoenixcontact.com>

# Mouser Electronics

Authorized Distributor

Click to View Pricing, Inventory, Delivery & Lifecycle Information:

[Phoenix Contact:](#)

[1627313](#)