

## Rear panel feed-through - UC-17P1N8AQ0AD - 1626087

Please be informed that the data shown in this PDF Document is generated from our Online Catalog. Please find the complete data in the user's documentation. Our General Terms of Use for Downloads are valid (<http://phoenixcontact.com/download>)




Feed-through of rear wall, straight, shielded: yes, Screw locking, M23, No. of pos.: 17, type of contact: Pin, Crimp connection, Axial O-ring, Central fixing, cable diameter range: 13.5 mm ... 14.5 mm

The figure shows the 12-pos. product version



### Key Commercial Data

Packing unit	12 pc
GTIN	 4 046356 876780
GTIN	4046356876780

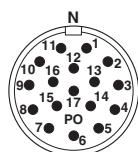
### Technical data

#### Environmental Product Compliance

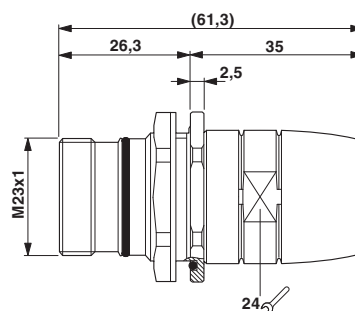
REACH SVHC	Lead 7439-92-1
China RoHS	Environmentally Friendly Use Period = 50
	For details about hazardous substances go to tab "Downloads", Category "Manufacturer's declaration"

### Drawings

Schematic diagram

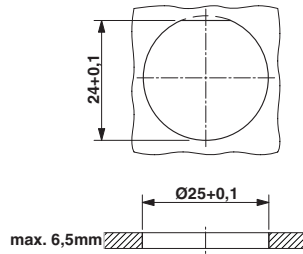


Dimensional drawing



# Rear panel feed-through - UC-17P1N8AQ0AD - 1626087

Dimensional drawing



## Approvals

Approvals

---

Approvals

EAC

---

Ex Approvals

## Approval details

EAC		B.01742
-----	--	---------

Phoenix Contact 2018 © - all rights reserved  
<http://www.phoenixcontact.com>

PHOENIX CONTACT GmbH & Co. KG  
Flachsmarktstr. 8  
32825 Blomberg  
Germany  
Tel. +49 5235 300  
Fax +49 5235 3 41200  
<http://www.phoenixcontact.com>

# Mouser Electronics

Authorized Distributor

Click to View Pricing, Inventory, Delivery & Lifecycle Information:

[Phoenix Contact:](#)

[1626087](#)