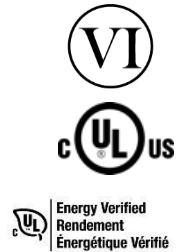




5W Fixed Blade Wall Mount Adapter - US



Features

- Double Insulated
- Low Leakage Current
- Low Cost
- Small Package Size
- Class B EMI
- US DoE Level VI Compliance
- PSAC05A-050L6M-R & PSAC05A-050L6B-R charging scheme: Data Lines (Pins 2 and 3) Shorted

Applications

- MPEG Players
- Personal Electronics
- PDAs
- Digital Cameras

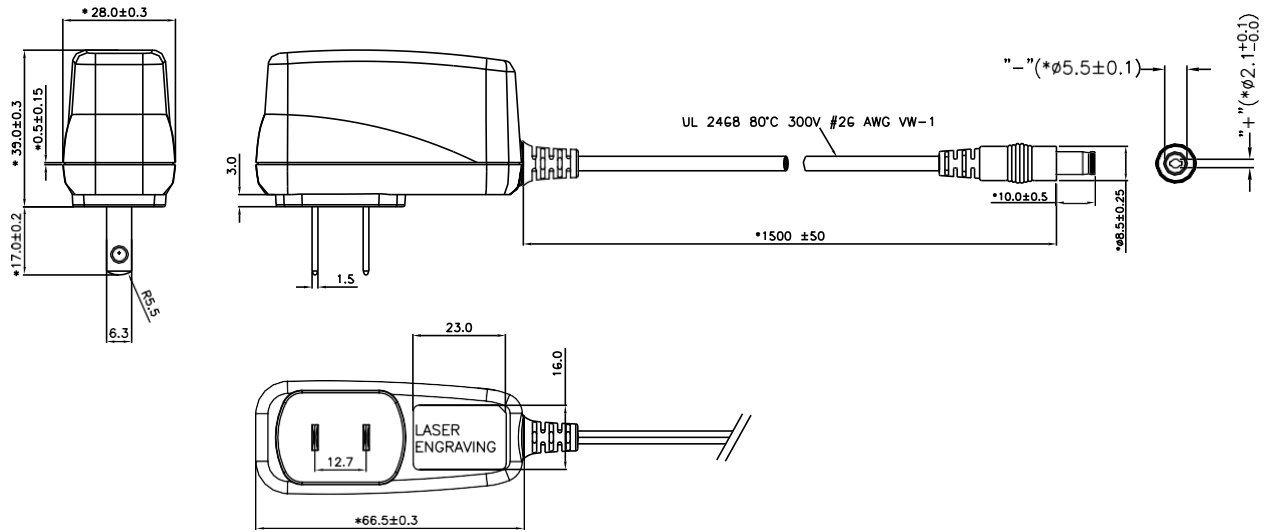


PSAC05A Specifications¹

Model		PSAC05A-050L6-R	PSAC05A-050L6M-R ²	PSAC05A-050L6B-R ^{3,1, 3,2}
Output	DC Output Voltage	5.0V		
	Max Current	1.0A		
	Output Power	5.0W		
	Regulation	± 5%		
	Ripple & Noise P-P(max) ³	150mV		
Input	AC Input Voltage Range	90 to 264VAC		
	AC Input Frequency	47 to 63Hz		
	Input Current	0.15A(RMS) max		
	Inrush Current	40A @115VAC/60Hz max load; 60A @230VAC/50Hz max load (Cold start at ambient 25°C)		
	No Load Power Consumption at 115VAC Input	≤0.100W		
	No Load Power Consumption at 230VAC Input	≤0.075W		
	115VAC Average Efficiency ⁴	≥73.6%		
	230VAC Average Efficiency ⁴	≥73.8%		
	Leakage Current	250uA max		
Protection	Over-Voltage	7.5V max		
	Over-Current	2A max		
	Short Circuit	Output can be shorted permanently without damage		
Environmental	Operating Temperature	0°C to +40°C		
	Non-Operating Temperature	-20° to +70°C		
	Operating Humidity	0 to 90%		
Safety Approvals and EMC	Dielectric Withstand (HI-POT)	Primary to Secondary: 3000VAC for 1min, 10mA		
	Insulation Resistance	Primary to Secondary: 10M ohm for 500VDC		
	Standards	cULus 62368-1		
	EMI Emissions	FCC Part 15 Class B, CAN-ICES-003(B)/NMB-003(B) Class B Conducted and Radiated		
Mechanical	Dimensions (L x W x H)	66.5mm (2.62in) x 28.0mm (1.10in) x 56.0mm (2.20in)		
	Weight	85g		
	DC Output Connector	2.1mm x 5.5mm x 10mm Barrel Center Positive	USB Micro B	USB Mini B
Notes	<ol style="list-style-type: none"> 1. The specifications defined are at ambient temperature of 25°C, unless otherwise specified. 2. The charging scheme: Data Lines (Pins 2 and 3) Shorted. 3. <ol style="list-style-type: none"> 3.1 Special order item. Minimum order quantity applies. 3.2 The charging scheme: Data Lines (Pins 2 and 3) Shorted. 4. 20MHz bandwidth frequency oscilloscope, add a 0.1µF multilayer Cap. and Low ESR Electrolytic Cap. (10µF) at output connector terminals (nominal line voltage, full load). 5. Efficiency is measured after 30 minutes burn-in. 			

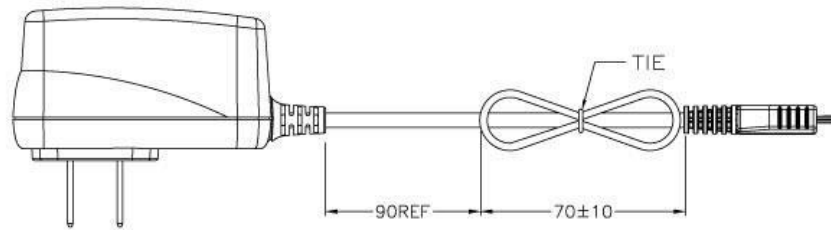
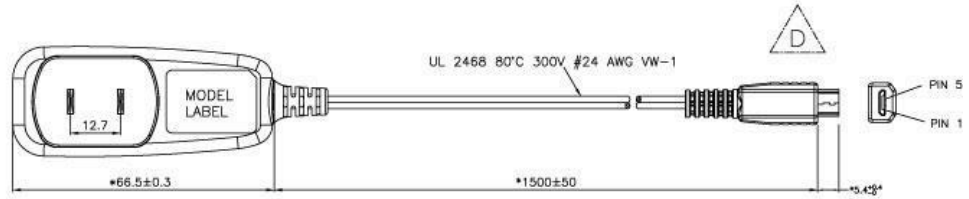
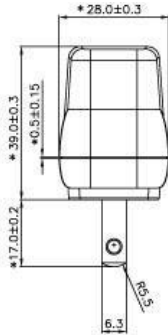


PSAC05A-050L6-R Outline Drawing



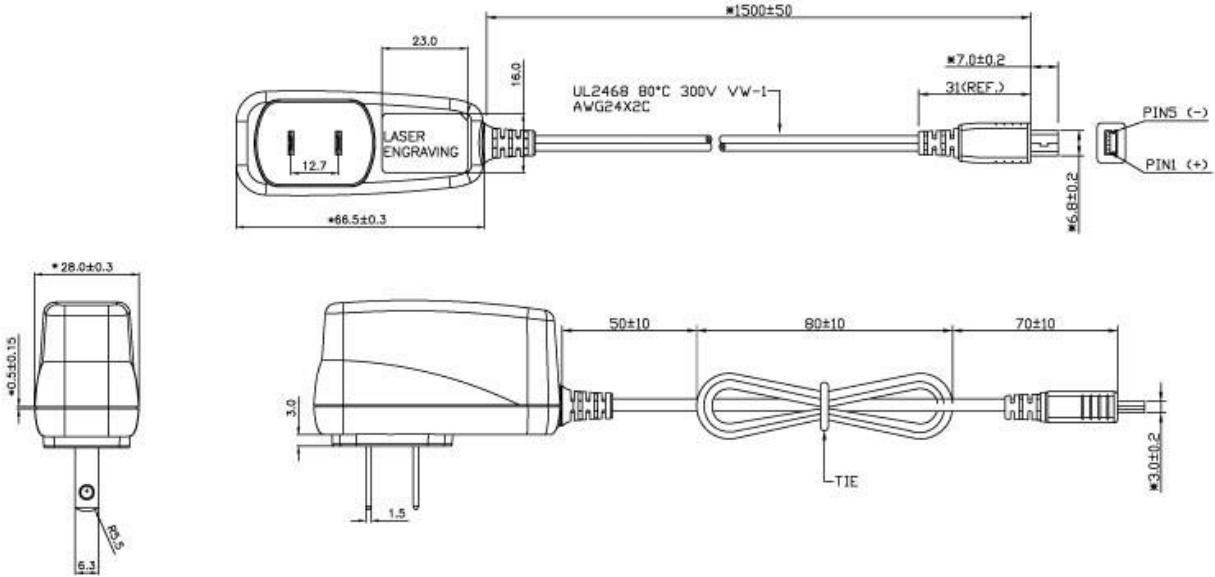


PSAC05A-050L6M-R Outline Drawing





PSAC05A-050L6B-R Outline Drawing





Supplier's Declaration of Conformity
47 CFR § 2.1077 Compliance Information

Phihong USA Corporation
47800 Fremont Boulevard
Fremont, CA 94538
Telephone: (510) 445-0100
www.phihong.com

This device complies with/The devices in this product series comply with part 15 of the FCC Rules. Operation is subject to the following two conditions: (1) This device may not cause harmful interference, and (2) this device must accept any interference received, including interference that may cause undesired operation.

Mouser Electronics

Authorized Distributor

Click to View Pricing, Inventory, Delivery & Lifecycle Information:

[Phihong:](#)

[PSAC05A-050L6](#) [PSAC05A-050L6M](#) [PSAC05A-050L6B](#) [PSAC05A-050L6M-R](#) [PSAC05A-050L6-R](#)