



# 60W Power Delivery 3.0 POE-to-USB C Converter



## **Features**

- Power Delivery 3.0
- USB-C Receptacle
- Works with IEEE802.3bt Compliant Power Sourcing Equipment
- 10/100/1000 Mbps Data Input Speed
- Short Circuit, Over-Current & Over-Voltage Protection

## **Applications**

- Mobile Phone
- Tablet
- Laptop Computer
- Networking Device
- Bluetooth & Multimedia Speaker

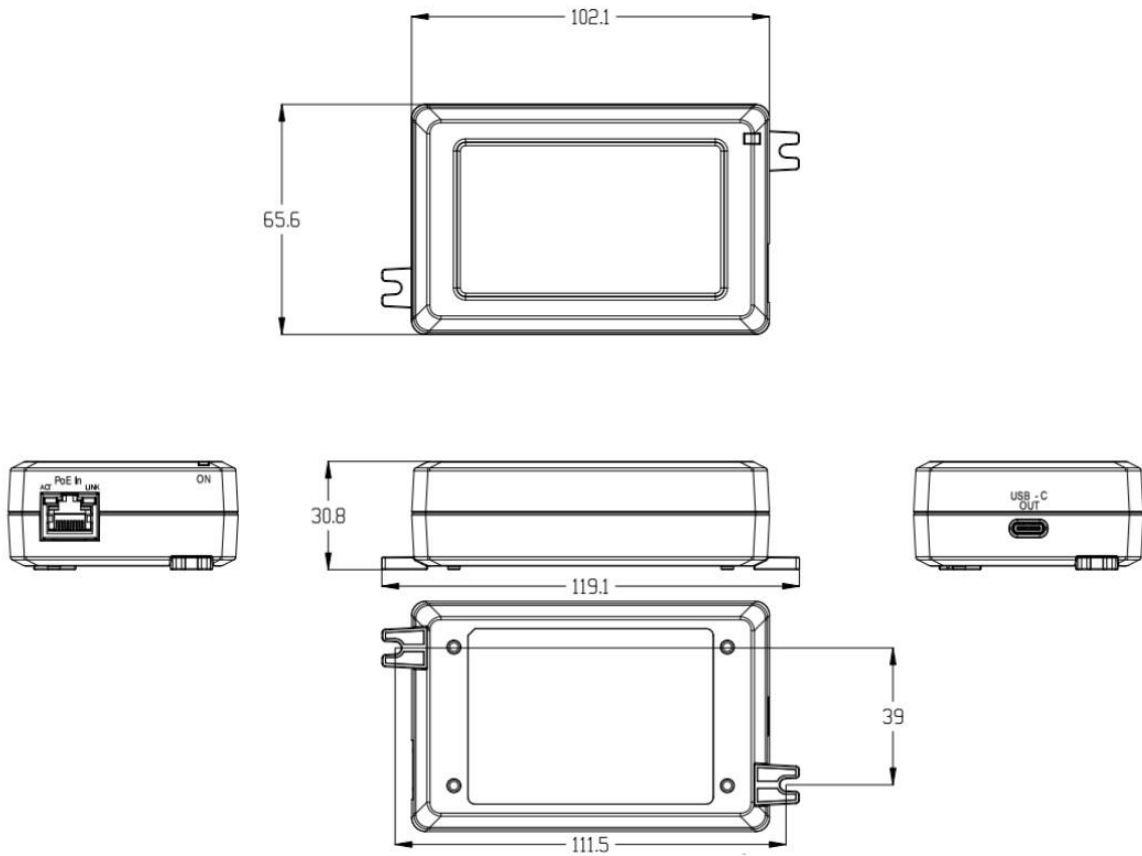


# POEUSB60-1BT Specifications<sup>1</sup>

Model		POEUSB60-1BT-R
Output	DC Output Voltage	5.0V/9.0V/12V/15.0V/20.0V
	Max Current	3.0A/3.0A/3.0A/3.0A/3.0A
	Output Power	60W
	Regulation	± 2% Line (3% for 5V) / ± 2% Load (3% for 5V)
	Ripple & Noise P-P(max) <sup>2</sup>	250mV
Input	DC Input Voltage Range	44V to 56V
	Input Current	1.6A max.
	Efficiency	5V: 73%; 9V: 81%; 12V: 83%; 15V: 84%; 20V: 85%
Protection	Over-Voltage	24VDC max. Non-latching
	Short Circuit	Hiccup mode. Output can be shorted permanently without damage.
	Over-Current	Hiccup mode
Environmental	Operating Temperature	-20°C to +40°C
	Non-Operating Temperature	-20°C to +65°C
	Operating Humidity	5% to 90% RH max
Emissions & Immunities	EMC and Immunities	EN55032 Class B IEC 61000-4-2 (10KV contact discharge/12KV air discharge), IEC 61000-4-3 (3V/M), IEC 61000-4-4 (±2kV 5/50nS 5KHz), IEC 61000-4-5 (Unshielded Sym. Data Lines: 0.5KV, Shielded Sym. Data Lines: 1KV)
Mechanical	Dimensions (L x W x H)	119.1mm (4.69in) x 65.6mm (2.58in) x 30.8mm (1.21in)
	Weight	128g
	DC Output Connector	USB-C
	Input Connector	RJ45 Jack
Indicator Lights	LED	LED #1: Blue – Indicator for output power “on” LED #2 (RJ45): Orange – Indicator for data activity LED #3 (RJ45): Green – Indicator for link speed
Notes	<ol style="list-style-type: none"> <li>The specifications defined are at ambient temperature of 25°C, unless otherwise specified.</li> <li>Using 20MHz bandwidth frequency oscilloscope and measured using socket probe across 100uF electrolytic and 0.1uF ceramic capacitors at the barrel connector output (nominal line voltage, full load).</li> </ol>	



# POEUSB60-1BT Outline Drawing



# Mouser Electronics

Authorized Distributor

Click to View Pricing, Inventory, Delivery & Lifecycle Information:

[Phihong:](#)

[POEUSB60BT-R](#) [POEUSB60-1BT-R](#)