



## 19.6W Single Port Power over Ethernet Midspan IEEE802.3af Compliant Power Injector



### Features

- Compliant with IEEE802.3af Standard
- Non-vented Case
- Full Protection OVP, OCP
- Limited Power Source
- Gigabit Compatible
- 1 Year Warranty

### Applications

- IP Telephones
- Wireless Access Points
- Bluetooth<sup>®</sup> Access Points
- Security Cameras
- IP Print Servers
- WiMAX<sup>®</sup> Access Points

### Safety Approvals

- CE
- cUL/US

### Mechanical Characteristics

- Length: 140mm (5.51in.)
- Width: 65mm (2.55in.)
- Height: 36mm (1.42in.)
- Weight: 0.2Kg (7.58oz)

### Output Specifications

Model	AC Input	DC Output Voltage	Load		Regulation	
			Min.	Max.	Line	Load
POE21U-1AF	Three Wire	56V	10mA	350mA	±5%	
POE21W-1AF	Two Wire	56V	10mA	350mA	±5%	

Phihong is not responsible for any error, and reserves the right to make changes without notice. Please visit our website at [www.phihong.com](http://www.phihong.com) for the most up-to-date specifications and contact information.

**INPUT:**

**AC Input Voltage Rating**  
100 to 240VAC

**AC Input Voltage Range**  
90 to 264VAC

**AC Input Current**  
0.8A (RMS) maximum at 120VAC  
0.55A (RMS) maximum at 240VAC

**AC Input Frequency**  
47 to 63Hz

**Leakage Current**  
U Model – 350uA maximum  
W Model – 250uA maximum

**Max In-rush Current**  
60A maximum at 240VAC and maximum load  
(Cold Start at ambient 25°C)

**OUTPUT:**  
**Output Power**  
19.6W

**Hold up Time**  
10mSec minimum at maximum load at 120VAC, 60Hz

**Transient O/P Voltage Protection**  
60V maximum at switch on/off at any AC line phase

**Efficiency**  
80% Typical at maximum load at 120VAC, 60Hz

**Environment**  
Operating Temperature                   0 to +40°C  
Non-operating Temperature           -20 to +65°C

Relative Humidity                         5 to 90%

**EMI**

EN55022 Class B  
FCC part 15 Class B

**EMC**

ESD:	IEC61000-4-2	Level 3
RS:	IEC61000-4-3	Level 3
EFT/Burst:	IEC61000-4-4	Level 2
Surge:	IEC61000-4-5	Level 3
CS:	IEC61000-4-6	Level3
Voltage Dips:	IEC61000-4-11	
Harmonic:	IEC61000-3-2	Class A

**Isolation (HI-POT)**

Primary to secondary: 1500VAC for 1 minute, 10mA

**Insulation Resistance**

Primary to secondary: 10M Ohm 500VDC

**FEATURES:**

**Cisco**

No extern parts required for Legacy devices:  
VoIP Phones: 7910, 7912, 7940, 7960  
Access Points: 1040, 1140, 1250, 1260, 3500

**Over Voltage/Current, Short Circuit Protection**

The output is equipped with short-circuit protection and overload protection as per the IEEE 802.3af specification and conforms to UL60950-2. The output can be shorted permanently without damage.

**Indicator (Status)**

Solid Green: Valid IEEE802.3af load detected and connected “ON”  
Blinking Green: Power “ON” ready for connection  
Blinking Red/Green: Invalid load connected  
Blinking Red: fault

**AC Input Connector**

U models - IEC320 inlet 3-pin C14  
W models – IEC320 inlet 2-pin C8

**Output Connection**

+pins 3,6 / -pins 1,2

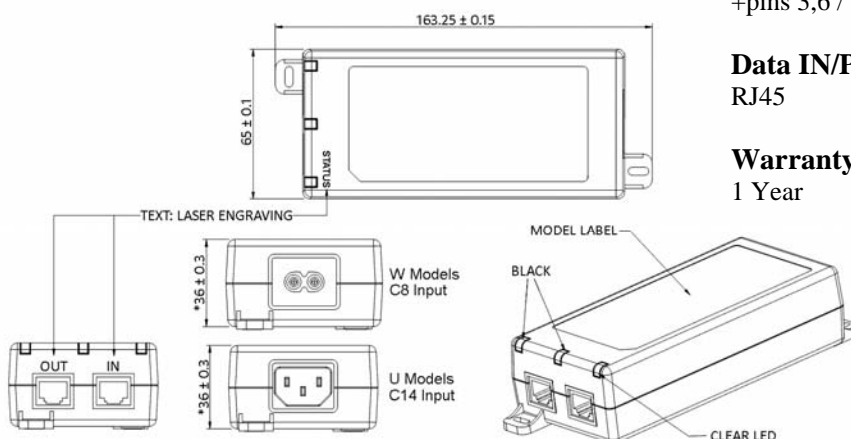
**Data IN/POE OUT Connector**

RJ45

**Warranty**

1 Year

**Dimension Diagram Unit: mm**



# Mouser Electronics

Authorized Distributor

Click to View Pricing, Inventory, Delivery & Lifecycle Information:

[Phihong:](#)

[POE21W-1AF-R](#) [POE21U-1AF](#)