

# Keystone Shielded Jack Modules

## specifications

Category 6A/Class E<sub>A</sub>, 8-position, shielded jack module shall terminate 4-pair, 22 – 24 AWG, 100 ohm shielded twisted pair cable and shall not require use of a punchdown tool. Shielded jack modules shall use a forward motion termination method to optimize performance. The termination cap shall include a universal label coded for T568A and T568B wiring schemes. Jack shall utilize a die-cast housing. The jack wire cap shall be fully encapsulated with the housing when terminated. The Shielded Jack Module must be installed as part of the Keystone Shielded Copper Cabling System to achieve IEEE 10GBASE-T certified performance.



## technical information

<b>Category 6A/Class E<sub>A</sub> performance:</b>	Meets ANSI/TIA-568.2-D Category 6A and ISO 11801 Class E <sub>A</sub> channel requirements for supporting 10GBASE-T transmission over twisted pair cabling systems in a 4-connector configuration up to 100 meters at swept frequencies 1 to 500 MHz Meets ANSI/TIA-568.2-D and ISO 11801 Category 6A component requirements at swept frequencies up to 500 MHz
<b>FCC compliance:</b>	Complies with ANSI/TIA-1096A (formerly FCC Part 68); contacts plated with 50 microinches of gold
<b>IEC compliance:</b>	Meets IEC 60603-7 and IEC 60512-99-002
<b>Operating temperature:</b>	-10° C to 60° C (14° F to 140° F)
<b>PoE compliance:</b>	Compliant with IEEE 802.3af, 802.3at, and 802.3bt type 1, 2, 3, and 4 for power up to 100W.
<b>RoHS compliance:</b>	Compliant
<b>Conductor termination range:</b>	Wire cap compatible with 22 – 24 AWG solid or stranded cable with conductor insulation diameters of 0.060 in. max and overall cable O.D. 0.200 in. to 0.330 in.

## key features and benefits

<b>Die-Cast Housing</b>	Provides a robust design to protect against physical and electromagnetic damage.
<b>Integral shield</b>	Provides a 360° conductive path to ground with no additional assembly required
<b>Snap in grounding</b>	Shield provides seamless bonding of the jack module with Keystone All Metal Modular Patch Panels
<b>Modular</b>	Shielded jack modules snap in and out of all Keystone Faceplates, Metal Modular Patch Panels and Surface Mount Boxes for easy moves, adds, and changes
<b>Robust Construction</b>	Rated for 750 cycles

## applications

Keystone Shielded Jack Modules are a component of the Keystone Shielded Copper Cabling System. This end-to-end system provides a cost effective medium for ensuring that network bandwidth needs are easily met today and tomorrow. This shielded system provides excellent EMI suppression and aids in secure data transmission. The Panduit solution helps ensure organizations efficiently and reliably meet their data transmission needs. The Keystone form factor allows for easy interoperability with other shielded solutions designed to the keystone standard. With certified

performance to the ISO 11801 Class E<sub>A</sub>, IEEE 802.3an-2006 10GBASE-T and ANSI/TIA-568.2-D Category 6A standards, this system will support high bandwidth applications with data centers and connections to high end workstations such as stacking switches and switch-to-switch links, storage area networks, aggregation of Gigabit Ethernet channels, real-time intensive financial transactions, streaming video, animation, scientific modeling and medical imaging.

### Keystone Shielded Copper Cabling System

#### Keystone Shielded Jack Modules

**Jack module:** KJS6X88TC

#### Shielded Copper Cable (23AWG)

**Cat 7A, S/FTP, B2ca** PSW7A04WH-HED  
**Cat6A U/FTP, Cca** PUFY6x04WH-HED

#### Shielded Patch Cords

**Meter lengths:** STP6X^^MIG

#### Keystone Flat Shielded Modular Patch Panels

**24-port, 1 RU:** KP24WSBL

#### Keystone Faceplates

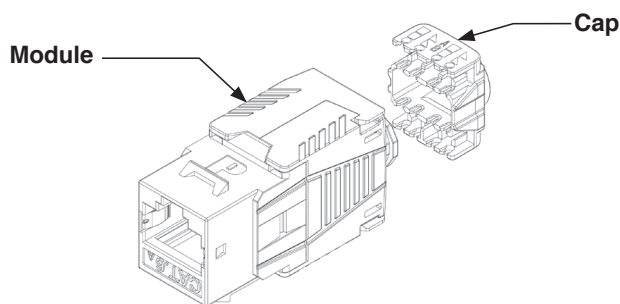
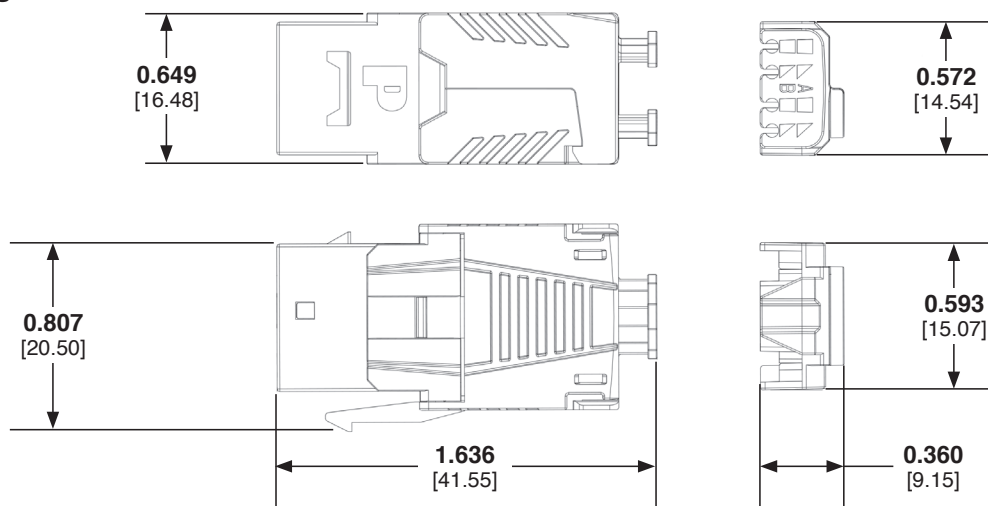
**80mmX80mm Faceplate:** KFPL80S2SWH  
**86mmX86mm Faceplate Assm:** KFPL86S2SWH  
**Wire stripping tool:** CJAST

# Keystone Shielded Jack Modules

## Test Results

Performance Test	Test Method	Measurement	Test Results
Normal Force	–	Load (grams)	> 100
Durability	IEC 512-9a	Circuit Resistance (mOhms)	< 40
Mating/Un-mating	IEC 512-3b	Mating Force (N)	< 20
		Un-mating Force (N)	< 20
Termination Cycles	IEC 352	Number of Cycles	> 20
Mating Cycles	IEC 60603-7	Number of Plug Insertions	> 750
Insertion Force	–	–	> 30 N
Retention Strength	–	Load Between Plug and Jack	7.7 N
Electrical Test	Test Method	Measurement	Test Results
Low Level Circuit Resistance	IEC 512-2a	Resistance (mOhms)	< 20
Dielectric Withstand Voltage	IEC 512-4a	1000 VAC, 1 minute	Passed
Insulation Resistance	IEC 512-3a	Resistance (MOhms)	> 500
Flowing Mixed Gas Corrosion	IEC 512-11g	Circuit Resistance (mOhms)	< 40

## Part Drawing



Dimensions are in inches (Dimensions in parentheses are metric)

### WORLDWIDE SUBSIDIARIES AND SALES OFFICES

PANDUIT US/CANADA  
Phone: 800.777.3300

PANDUIT EUROPE LTD.  
London, UK  
Phone: 44.20.8601.7200

PANDUIT SINGAPORE PTE. LTD.  
Republic of Singapore  
Phone: 65.6305.7575

PANDUIT JAPAN  
Tokyo, Japan  
Phone: 81.3.6863.6000

PANDUIT LATIN AMERICA  
Guadalajara, Mexico  
Phone: 52.33.3777.6000

PANDUIT AUSTRALIA PTY. LTD.  
Victoria, Australia  
Phone: 61.3.9794.9020

For a copy of Panduit product warranties, log on to [www.panduit.com/warranty](http://www.panduit.com/warranty)

For more information

Visit us at [www.panduit.com](http://www.panduit.com)

[iai@panduit.com](mailto:iai@panduit.com)

**PANDUIT**<sup>®</sup>

©2019 Panduit Corp.  
ALL RIGHTS RESERVED.  
COSP454--WW-ENG  
4/2019

# Mouser Electronics

Authorized Distributor

Click to View Pricing, Inventory, Delivery & Lifecycle Information:

[Panduit:](#)

[KJS6X88TC](#)