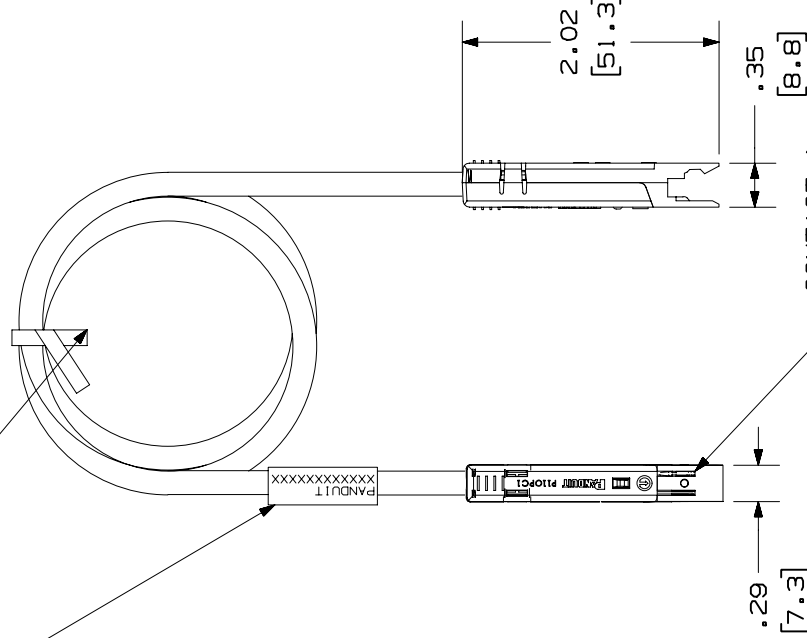


THIS COPY IS PROVIDED ON A RESTRICTED BASIS AND IS NOT TO BE USED IN ANY WAY DETRIMENTAL TO THE INTERESTS OF PANDUIT CORP.

CONTACT	CABLE WIRE COLOR
1	WHITE/BLUE
2	BLUE

IDENTIFICATION LABEL

TWIST TIE



- NOTES:
- SEE CURRENT CATALOG FOR VARIOUS APPLICATIONS AND TO INDICATE PACKAGE QUANTITY.
 - USED WITH PATCHCORDS OR CONNECTING BLOCKS.
 - FEATURES INCLUDE A CLEAR CAP TO ENSURE PROPER WIRE SEQUENCE AND CONNECTOR ORIENTATION, RETAINING CLIPS SECURE THE JACKET CLOSE TO THE POINT OF TERMINATION WHICH MINIMIZES STRESS ON WIRES DURING DISCONNECTION.
 - POLARIZED TO PREVENT REVERSE INSTALLATION TO CONNECTOR BLOCK.
 - CATEGORY 3 UNSHIELDED TWISTED PAIR CABLE WITH 24AWG STRANDED TINNED COPPER CONDUCTOR.
 - DIMENSIONS IN PARENTHESES ARE IN METRIC.

PANDUIT P/N	MIN. CABLE LENGTH	WEIGHT
P110PC1162	2 FT.	.24 LB/10 PCS (112.1 g/10 PCS)
P110PC1163	3 FT.	.31 LB/10 PCS (144.5 g/10 PCS)
P110PC1164	4 FT.	.38 LB/10 PCS (176.9 g/10 PCS)
P110PC1165	5 FT.	.45 LB/10 PCS (209.3 g/10 PCS)
P110PC1166	6 FT.	.52 LB/10 PCS (241.7 g/10 PCS)
P110PC1167	7 FT.	.59 LB/10 PCS (274.1 g/10 PCS)
P110PC1168	8 FT.	.66 LB/10 PCS (306.5 g/10 PCS)
P110PC1169	9 FT.	.73 LB/10 PCS (338.9 g/10 PCS)
P110PC11612	12 FT.	1.03 LB/10 PCS (466.1 g/10 PCS)
P110PC11615	15 FT.	1.15 LB/10 PCS (533.3 g/10 PCS)
P110PC11618	18 FT.	1.36 LB/10 PCS (630.5 g/10 PCS)
P110PC116.5M	.5M	.22 LB/10 PCS (100.45g/10 PCS)
P110PC1161M	1M	.33 LB/10 PCS (153.6 g/10 PCS)
P110PC1161.5M	1.5M	.45 LB/10 PCS (206.8 g/10 PCS)
P110PC1162M	2M	.56 LB/10 PCS (259.9 g/10 PCS)
P110PC1163M	3M	.79 LB/10 PCS (366.2 g/10 PCS)
P110PC1164M	4M	1.02 LB/10 PCS (472.5 g/10 PCS)
P110PC1165M	5M	1.25 LB/10 PCS (578.8 g/10 PCS)
P110PC1166M	6M	1.48 LB/10 PCS (685.1 g/10 PCS)

DRAWING FILENAME M00228BG_DC_02C.PRT

TITLE CATEGORY 3 110 PATCHCORD CUSTOMER DRAWING

PANDUIT R
TINLEY PARK, IL 60477

ALL DIMENSIONS ARE GIVEN IN INCHES, UNLESS OTHERWISE SPECIFIED.
(.X) ±.031(.8) (-.XXX) ±.010(.3)
(.XX) ±.005 (-.XX) ±.005

THIRD ANGLE PROJECTION

DRAWN BY JSP DATE 3-25-98

REVIEW DRAWING NUMBERS

SCALE NONE

PART NO. P110PC1***

DRAWING NO. 00228-05

REV	DATE	BY	CHK	DESCRIPTION	ECN	R	CUST	SUP	OTH
4	4-12-02	MDJr							
3	12-13-00	TA	RAV	REPLACE ** WITH 1G IN PART#. F. ADDED TEXT NOTE. E. COMBINED SHEETS 1 AND 2. D. UPDATED TITLE BLOCK.	00228-05				
2	12-01-00	TA	RAV	C. CORRECTED CATEGORY TO CAT 3. B. CORRECTED CATEGORY TO CAT 3.	00228-05	JW1			
1	7-16-98	JSP	FJD	A. ALL P/NS CHANGED.	00228-05	FJD			
R	3-25-98	JSP	FJD	RELEASED TO PRODUCTION.	00228-05	FJD			

SIZE A

B

E

F

Mouser Electronics

Authorized Distributor

Click to View Pricing, Inventory, Delivery & Lifecycle Information:

[Panduit:](#)

[P110PC1IG15](#)