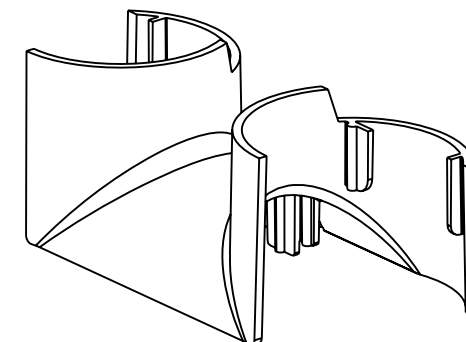
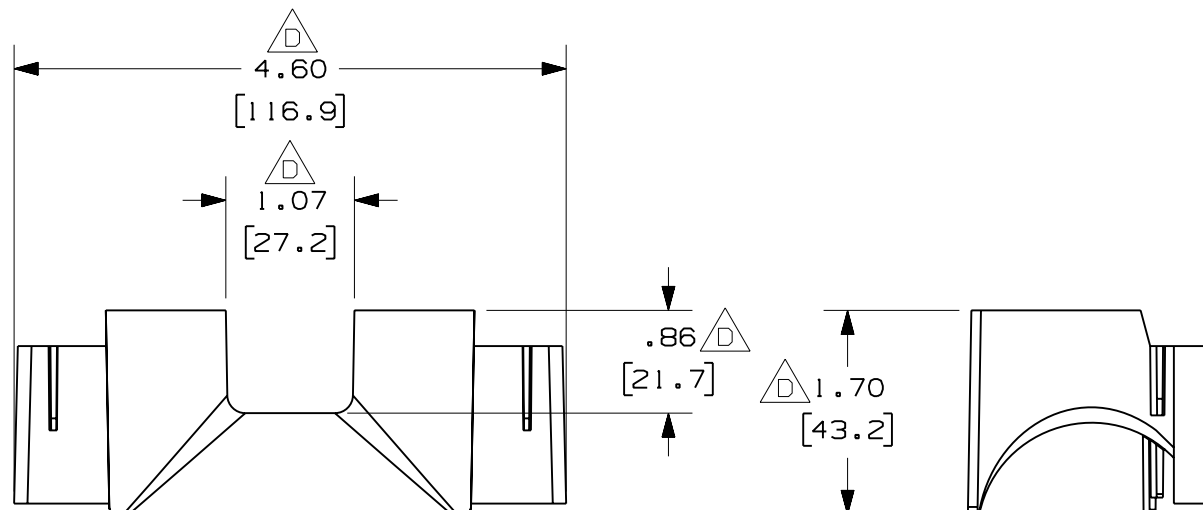
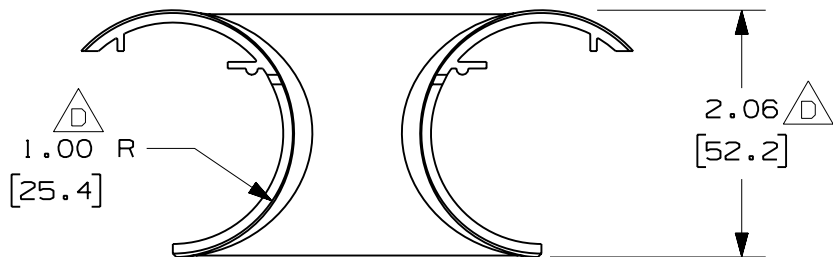


PANDUIT PART NUMBER	WEIGHT
TRC2HDBL	.05 LB/EACH (21g/EACH)



**NOTES:**

1. SEE CURRENT CATALOG FOR ADDITIONAL PART SUFFIXES TO INDICATE PACKAGE QUANTITY.
2. THE PANDUCT TYPES H AND HS 2x2 WIRING DUCT BEND RADIUS CONTROL TRUMPET ALLOWS FOR CABLES TO SPILL OUT OF THE PANDUCT TYPES H AND HS 2x2 WIRING DUCT WHILE MAINTAINING A 1" (25.4) BEND RADIUS.
3. DIMENSIONS IN PARENTHESES ARE IN METRIC.



ENG. REF.: D38420BG\_DC\_TRC2HDBL\_01.prt

CAD FILENAME/LAYERS

TRC2HDBL.pdf

**PANDUIT** CORP TINLEY PARK, ILLINOIS  
 PANDUCT TYPES H AND HS 2x2 HINGED WIRING DUCT AND FIBERRUNNER 2x2  
 BEND RADIUS CONTROL TRUMPET (TRC2HDBL)  
 CUSTOMER DRAWING

UNLESS OTHERWISE SPECIFIED, DIMENSIONAL TOLERANCES ARE:  
 (.X) ± (.XXX) ±  
 (.XX) ± .03 (.8) ANGLES ±

UNLESS OTHERWISE SPECIFIED, ALL DIMENSIONS ARE GIVEN IN INCHES, THIRD ANGLE PROJECTION.

2	7-21-06	DTP	RN	E. REVISED PART WEIGHT	38420-02	RN	RN		
-	-----	---	---	D. REVISED DIMENSIONS. C. REVISED GENERAL NOTES.	-----	--	--		
1	10-13-05	MSO	SMF	B. REVISED DRAWING TITLE. A. REVISED CAD FILENAME.	38420-02	RN	RN		
R	5-10-02	JHNU	SMF	RELEASED TO PRODUCTION	38420-02	HIW	HIW		
REV	DATE	BY	CHK	DESCRIPTION	ECN	R	CUST	SUP	GMBH

DRAWN BY: JHNU  
 DATE: 5-10-02  
 CHK'D: SMF

MAT'L: ABS

SCALE: NONE  
 DRAWING NO.: 38420-02  
 DWG SIZE: A

# Mouser Electronics

Authorized Distributor

Click to View Pricing, Inventory, Delivery & Lifecycle Information:

[Panduit:](#)

[TRC2HDBL](#)