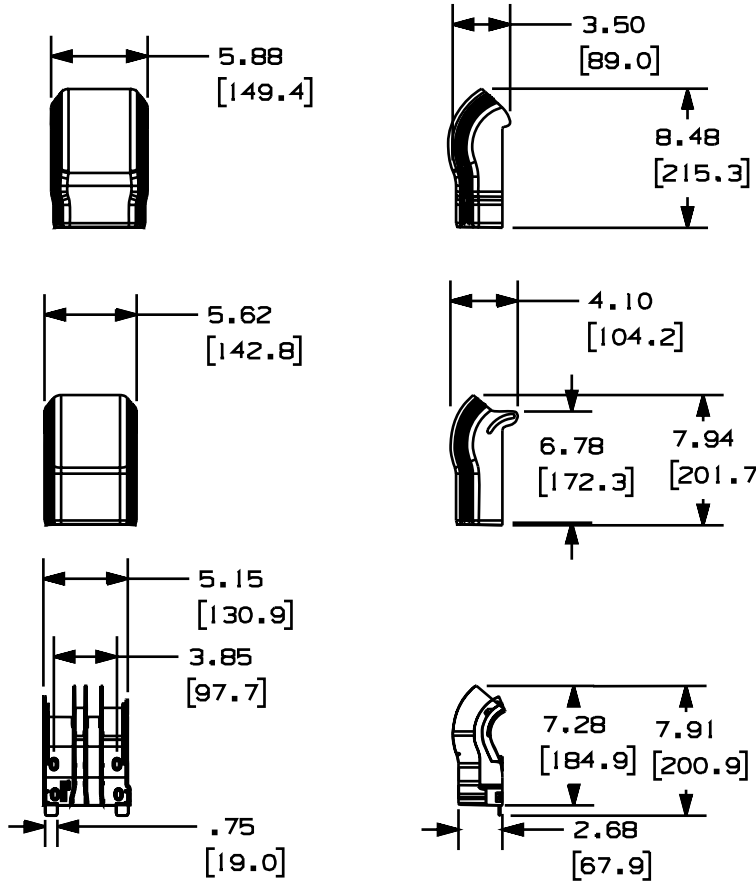
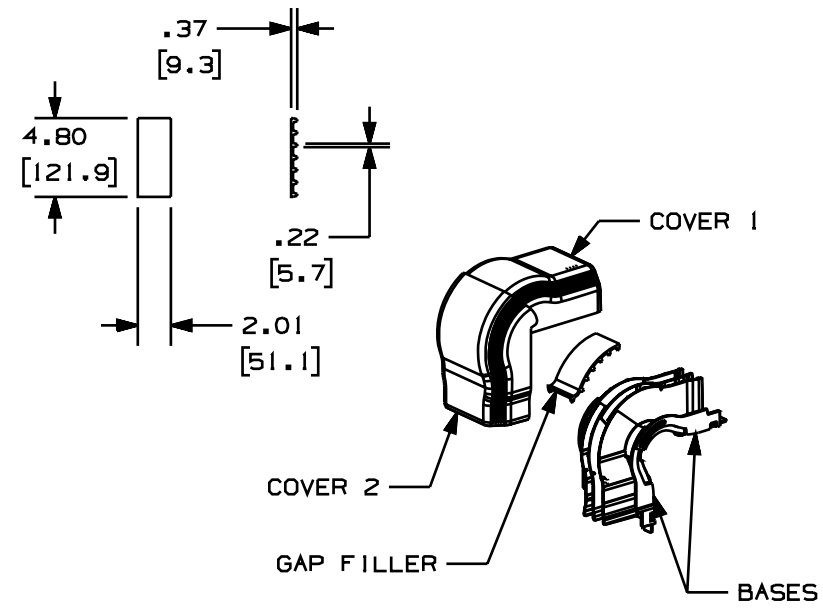


THIS COPY IS PROVIDED ON A RESTRICTED BASIS AND IS NOT TO BE USED IN ANY WAY DETRIMENTAL TO THE INTERESTS OF PANDUIT CORP.



PANDUIT PART NO.	WEIGHT
TGOC	19 LB/ 10 PCS (8820 g/ 10 PCS)



CAD FILENAME/LAYERS D37270DY_DC_TGOC_00A.PRT

PANDUIT CORP. TINLEY PARK, ILLINOIS
 TG OUTSIDE CORNER (TGOC)
 CONTROL DRAWING

UNLESS OTHERWISE SPECIFIED, DIMENSIONAL TOLERANCES ARE:
 (.X) ± .01 (.XXX) ± .005
 (.XX) ± .01 (.3) ANGLES ±

UNLESS OTHERWISE SPECIFIED, ALL DIMENSIONS ARE GIVEN IN INCHES, THIRD ANGLE PROJECTION.

DRAWN BY JHNU	MAT'L SEE NOTES ABOVE	SCALE NONE
DATE 4/10/00		DWG NO. 37270-61
DRW'D JAWA		DWG SIZE A

REV	DATE	BY	CHK	DESCRIPTION	ECN	R	CUST	SUP
R	4/10/00	JHNU	JAWA	RELEASED TO PRODUCTION	37270-61		HIW	HIW

Mouser Electronics

Authorized Distributor

Click to View Pricing, Inventory, Delivery & Lifecycle Information:

[Panduit:](#)

[TGOCEI](#)