

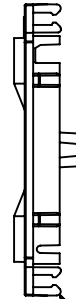
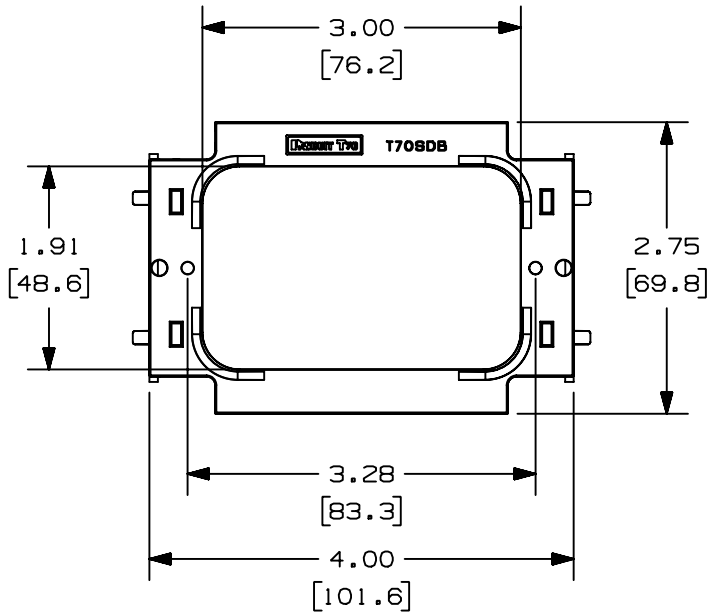
THIS COPY IS PROVIDED ON A RESTRICTED BASIS AND IS NOT TO BE USED IN ANY WAY DETRIMENTAL TO THE INTERESTS OF PANDUIT CORP.

PANDUIT P/N	WEIGHT
T70SDB	.32 LB/10 PCS (147 g/10 PCS)

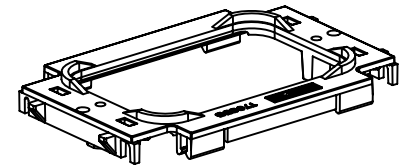


NOTES:

1. SEE CURRENT CATALOG FOR ADDITIONAL PART SUFFIXES TO INDICATE COLOR AND OR PACKAGE QUANTITY.
2. THIS PART IS DESIGNED FOR USE WITH T70, TG, CORNER AND PAN-POLE RACEWAYS.
3. ACCEPTS PANDUIT SNAP-ON AND SCREW-ON STYLE FACEPLATES.
4. DIMENSIONS IN PARENTHESES ARE IN METRIC.



LATCHES FOR ATTACHING TO RACEWAY BASE



CAD FILENAME/LAYERS D38697BA_DC_T70SDB_05A.prt

PANDUIT CORP. TINLEY PARK, ILLINOIS
SNAP-ON DEVICE BRACKET (T70SDB)
 CUSTOMER DRAWING

UNLESS OTHERWISE SPECIFIED, DIMENSIONAL TOLERANCES ARE:
 (.X) ± (.XXX) ±
 (.XX) ±.03 [.8] ANGLES ±

UNLESS OTHERWISE SPECIFIED, ALL DIMENSIONS ARE GIVEN IN INCHES, THIRD ANGLE PROJECTION.

REV	DATE	BY	CHK	DESCRIPTION	ECN	CHK	CUST	SUP
I	01-28-04	JBN	RMHI	A. REVISED GEOMETRY / PART WEIGHT	38697-03	RGRO	RGRO	
R	11-12-03	JHEP	RMHI	RELEASED TO PRODUCTION	38697-03	RGRO	RGRO	

DRAWN BY JHEP
 DATE 11-12-03
 CHECKED BY RMHI

MAT'L: PVC

SCALE NONE

DRAWING NO. 38697-03

DWG SIZE A

Mouser Electronics

Authorized Distributor

Click to View Pricing, Inventory, Delivery & Lifecycle Information:

[Panduit:](#)

[T70SDB-X](#)