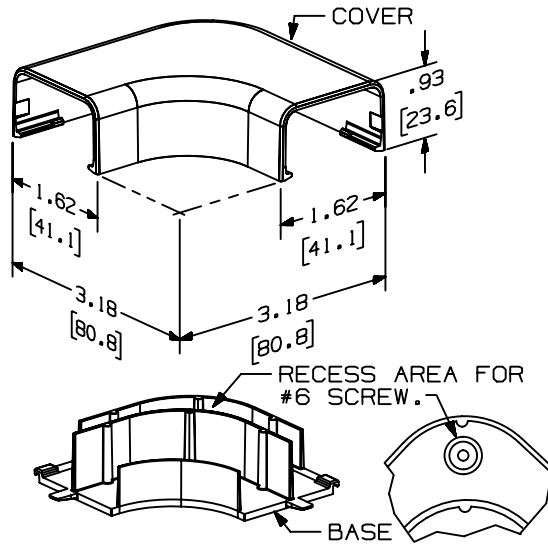


THIS COPY IS PROVIDED ON A RESTRICTED BASIS AND IS NOT TO BE USED IN ANY WAY DETRIMENTAL TO THE INTERESTS OF PANDUIT CORP.

PANDUIT PART NO.	WEIGHT
RAFX10	8.7 LB/100 PCS (3950 g/100 PCS)



- NOTES:
- SEE CURRENT CATALOG FOR ADDITIONAL PART NUMBER SUFFIXES TO INDICATE COLOR AND OR PACKAGE QUANTITY.
 - THIS PRODUCT IS INTENDED TO BE USED WITH PANDUIT TYPE LD10, LDP10 AND LDP210 RACEWAY.
 - NOMINAL WALL THICKNESSES:
BASE = .090 [2.3]
COVER = .070 [1.8]
 - THIS PRODUCT IS FEATURED WITH THE TIA/EIA COMPLIANT BEND RADIUS.
 - DIMENSIONS IN PARENTHESIS ARE IN METRIC.

CAD FILENAME/LAYERS D35013BE_LD_RAFX10_01.PRT

PANDUIT CORP. TINLEY PARK, ILLINOIS
 RIGHT ANGLE FITTING BASE AND COVER (RAFX10)
 CUSTOMER DRAWING

UNLESS OTHERWISE SPECIFIED,
 DIMENSIONAL TOLERANCES ARE:
 (.X) ± (.XXX) ±.015 (.4)
 (.XX) ±.03 (.8) ANGLES ±

UNLESS OTHERWISE SPECIFIED,
 ALL DIMENSIONS ARE GIVEN
 IN INCHES, THIRD ANGLE PROJECTION.

REV	DATE	BY	CHK	DESCRIPTION	ECN	CHK	CUST	SUP	DRAWN BY	DATE	CHECKED BY	MAT'L:	DRAWING NO.	DWG SIZE
I	03-12-04	JHEP	RGRO	A. REMOVED CD10 FROM NOTE 2	35013-05	RGRO	RGRO		DW	02-13-95	CEF	PVC	35013-05	A
R	02-13-95	DW	CEF	RELEASED TO PRODUCTION	35013-05	CEF	CEF							

SCALE NONE

DRAWING NO.

35013-05

DWG
A
SIZE

Mouser Electronics

Authorized Distributor

Click to View Pricing, Inventory, Delivery & Lifecycle Information:

[Panduit:](#)

[RAFX10IG-X](#)