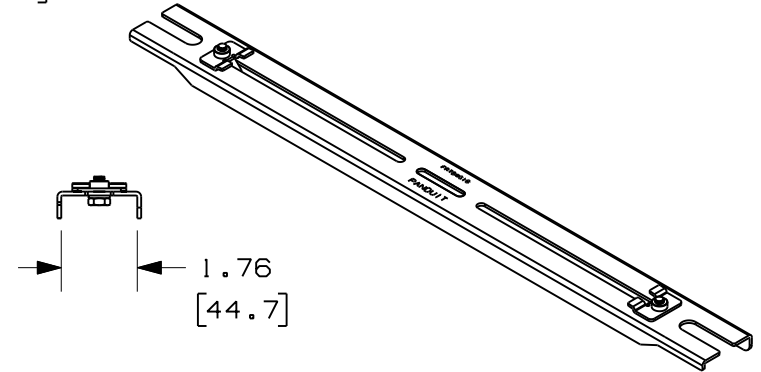
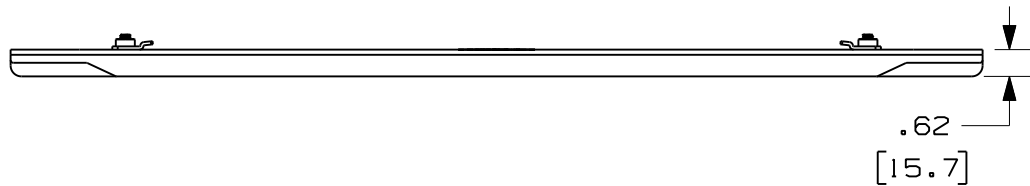
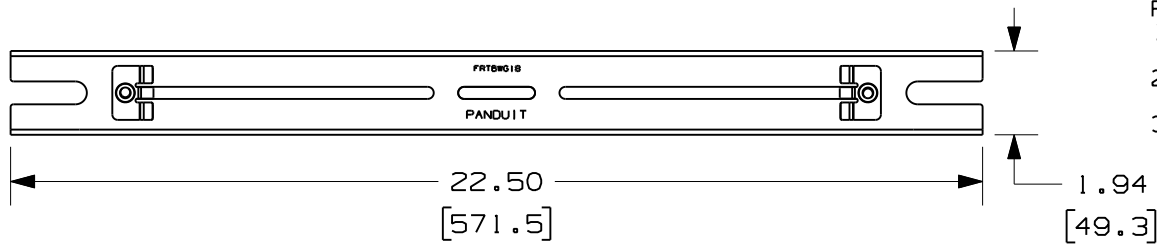


THIS COPY IS PROVIDED ON A RESTRICTED BASIS AND IS NOT TO BE USED IN ANY WAY DETRIMENTAL TO THE INTERESTS OF PANDUIT CORP.

PANDUIT PART NUMBER	WEIGHT
FRTBWG18	1.45 LBS/EACH (657.7 g/EACH)

**NOTES:**

- PANDUIT PART NUMBER FRTBWG18 INCLUDES:  
 1. ONE (1) FIBERRUNNER TRAPEZE BRACKET FOR WYR-GRID 18" PATHWAY  
 2. TWO (2) FIBERRUNNER TRAPEZE BRACKET WYR-GRID CLIP ASSEMBLY.  
 3. DIMENSIONS IN PARENTHESES ARE METRIC.



CAD FILENAME/LAYERS 10D165AB\_DC/00A (FRTBWG18)

PANDUIT CORP. TINLEY PARK, ILLINOIS

FIBERRUNNER TRAPEZE BRACKET FOR WYR-GRID 18" PATHWAY (FRTBWG18)  
 CUSTOMER DRAWING

UNLESS OTHERWISE SPECIFIED,  
 DIMENSIONAL TOLERANCES ARE:  
 (.X) ± (.XXX) ±  
 (.XX) ± .01 (.3) ANGLES ±

UNLESS OTHERWISE SPECIFIED,  
 ALL DIMENSIONS ARE GIVEN  
 IN INCHES, THIRD ANGLE PROJECTION.

DRAWN BY JAHA

MAT'L:

SCALE NONE

DATE 8-3-10

SEE NOTES ABOVE

DRAWING NO. 10D165AB-DC

DWG SIZE A

REV	DATE	BY	CHK	DESCRIPTION	ECN	CHK	CUST	SUP
R	8-3-10	JAHA	EB	RELEASED TO PRODUCTION	10D165AB-DC	RN	RN	

# Mouser Electronics

Authorized Distributor

Click to View Pricing, Inventory, Delivery & Lifecycle Information:

[Panduit:](#)

[FRTBWG18BL](#)