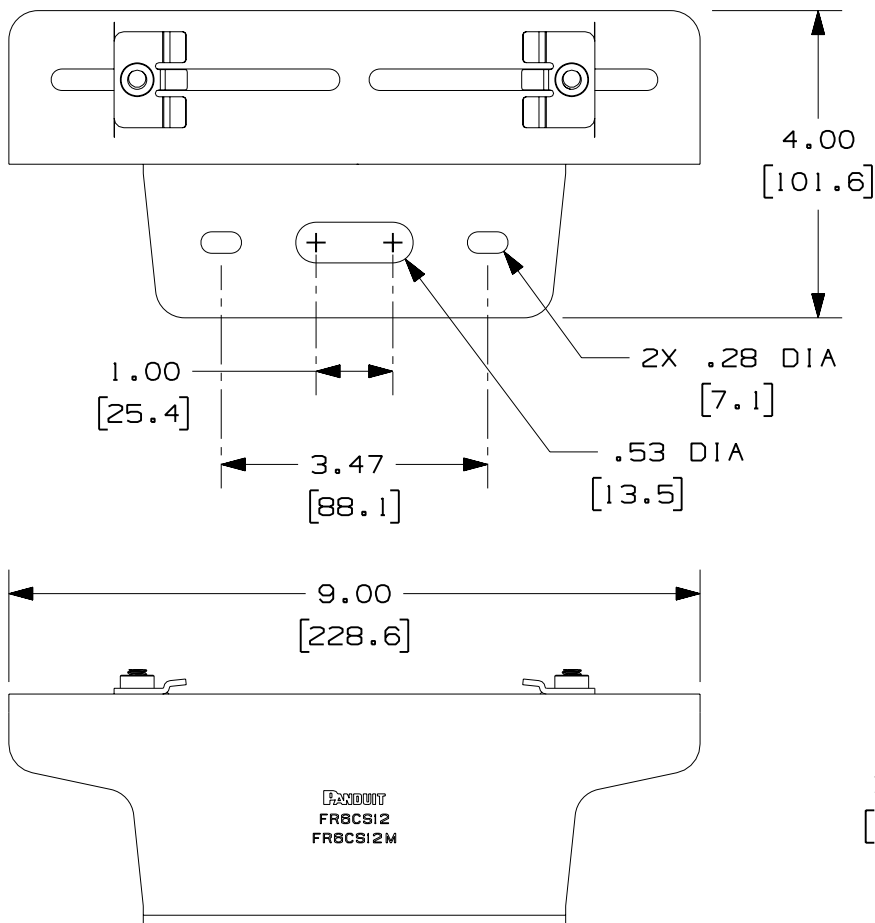


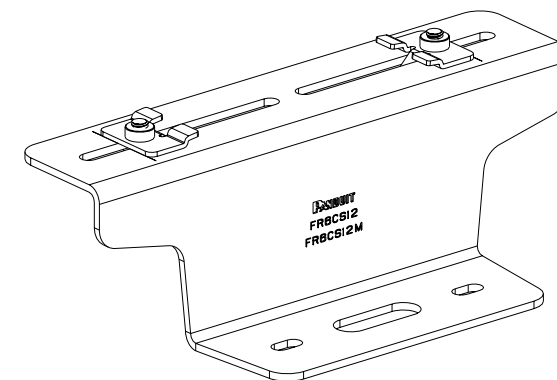
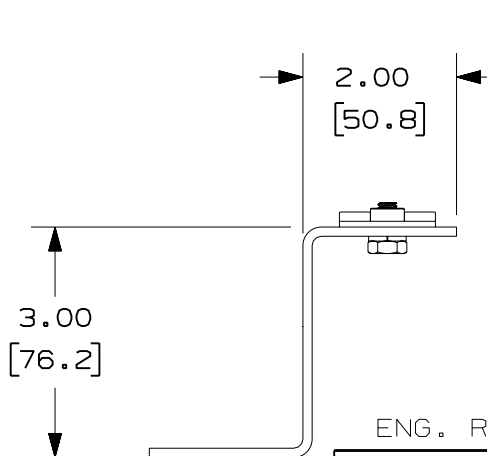


PANDUIT P/N	WEIGHT
FR6CS12 FR6CS12M	1.80 LB/EACH (816g/EACH)



NOTES:

- SEE CURRENT CATALOG FOR ADDITIONAL PART SUFFIXES TO INDICATE PACKAGE QUANTITY.
- THE FIBERRUNNER 4x4 AND 6x4 QUIKLOCK CENTER SUPPORT BRACKET IS USED TO SUPPORT THE FIBERRUNNER 4x4 AND/OR 6x4 CABLE ROUTING SYSTEMS FROM NEW 1/2" (M12) THREADED ROD (NOT INCLUDED).
- THE FIBERRUNNER 4x4 AND 6x4 QUIKLOCK CENTER SUPPORT BRACKET INCLUDES:
ONE (1) BRACKET ASSEMBLY,
TWO (2) 1/2 HELICAL SPRING LOCKWASHERS,
TWO (2) 1/2-13 HEAVY HEX NUTS (FR6CS12 ONLY),
TWO (2) M12x1.75 HEX NUTS (FR6CS12M ONLY).
- FINISH COLOR: BLACK (EXCEPT FOR HARDWARE).
- DIMENSIONS IN PARENTHESES ARE IN METRIC.



ENG. REF.: D38022BL_DC_FR6CS12_03.prt

CAD FILENAME/LAYERS: FR6CS12.pdf

PANDUIT CORP TINLEY PARK, ILLINOIS
FIBERRUNNER 4x4 AND 6x4 QUIKLOCK CENTER
SUPPORT BRACKET - 1/2" (M12) THREADED ROD
(FR6CS12, FR6CS12M)
CUSTOMER DRAWING

UNLESS OTHERWISE SPECIFIED,
DIMENSIONAL TOLERANCES ARE:
(.X) ± (.XXX) ±
(.XX) ± .03 (.8) ANGLES ±

UNLESS OTHERWISE SPECIFIED,
ALL DIMENSIONS ARE GIVEN IN
INCHES, THIRD ANGLE PROJECTION.

DRAWN BY: MSO
DATE: 4-19-01
CHK'D: CFG

MAT'L:

STEEL

SCALE: NONE
DRAWING NO.: 38022-27
DWG SIZE: A

REV	DATE	BY	CHK	DESCRIPTION	ECN	R	CUST	SUP	GMBH
-	-----	---	--	F. REVISED PART WEIGHT.	-----	--	--		
-	-----	---	--	E. REVISED GENERAL NOTES. D. REVISED DRAWING TITLE.	-----	--	--		
2	8-2-06	MSO	RN	C. REVISED CAD FILENAME. B. REVISED AND REDRAWN.	38022-27	RN	RN		

Mouser Electronics

Authorized Distributor

Click to View Pricing, Inventory, Delivery & Lifecycle Information:

[Panduit:](#)

[FR6CS12](#)