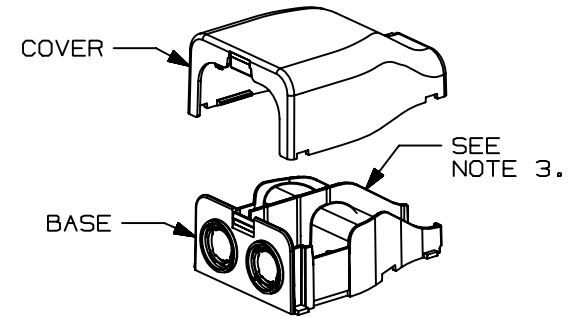
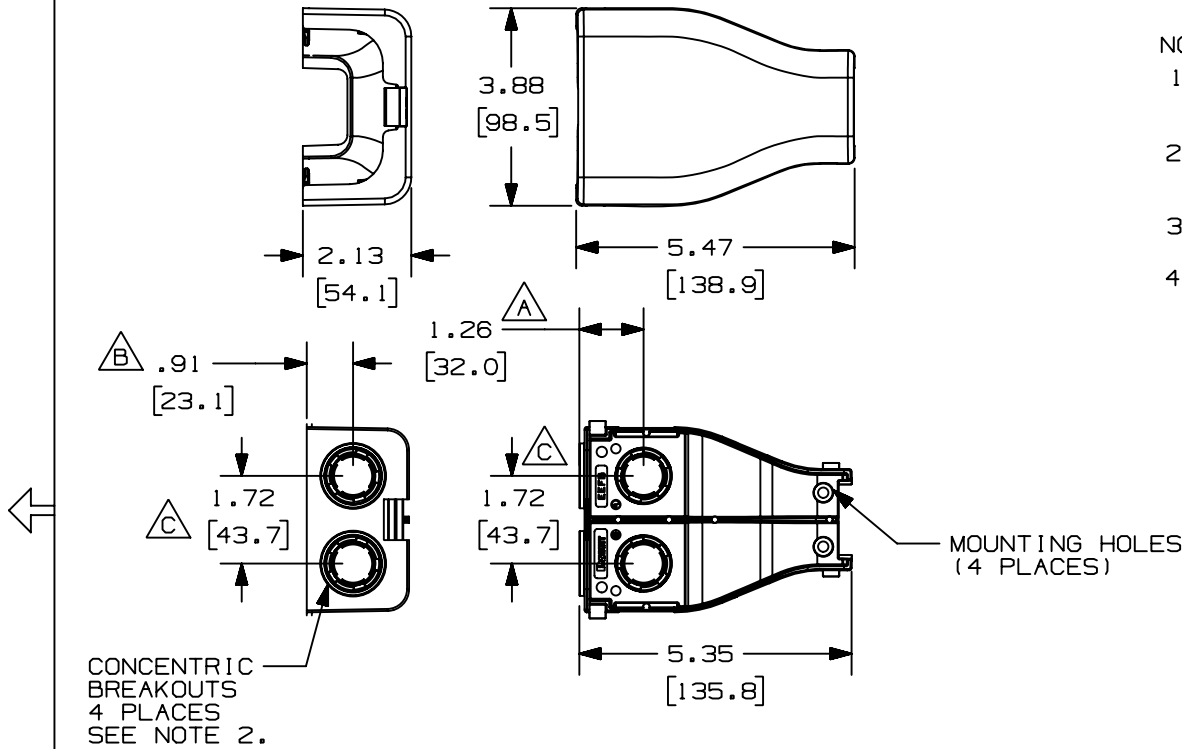


THIS COPY IS PROVIDED ON A RESTRICTED BASIS AND IS NOT TO BE USED IN ANY WAY DETRIMENTAL TO THE INTERESTS OF PANDUIT CORP.

PANDUIT P/N	WEIGHT
EEFX	3.9 LB/10 PCS (1765 g/10 PCS)

NOTES:

- SEE CURRENT CATALOG FOR ADDITIONAL PART SUFFIXES TO INDICATE COLOR AND OR PACKAGE QUANTITY.
- CONCENTRIC BREAKOUTS TO ACCOMMODATE CONDUIT SIZES OF 1/2" AND 3/4" DIAMETERS.
- DIVIDER WALL FOR MAINTAINING POWER AND DATA ENTRY SEPARATION.
- DIMENSIONS IN PARENTHESES ARE IN METRIC.



CAD FILENAME/LAYERS D36626B1\_DC\_EEFX\_LD2P10\_01

PANDUIT CORP. TINLEY PARK, ILLINOIS  
LD2P10 ENTRANCE END FITTING (EEFX)  
CUSTOMER DRAWING

UNLESS OTHERWISE SPECIFIED, DIMENSIONAL TOLERANCES ARE:  
(.X) ± (.XX) ±  
(.XX) ±.03(.8) ANGLES ±

UNLESS OTHERWISE SPECIFIED, ALL DIMENSIONS ARE GIVEN IN INCHES, THIRD ANGLE PROJECTION.

REV	DATE	BY	CHK	DESCRIPTION	ECN	CHK	CUST	SUP	DRAWN BY	DATE	CHECKED BY	MAT'L:	SCALE	DWG NO.	DWG SIZE
-	-----	----	----	C. ADDED 1.72 DIMENSION	36626-04	---	---		DW	05-06-98	HIW	PVC	NONE	36626-04	A
1	01-26-00	JHNU	HIW	B. ADDED .91 DIMENSION A. ADDED 1.26 DIMENSION	36626-04	HIW	HIW								
R	05-06-98	DW	HIW	RELEASED TO PRODUCTION.	36626-04	HIW	HIW								



# Mouser Electronics

Authorized Distributor

Click to View Pricing, Inventory, Delivery & Lifecycle Information:

Panduit:

[EEFXIG](#) [EEFXEI](#) [EEFXWH](#) [EEFXIW](#)