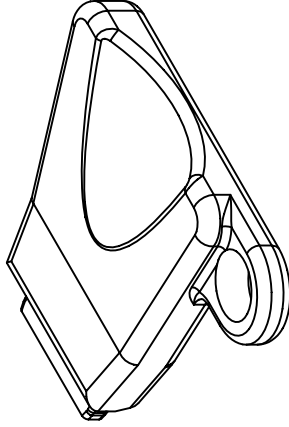
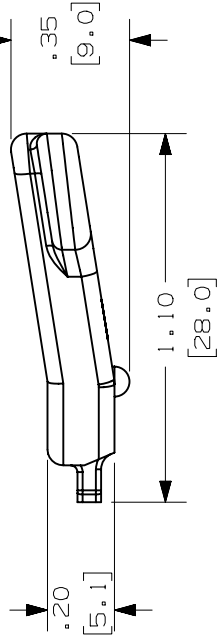
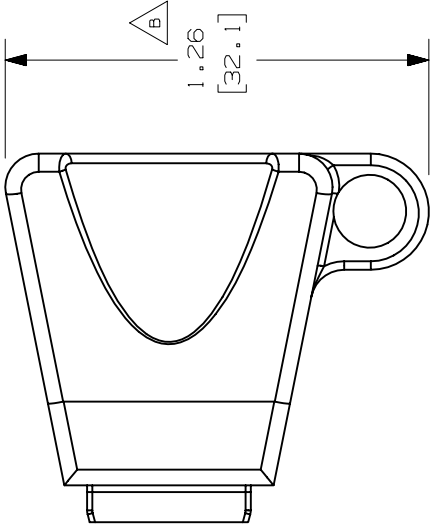


THIS COPY IS PROVIDED ON A RESTRICTED BASIS AND IS NOT TO BE USED IN ANY WAY DETRIMENTAL TO THE INTERESTS OF PANDUIT CORP.

PANDUIT P/N	WEIGHT
CJT	.0066 LB/50 PCS (3.02g/50 PCS)

- NOTES:
- SEE CURRENT CATALOG FOR ADDITIONAL PART NUMBER SUFFIXES TO INDICATE COLOR AND OR PACKAGE QUANTITY.
 - DIMENSIONS IN PARENTHESES ARE IN METRIC.



CAD FILENAME/LAYERS D35071CD_CJT_00C

PANDUIT

CAT. 3 AND CAT. 5E JACK TERMINATION TOOL
 CUSTOMER DRAWING (CJT)

UNLESS OTHERWISE SPECIFIED, DIMENSIONAL TOLERANCES ARE:
 (.X) ± (.XXX) ±
 (.XX) ± (.03(.8) ANGLES ±

UNLESS OTHERWISE SPECIFIED, ALL DIMENSIONS ARE GIVEN IN INCHES, THIRD ANGLE PROJECTION.

DRAWN BY	JBA	MAT'L:	NYLON	SCALE	NONE
DATE	1-30-96	CHECKED BY	CEF	DRAWING NO.	35071-33
ECN	35071-33	CHK	CEF	SUP	
REV	DATE	BY	CHK	DESCRIPTION	DWG SIZE
R	1-30-96	JBA	CEF	RELEASED TO PRODUCTION.	A

UPDATED TO REFLECT PART AS MOLDED
 B. DIM WAS .97 [24.7] CAD MODEL

A. REVISED TITLE.

RELEASED TO PRODUCTION.

DESCRIPTION

REV	DATE	BY	CHK	DESCRIPTION	ECN	CHK	CUST	SUP
R	1-30-96	JBA	CEF	RELEASED TO PRODUCTION.	35071-33	CEF		
		JSP	CEF	A. REVISED TITLE.	35071-33	CEF		
		LZ		UPDATED TO REFLECT PART AS MOLDED B. DIM WAS .97 [24.7] CAD MODEL	35071-33			

Mouser Electronics

Authorized Distributor

Click to View Pricing, Inventory, Delivery & Lifecycle Information:

[Panduit:](#)

[CJT](#)