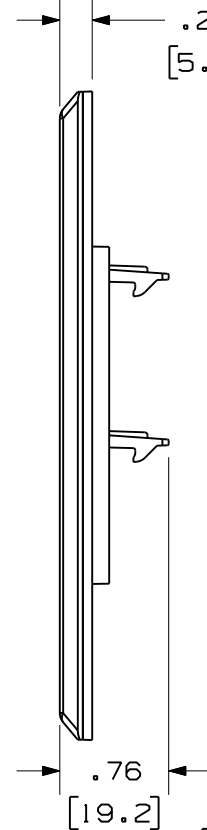
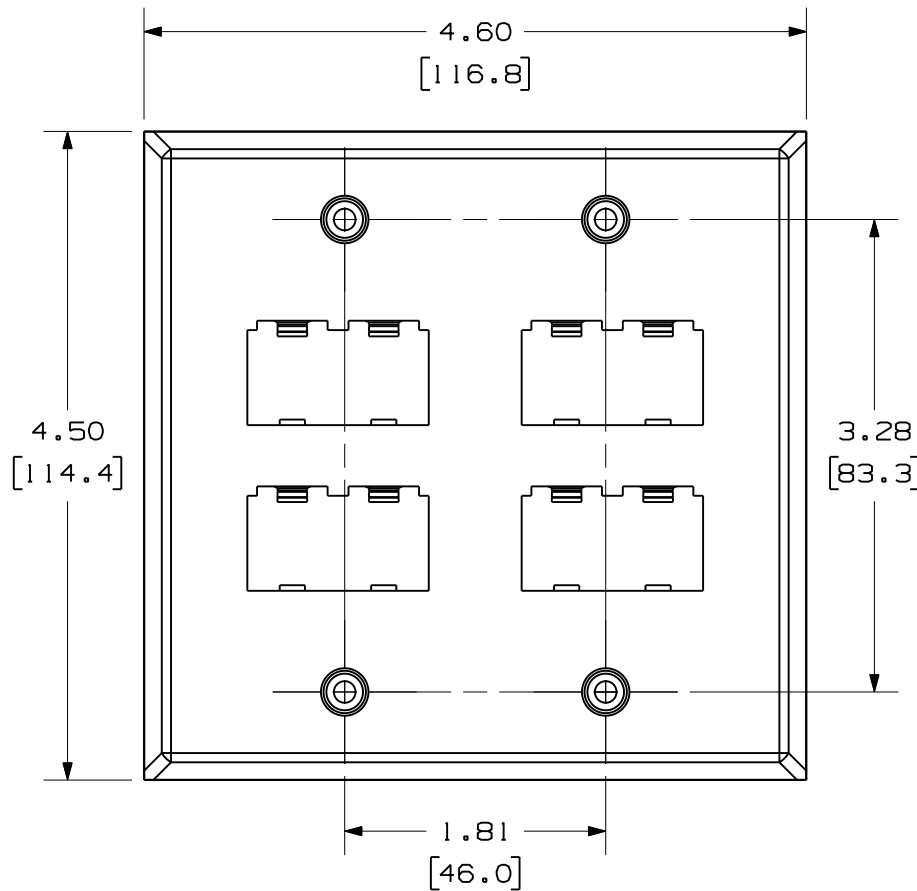


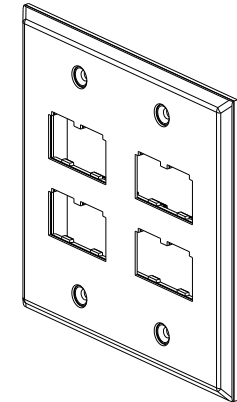
THIS COPY IS PROVIDED ON A RESTRICTED BASIS AND IS NOT TO BE USED IN ANY WAY DETRIMENTAL TO THE INTERESTS OF PANDUIT CORP.

PANDUIT P/N	WEIGHT
CFP8S-2GY	2.37 LB/10 PCS (1078.0 g/10 PCS)



NOTES:

1. SEE CURRENT CATALOG FOR ADDITIONAL PART NUMBER SUFFIXES TO INDICATE COLOR AND OR PACKAGE QUANTITY.
2. SEE CATALOG FOR COMPLETE LIST OF PARTS APPLICABLE FOR USE WITH THIS PART.
3. DIMENSIONS IN PARENTHESES ARE IN METRIC.
5. PART INCLUDES:
1- FACEPLATE
4- #6-32 X 1" MOUNTING SCREW

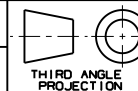


MODEL FILENAME	MO0840AC/00	SIZE	A
DRAWING FILENAME	M02479FG_DC139/01B		

MINI-COM 8 POSITION DOUBLE GANG
STAINLESS STEEL FACEPLATE
CUSTOMER DRAWING

PANDUIT[®]
TINLEY PARK, IL 60487

I.I. NUMBER	N/A
PRODUCT SPEC/ PKG SPEC	N/A
ASSY METHOD/ TEST METHOD	N/A
SCALE	NONE



ALL DIMENSIONS ARE GIVEN IN INCHES, UNLESS OTHERWISE SPECIFIED.
DIMENSIONAL TOLERANCES ARE:
(.X) ± (.XXX) ± .01(0.3)
(.XX) ± .03(0.8) ANGLES ± 1°

DRAWN BY	JsP	REVIEW DRAWING NUMBERS	PART NO.	CFP8S-2GY
DATE	3-18-06	MAT'L	FACEPLATE- 304 STAINLESS STEEL	DRAWING NO.
CHK'D	MJD	BACKING- ABS		02479-139

REV	DATE	BY	CHK	DESCRIPTION	ECN	R	CUST	SUP	OTH
2	1-28-11	BJN		B. DELETED NOTE 4	02479-139				
1	7-30-07	JsP	JCO	A. FACEPLATE MATERIAL WAS 430 S.S.	02479-139	JCO	JCO		
R	3-18-06	JsP	MJD	RELEASED TO PRODUCTION	02479-139				

Mouser Electronics

Authorized Distributor

Click to View Pricing, Inventory, Delivery & Lifecycle Information:

[Panduit:](#)

[CFP8S-2G](#)