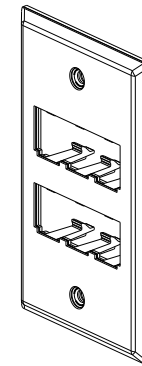
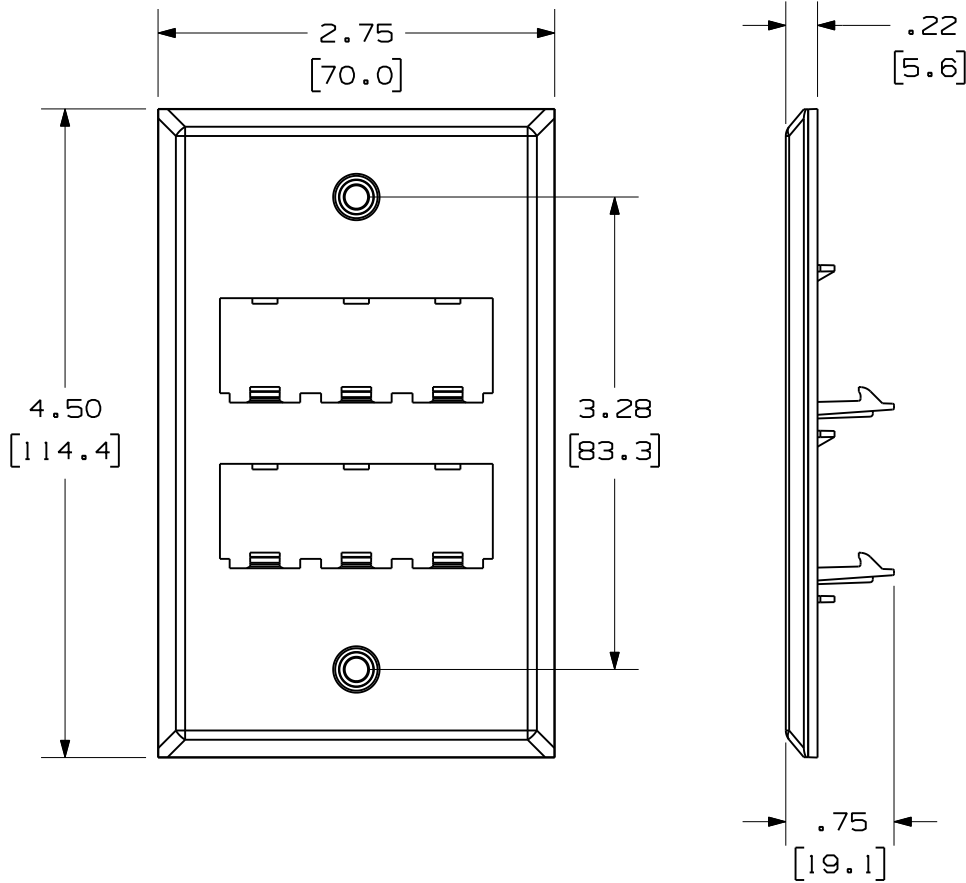


THIS COPY IS PROVIDED ON A RESTRICTED BASIS AND IS NOT TO BE USED IN ANY WAY DETRIMENTAL TO THE INTERESTS OF PANDUIT CORP.

PANDUIT P/N	WEIGHT
CFP6SY	1.47 LB/10 PCS (666.8 g/10 PCS)

NOTES:

1. SEE CURRENT CATALOG FOR ADDITIONAL PART NUMBER SUFFIXES TO INDICATE COLOR AND OR PACKAGE QUANTITY.
2. SEE CATALOG FOR COMPLETE LIST OF PARTS APPLICABLE FOR USE WITH THIS PART.
3. DIMENSIONS IN PARENTHESES ARE IN METRIC.
4. CFP6SY KIT CONTAINS:  
1- FACEPLATE  
2- #6-32 X 1" MOUNTING SCREW

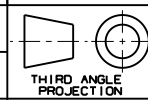


MODEL FILENAME	M02418AA/01	SIZE <b>A</b>
DRAWING FILENAME	M02479FF_DC138/00B	

MINI-COM 6 POSITION STAINLESS STEEL FACEPLATE CUSTOMER DRAWING



I.I. NUMBER	N/A
PRODUCT SPEC/ PKG SPEC	N/A
ASSY METHOD/ TEST METHOD	N/A
SCALE	NONE



ALL DIMENSIONS ARE GIVEN IN INCHES, UNLESS OTHERWISE SPECIFIED.  
DIMENSIONAL TOLERANCES ARE:  
(.X) ± (.XXX) ±.005(1.3)  
(.XX) ±.03(1.8) ANGLES ± 1°

DRAWN BY JsP	REVIEW DRAWING NUMBERS	PART NO. CFP6SY
DATE 4-26-06	MAT'L FACEPLATE- 304 STAINLESS STEEL BACKING- ABS	DRAWING NO. 02479-138
CHK'D MJD		

REV	DATE	BY	CHK	DESCRIPTION	ECN	R	CUST	SUP	OTH
I	1-25-11	BJN		A. FACEPLATE MATERIAL WAS 430 S.S.	02479-138				
R	4-26-06	JsP	MJD	RELEASED TO PRODUCTION	02479-138				

# Mouser Electronics

Authorized Distributor

Click to View Pricing, Inventory, Delivery & Lifecycle Information:

[Panduit:](#)

[CFP6S](#)