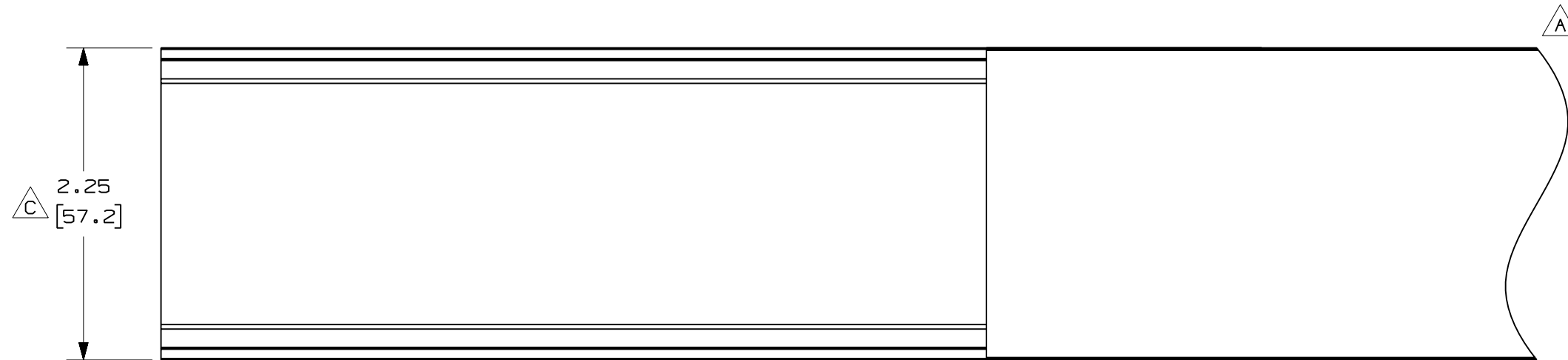
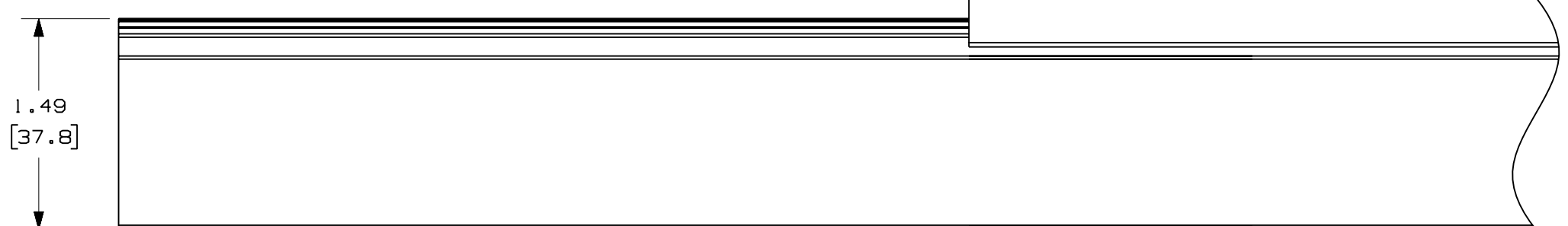
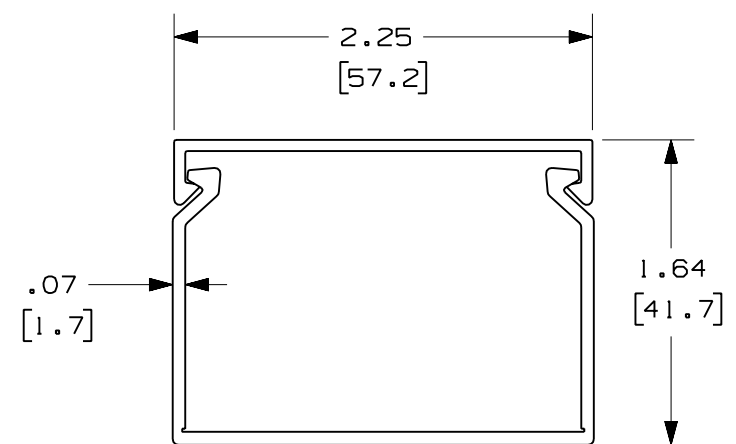


THIS COPY IS PROVIDED ON A RESTRICTED BASIS AND IS NOT TO BE USED IN ANY WAY DETRIMENTAL TO THE INTERESTS OF PANDUIT CORP.



COVER - - PART NUMBER
C2**6 A



DUCT - - PART NUMBER
FS2X1.5**6NM A F

A E

- NOTE.
1. ALL DIMENSIONS ARE REFERENCE ONLY.
 2. DIMENSIONS IN PARENTHESES ARE METRIC.
 3. THE ** DENOTE COLOR.
 4. DUCT AND COVER ARE AVAILABLE IN 6 FT [1828.8] LENGTHS

REV	DATE	BY	CHK	DESCRIPTION
2	8-6-07	JCST	MKBE	D. DELETED DIMENSION C. ADDED DIMENSION
1	10-20-05	JCST	MKBE	B. CHANGED DRAWING SIZE A. ADDED SIDE & TOP VIEWS, LABELS, AND NOTE
R	10-2-03	JHNU	JGG	DRAWING RELEASED

CAD FILENAME/LAYERS		DI1000FE_DC_02B	
PANDUIT CORP. TINLEY PARK, ILLINOIS			
WIRING DUCT - TYPE FS WITH COVER 2 X 1.5 MARKETING DRAWING			
DRAWN BY JHNU	MAT'L: PVC	SCALE FULL	DWG B
DATE 10-2-03	CHECKED BY JGG	DRAWING NO. 36897-896	SIZE B

Mouser Electronics

Authorized Distributor

Click to View Pricing, Inventory, Delivery & Lifecycle Information:

[Panduit:](#)

[FS2X1.5WH6](#)