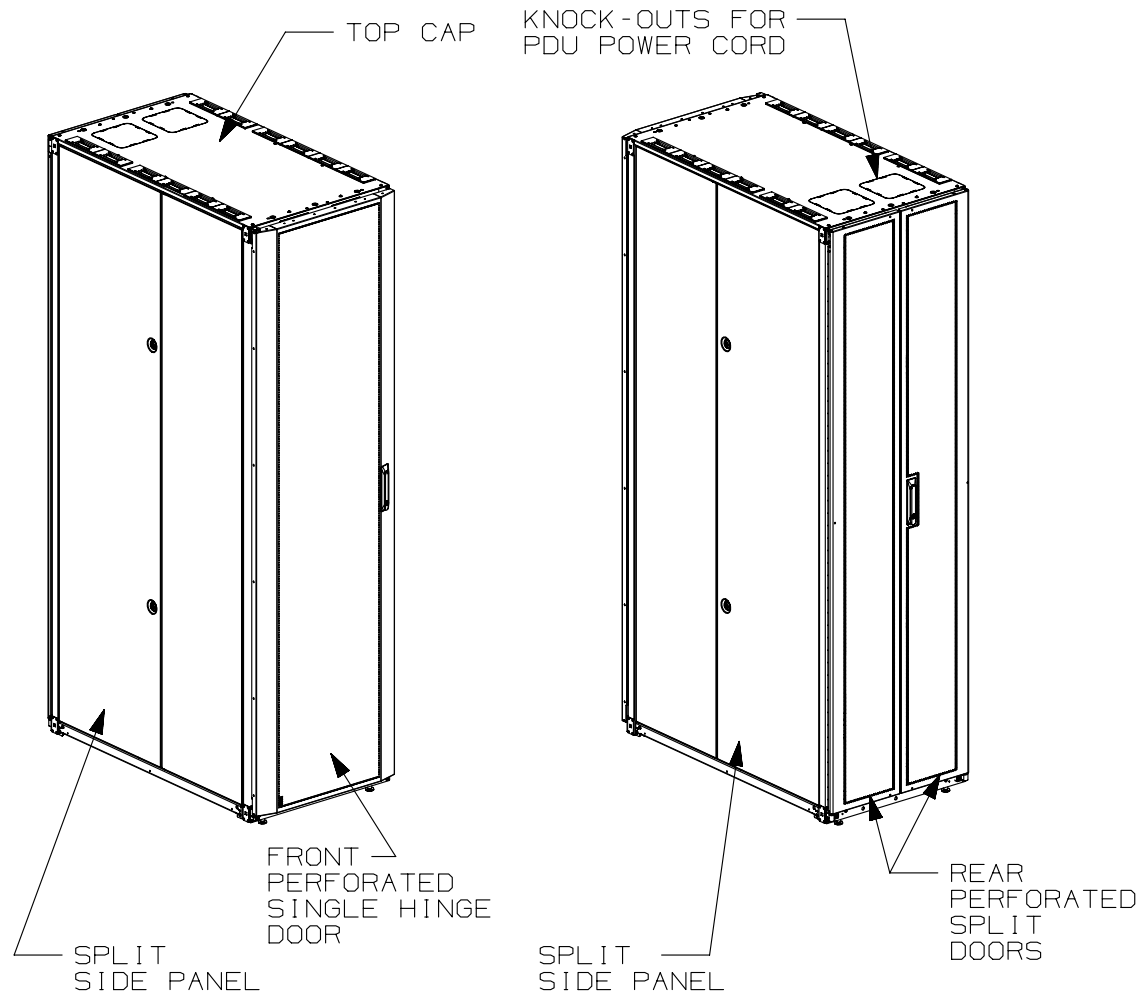


THIS COPY IS PROVIDED ON A RESTRICTED BASIS AND IS NOT TO BE USED IN ANY WAY DETRIMENTAL TO THE INTERESTS OF PANDUIT CORP.



1. VISIT OUR ON-LINE CATALOG AT WWW.PANDUIT.COM FOR A LIST OF CURRENT PARTS APPLICABLE FOR USE WITH THIS PRODUCT.
2. PRIMARY DIMENSIONS ARE IN MILLIMETERS.
3. RAIL ADJUSTMENT MEASUREMENTS ARE TAKEN FROM THE FRONT FACE OF EACH EQUIPMENT RAIL. INDEPENDENT ADJUSTABLE REAR EQUIPMENT MOUNTING RAILS (EIA) ADJUST FROM 65mm [2.6in] TO 357mm [14.05in] AND FROM 521mm [20.5in] TO 765mm [30.1in] WITH PDU BRACKETS AND CABLE MANAGEMENT FINGERS IN PLACE. REMOVING PDU BRACKETS AND OPTIONAL FINGERS INCREASES MAXIMUM E-RAIL SPAN TO 911mm [35.86in].
4. CAN BE USED WITH ANY 19" EIA STANDARD COMPONENT IN ADDITION TO ALL PANDUIT HORIZONTAL CABLE MANAGEMENT AND PATCH PANEL PRODUCTS.
5. EIA UNIVERSAL STANDARD HOLE PROGRESSION ON EQUIPMENT RAILS 15.88mm [.625in], 15.88mm [.625in], 12.70mm [.5in], 15.88mm [.625in], 15.88mm [.625in], 12.7mm [.5in]...ETC.
6. PARTS SUPPLIED:
 - BASE CABINET
 - FRONT PERFORATED SINGLE HINGE DOOR (SEE CHART ON SHEET 2)
 - REAR PERFORATED SPLIT DOOR (SEE CHART ON SHEET 2)
 - EQUIPMENT RAILS FRONT & REAR (SEE CHART ON SHEET 2)
 - PDU BRACKETS (SEE CHART ON SHEET 2)
 - CASTERS (SEE CHART ON SHEET 2)
 - INSTRUCTION SHEET
7. RACK UNIT SPACING NUMERALS ARE CLEARLY PRINTED ON EQUIPMENT MOUNTING RAILS.
8. FULLY BONDED STRUCTURE WHEN ASSEMBLED PER INSTRUCTIONS.
9. STATIC LOAD RATING. 1360 Kg (3000 LBS)
10. ROLLING LOAD RATING. 1133 Kg (2500 LBS)
11. SINGLE POINT GROUND LOCATIONS AT TOP AND BOTTOM OF CABINET.
12. ALL CABINET RAILS ARE INSTALLED NUMBERS UP.
13. MAXIMUM EQUIPMENT DEPTH, 959mm [37.75].

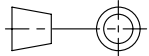
| REV | DATE | BY | CHK | APR | DESCRIPTION | ECN |
|-----|----------|-----|------|------|--------------------------------|-------------|
| O1A | 10-10-14 | PBS | ADP | TCN | FLOOR MOUNT DIMENSIONS UPDATED | V09000BX |
| O0B | 5-14-13 | PBS | NAGL | JDWE | REVISED CHART | 12V305QX-DC |
| O0A | 8-27-12 | TKW | JDW | PBD | RELEASED TO PRODUCTION | 12V305QX-DC |

| | | | |
|--------------------|---------|--|-------|
| TITLE | | NET-ACCESS S TYPE CABINET 600mm WIDE X 1070mm DEEP FAMILY | |
| | | CUSTOMER DRAWING | |
| ITEM REVISION NAME | | 12V305QX/01.PRT | |
| DATASET FILE NAME | | 12V305QX_DC/01A.PRT | |
| | | MATERIAL: N/A | |
| | | DRAWING NUMBER: 12V305QX-DC | |
| DRAWN BY | DATE | CHK | SCALE |
| TKW | 8-27-12 | JDW | NONE |
| | | THIRD ANGLE PROJECTION | |
| | | SHT 1 OF 5 | |
| | | SIZE A | |

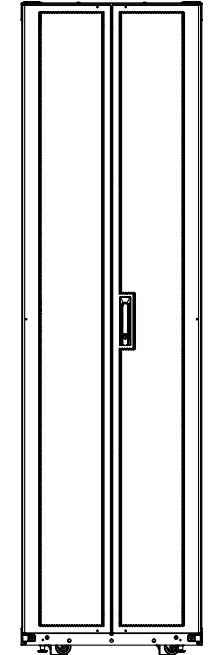
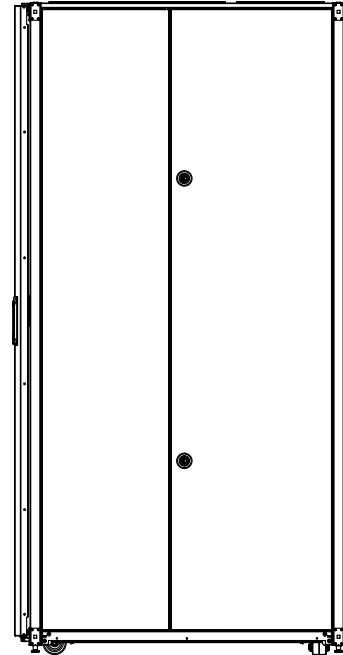
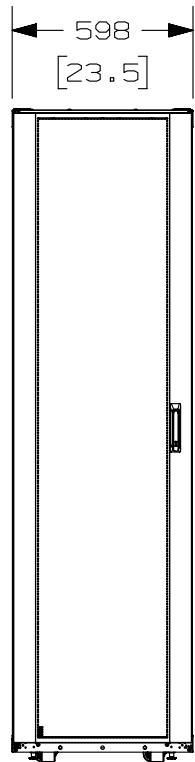
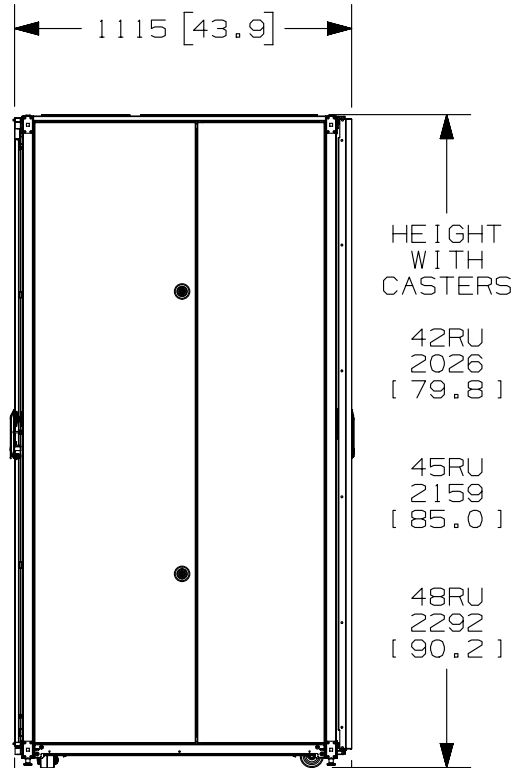
THIS COPY IS PROVIDED ON A RESTRICTED BASIS AND IS NOT TO BE USED IN ANY WAY DETRIMENTAL TO THE INTERESTS OF PANDUIT CORP.

| PART NO. | DESCRIPTION | SINGLE HINGE FRONT DOOR | SPLIT REAR DOOR | SPLIT SIDE PANEL | FRONT CAGE NUT E-RAIL | REAR CAGE NUT FINGER MGMT E-RAIL | REAR CAGE NUT VERTICAL PATCH E-RAIL | STANDARD PDU BRACKETS | CASTERS | CABLE MGMT FINGERS | CABINET WEIGHT FULLY UNPACKAGED | CABINET WEIGHT SHIPPING WEIGHT |
|----------|--|-------------------------|-----------------|------------------|-----------------------|----------------------------------|-------------------------------------|-----------------------|---------|--------------------|---------------------------------|--------------------------------|
| S6212* | NET-ACCESS S-TYPE CABINET 600mm X 42RU X 1070mm DEEP | 01 | 01 | 02 | 02 | 02 | 00 | 02 | 04 | 00 | 114 Kg/EACH 253 LBS/EACH | 135 Kg/EACH 298 LBS/EACH |
| S6512* | NET-ACCESS S-TYPE CABINET 600mm X 45RU X 1070mm DEEP | 01 | 01 | 02 | 02 | 02 | 00 | 02 | 04 | 00 | 119 Kg/EACH 263 LBS/EACH | 139 Kg/EACH 308 LBS/EACH |
| S6812* | NET-ACCESS S-TYPE CABINET 600mm X 48RU X 1070mm DEEP | 01 | 01 | 02 | 02 | 02 | 00 | 02 | 04 | 00 | 123 Kg/EACH 273 LBS/EACH | 144 Kg/EACH 318 LBS/EACH |
| S6219* | NET-ACCESS S-TYPE CABINET 600mm X 42RU X 1070mm DEEP | 01 | 01 | 00 | 02 | 02 | 00 | 02 | 04 | 00 | 81 Kg/EACH 180 LBS/EACH | 102 Kg/EACH 225 LBS/EACH |
| S6519* | NET-ACCESS S-TYPE CABINET 600mm X 45RU X 1070mm DEEP | 01 | 01 | 00 | 02 | 02 | 00 | 02 | 04 | 00 | 84 Kg/EACH 185 LBS/EACH | 104 Kg/EACH 230 LBS/EACH |
| S6819* | NET-ACCESS S-TYPE CABINET 600mm X 48RU X 1070mm DEEP | 01 | 01 | 00 | 02 | 02 | 00 | 02 | 04 | 00 | 86 Kg/EACH 190 LBS/EACH | 106 Kg/EACH 235 LBS/EACH |
| S6212*F | NET-ACCESS S-TYPE CABINET 600mm X 42RU X 1070mm DEEP | 01 | 01 | 02 | 02 | 02 | 00 | 02 | 04 | 01 | 115 Kg/EACH 255 LBS/EACH | 136 Kg/EACH 300 LBS/EACH |
| S6512*F | NET-ACCESS S-TYPE CABINET 600mm X 45RU X 1070mm DEEP | 01 | 01 | 02 | 02 | 02 | 00 | 02 | 04 | 01 | 120 Kg/EACH 265 LBS/EACH | 140 Kg/EACH 310 LBS/EACH |
| S6812*F | NET-ACCESS S-TYPE CABINET 600mm X 48RU X 1070mm DEEP | 01 | 01 | 02 | 02 | 02 | 00 | 02 | 04 | 01 | 125 Kg/EACH 275 LBS/EACH | 145 Kg/EACH 320 LBS/EACH |
| S6219*F | NET-ACCESS S-TYPE CABINET 600mm X 42RU X 1070mm DEEP | 01 | 01 | 00 | 02 | 02 | 00 | 02 | 04 | 01 | 82 Kg/EACH 182 LBS/EACH | 103 Kg/EACH 227 LBS/EACH |
| S6519*F | NET-ACCESS S-TYPE CABINET 600mm X 45RU X 1070mm DEEP | 01 | 01 | 00 | 02 | 02 | 00 | 02 | 04 | 01 | 85 Kg/EACH 187 LBS/EACH | 105 Kg/EACH 232 LBS/EACH |
| S6819*F | NET-ACCESS S-TYPE CABINET 600mm X 48RU X 1070mm DEEP | 01 | 01 | 00 | 02 | 02 | 00 | 02 | 04 | 01 | 87 Kg/EACH 192 LBS/EACH | 107 Kg/EACH 237 LBS/EACH |
| S6212*S | NET-ACCESS S-TYPE CABINET 600mm X 42RU X 1070mm DEEP | 00 | 00 | 02 | 02 | 02 | 00 | 02 | 04 | 00 | 90 Kg/EACH 198 LBS/EACH | 110 Kg/EACH 243 LBS/EACH |
| S6512*S | NET-ACCESS S-TYPE CABINET 600mm X 45RU X 1070mm DEEP | 00 | 00 | 02 | 02 | 02 | 00 | 02 | 04 | 00 | 94 Kg/EACH 208 LBS/EACH | 114 Kg/EACH 253 LBS/EACH |
| S6812*S | NET-ACCESS S-TYPE CABINET 600mm X 48RU X 1070mm DEEP | 00 | 00 | 02 | 02 | 02 | 00 | 02 | 04 | 00 | 99 Kg/EACH 218 LBS/EACH | 119 Kg/EACH 263 LBS/EACH |
| S6219*S | NET-ACCESS S-TYPE CABINET 600mm X 42RU X 1070mm DEEP | 00 | 00 | 00 | 02 | 02 | 00 | 02 | 04 | 00 | 57 Kg/EACH 125 LBS/EACH | 77 Kg/EACH 170 LBS/EACH |
| S6519*S | NET-ACCESS S-TYPE CABINET 600mm X 45RU X 1070mm DEEP | 00 | 00 | 00 | 02 | 02 | 00 | 02 | 04 | 00 | 59 Kg/EACH 130 LBS/EACH | 79 Kg/EACH 175 LBS/EACH |
| S6819*S | NET-ACCESS S-TYPE CABINET 600mm X 48RU X 1070mm DEEP | 00 | 00 | 00 | 02 | 02 | 00 | 02 | 04 | 00 | 61 Kg/EACH 135 LBS/EACH | 81 Kg/EACH 180 LBS/EACH |

* DENOTES COLOR
"B" = BLACK, "W" = WHITE

| | | | | | | | | | | | | |
|-----|----------|-----|------|------|--------------------------------|---|-----------------|-----------------|------------|--|--|---------------|
| | | | | | | TITLE NET-ACCESS S TYPE CABINET 600mm WIDE X 1070mm DEEP FAMILY CUSTOMER DRAWING | | | | | | |
| | | | | | | ITEM REVISION NAME 12V305QX/01.PRT | | | | PANDUIT | | |
| | | | | | | DATASET FILE NAME 12V305QX_DC/01A.PRT | | | | | | |
| | | | | | | MATERIAL: N/A | | | | DRAWING NUMBER: 12V305QX-DC | | |
| O1A | 10-01-14 | PBS | ADP | TCN | SEE SHEET 1 OF 5 FOR REVISIONS | V09000BX | | | | | | |
| O0B | 5-14-13 | PBS | NAGL | JDWE | SEE SHEET 1 OF 5 FOR REVISIONS | 12V305QX-DC | | | | | | |
| O0A | 8-27-12 | TKW | JDW | PBD | SEE SHEET 1 OF 5 FOR REVISIONS | 12V305QX-DC | | | |  THIRD ANGLE PROJECTION | | |
| REV | DATE | BY | CHK | APR | DESCRIPTION | ECN | DRAWN BY TKW | DATE 8-27-12 | CHK JDW | | | SCALE NONE |

THIS COPY IS PROVIDED ON A RESTRICTED BASIS AND IS NOT TO BE USED IN ANY WAY DETRIMENTAL TO THE INTERESTS OF PANDUIT CORP.



1068 [42.0] TILE COVERAGE DEPTH
 47 [1.9] FRONT DOOR DEPTH

RIGID FRONT CASTERS

SWIVEL REAR CASTERS

LEFT VIEW

FRONT VIEW

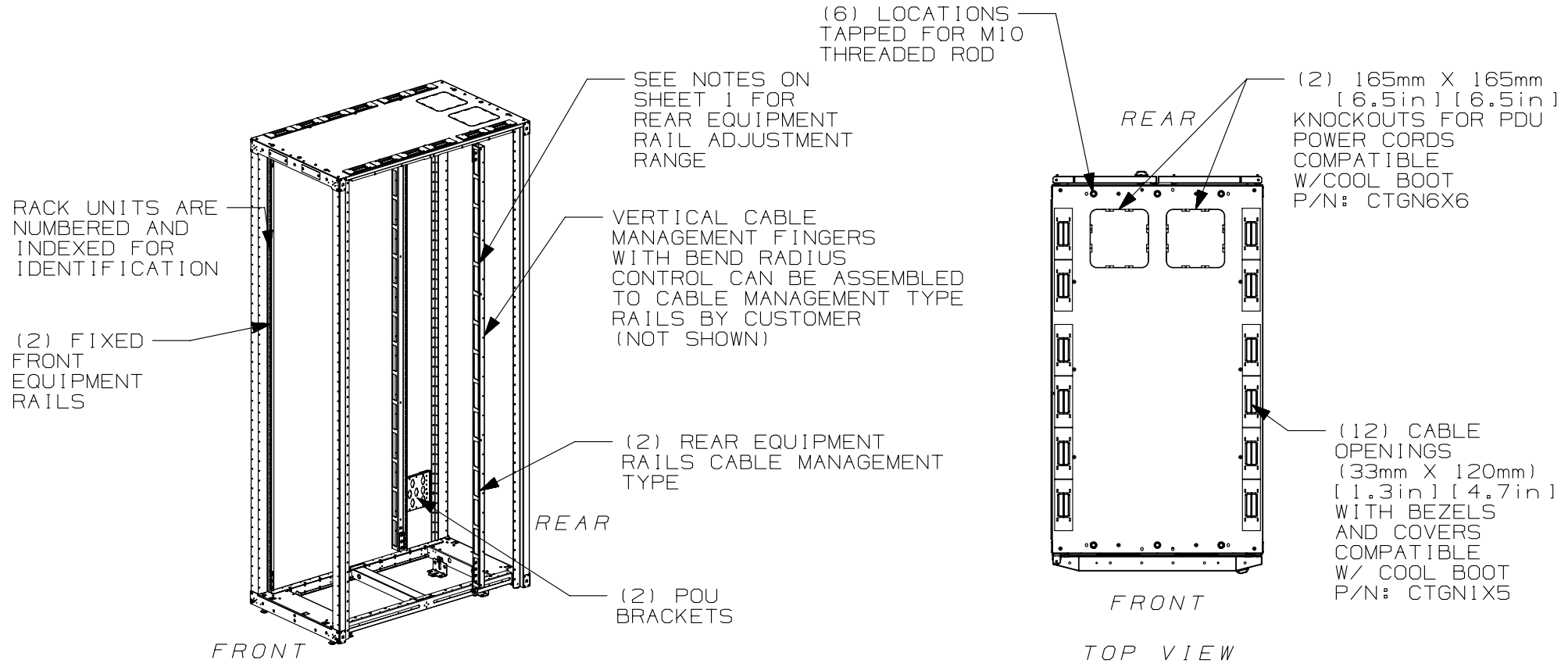
RIGHT VIEW

REAR VIEW

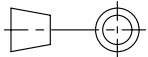
| REV | DATE | BY | CHK | APR | DESCRIPTION | ECN |
|-----|----------|-----|------|------|--------------------------------|-------------|
| 01A | 10-01-14 | PBS | ADP | TCN | SEE SHEET 1 OF 5 FOR REVISIONS | V09000BX |
| 00B | 5-14-13 | PBS | NAGL | JDWE | SEE SHEET 1 OF 5 FOR REVISIONS | 12V305QX-DC |
| 00A | 8-27-12 | TKW | JDW | PBD | SEE SHEET 1 OF 5 FOR REVISIONS | 12V305QX-DC |

| | |
|---|-----------------|
| TITLE NET-ACCESS S TYPE CABINET 600mm WIDE X 1070mm DEEP FAMILY CUSTOMER DRAWING | |
| ITEM REVISION NAME 12V305QX/01.PRT | PANDUIT |
| DATASET FILE NAME 12V305QX_DC/01A.PRT | |
| MATERIAL: N/A | |
| DRAWING NUMBER: 12V305QX-DC | |
| THIRD ANGLE PROJECTION | |
| DRAWN BY TKW | DATE 8-27-12 |
| CHK JDW | SCALE NONE |
| SHT 3 OF 5 | |
| SIZE A | |

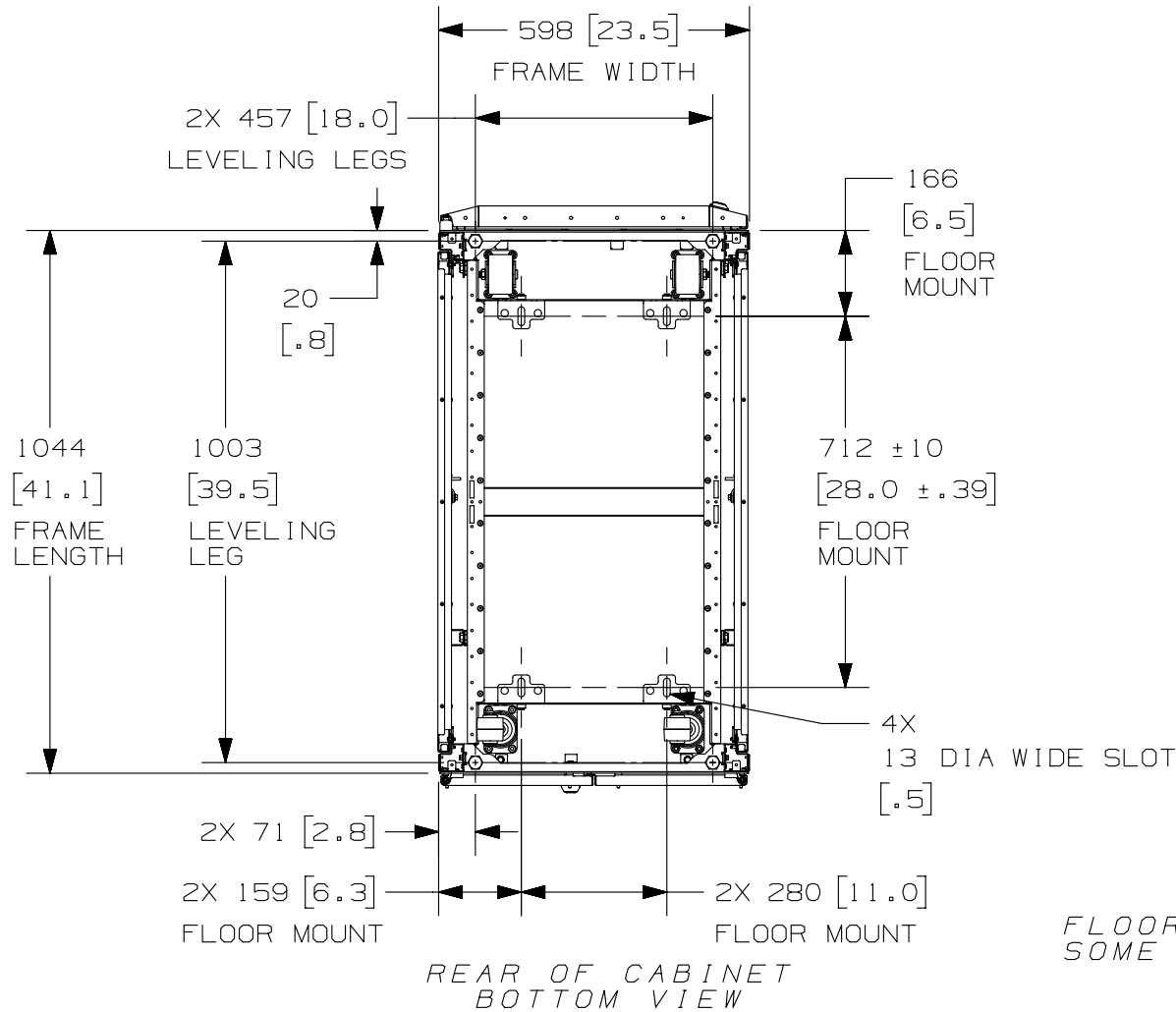
THIS COPY IS PROVIDED ON A RESTRICTED BASIS AND IS NOT TO BE USED IN ANY WAY DETRIMENTAL TO THE INTERESTS OF PANDUIT CORP.



FRONT DOOR, REAR DOOR, AND SIDE PANELS NOT SHOWN

| | | | | | | | |
|-----|----------|-----|------|------|--------------------------------|---|---|
| | | | | | | TITLE NET-ACCESS S TYPE CABINET 600mm WIDE X 1070mm DEEP FAMILY CUSTOMER DRAWING | |
| | | | | | | ITEM REVISION NAME 12V305QX/01.PRT | |
| | | | | | | DATASET FILE NAME 12V305QX_DC/01A.PRT | |
| | | | | | | MATERIAL: N/A | |
| 01A | 10-01-14 | PBS | ADP | TCN | SEE SHEET 1 OF 5 FOR REVISIONS | V09000BX |  THIRD ANGLE PROJECTION DRAWING NUMBER: 12V305QX-DC |
| 00B | 5-14-13 | PBS | NAGL | JDWE | SEE SHEET 1 OF 5 FOR REVISIONS | 12V305QX-DC | |
| 00A | 8-27-12 | TKW | JDW | PBD | SEE SHEET 1 OF 5 FOR REVISIONS | 12V305QX-DC | |
| REV | DATE | BY | CHK | APR | DESCRIPTION | ECN | DRAWN BY: TKW DATE: 8-27-12 CHK: JDW SCALE: NONE SHT 4 OF 5 SIZE: A |

THIS COPY IS PROVIDED ON A RESTRICTED BASIS AND IS NOT TO BE USED IN ANY WAY DETRIMENTAL TO THE INTERESTS OF PANDUIT CORP.



FLOOR MOUNTING HOLE LOCATIONS - SOME PARTS REMOVED FOR CLARITY

| REV | DATE | BY | CHK | APR | DESCRIPTION | ECN |
|-----|----------|-----|------|------|--------------------------------|-------------|
| O1A | 10-01-14 | PBS | ADP | TCN | SEE SHEET 1 OF 5 FOR REVISIONS | V09000BX |
| O0B | 5-14-13 | PBS | NAGL | JDWE | SEE SHEET 1 OF 5 FOR REVISIONS | 12V305QX-DC |
| O0A | 8-27-12 | TKW | JDW | PBD | SEE SHEET 1 OF 5 FOR REVISIONS | 12V305QX-DC |

| | | | |
|------------------------|---------|--|-------|
| TITLE | | NET-ACCESS S TYPE CABINET 600mm WIDE X 1070mm DEEP FAMILY CUSTOMER DRAWING | |
| ITEM REVISION NAME | | 12V305QX/01.PRT | |
| DATASET FILE NAME | | 12V305QX_DC/01A.PRT | |
| MATERIAL: | | N/A | |
| DRAWING NUMBER: | | 12V305QX-DC | |
| DRAWN BY | DATE | CHK | SCALE |
| TKW | 8-27-12 | JDW | NONE |
| THIRD ANGLE PROJECTION | | SHT 5 OF 5 | |
| SIZE | | A | |

Mouser Electronics

Authorized Distributor

Click to View Pricing, Inventory, Delivery & Lifecycle Information:

[Panduit:](#)

[S6212B](#)