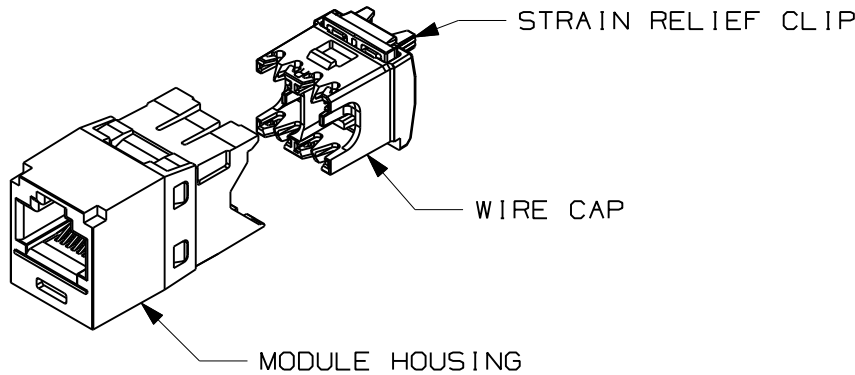


THIS COPY IS PROVIDED ON A RESTRICTED BASIS AND IS NOT TO BE USED IN ANY WAY DETRIMENTAL TO THE INTERESTS OF PANDUIT CORP.

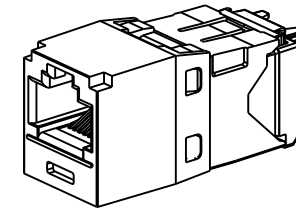
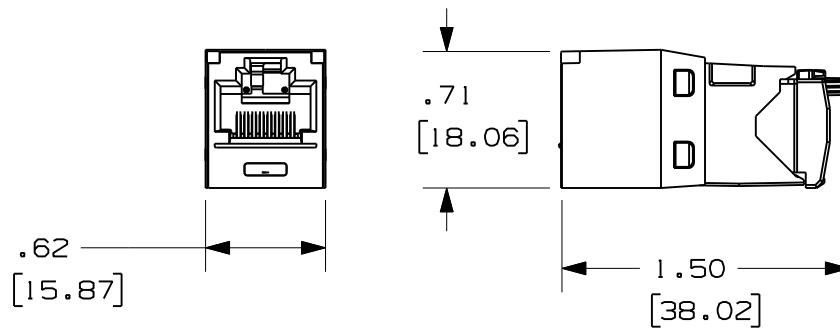
PANDUIT PART#	DESCRIPTION	WEIGHT*
CJ0688TGBL	ALL 8 POSITION, 8 WIRE KEYED MODULES ARE T568B WIRING SCHEMES.	1.53 LB/100 PCS (695g/100 PCS)

*WEIGHT IS APPROXIMATE



NOTES:

1. WHITE WIRE CAP DESIGNATES CATEGORY 6 PERFORMANCE.
2. MATERIAL:
MODULE HOUSING - ABS
WIRE CAP - PC
STRAIN RELIEF CLIP - PC
3. ALL PVIQ TX6 8 POSITION, 8 WIRE, KEYED JACK MODULES ARE MADE TO EXCEPT ONLY PVIQ KEYED PLUG MODULES.
4. DIMENSIONS IN PARENTHESES ARE IN METRIC.



ACTUAL SIZE

MODEL FILENAME M03084EL/00		SIZE A
DRAWING FILENAME M03084EL_DC58/00A		
TITLE PVIQ TX6 MODULAR KEYED JACK MODULE CUSTOMER DRAWING		
PANDUIT ™ CORP. TINLEY PARK, ILL 60477	I.I. NUMBER	
	PRODUCT SPEC	
THIRD ANGLE PROJECTION ALL DIMENSIONS ARE GIVEN IN INCHES, UNLESS OTHERWISE SPECIFIED. DIMENSIONAL TOLERANCES ARE: (.X) ± (.XXX) ±.010(.3) (.XX) ±.03(.8) ANGLES ±	WORK INSTRUCTION	
	SCALE	FULL
DRAWN BY MDJr	REVIEW DRAWING NUMBERS	PART NO. CJ0688TGBL
DATE 01-29-10		DRAWING NO. 03084-58
CHK'D		

REV	DATE	BY	CHK	DESCRIPTION	ECN	R	CUST	SUP	OTH
R	01-29-10	MDJr		RELEASED TO PRODUCTION	03084-58				

Mouser Electronics

Authorized Distributor

Click to View Pricing, Inventory, Delivery & Lifecycle Information:

[Panduit:](#)

[CJQ688TGBL](#)