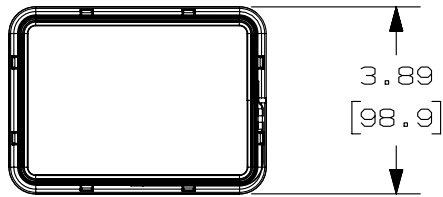


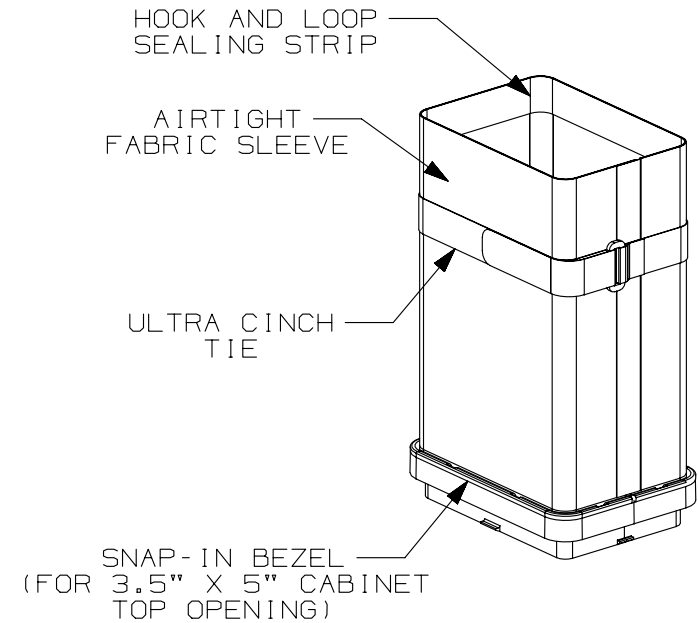
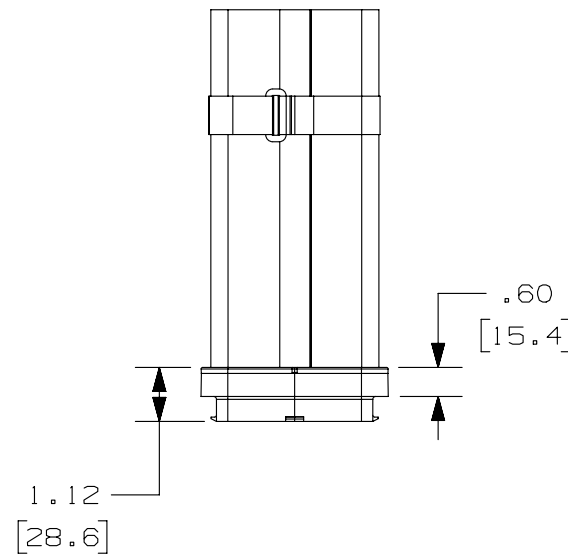
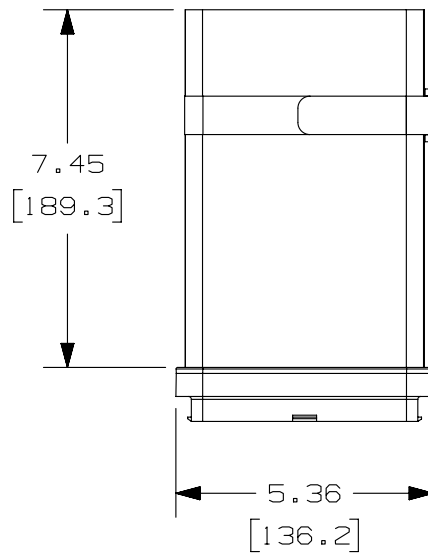
THIS COPY IS PROVIDED ON A RESTRICTED BASIS AND IS NOT TO BE USED IN ANY WAY DETRIMENTAL TO THE INTERESTS OF PANDUIT CORP.

PANDUIT PART NUMBER	WEIGHT
CTGN3X5	.20 LBS/EACH 89.5 GRAMS/EACH



NOTES:

- FOR USE WITH NET-ACCESS CABINETS
- USED TO SEAL OFF 3.5" X 5" CABINET TOP OPENINGS WHEN CABLES ARE ROUTED THROUGH THE TOP OF THE CABINET.
- REQUIRES THAT PANDUIT PART NUMBER CTCN3X5B TO BE INSTALLED INTO 3.5" X 5" CABINET TOP OPENING PRIOR TO CTGN3X5 INSTALLATION.
- FINISH COLOR: BLACK
- DIMENSION IN PARENTHESES ARE IN METRIC



REV	DATE	BY	CHK	APR	DESCRIPTION	ECN
1	02-27-13	SSP	DWR	RN	RELEASED TO PRODUCTION	12D288AA-DC
R	08-20-12	SSP	DWR		DRAWING RELEASED	

TITLE 3.5" X 5" COOL BOOT CABINET TOP AIR SEALING FITTING (CTGN3X5) CUSTOMER DRAWING	
ITEM REVISION NAME 12D288AA/00	PANDUIT TM
DATASET FILE NAME 12D288AA_DC/00B CTGN3X5	
UNLESS OTHERWISE SPECIFIED, DIMENSIONAL TOLERANCES ARE: IN [mm]	
.X ± .XX ± .03 [.8]	.XXX ± ANGLES ±
THIRD ANGLE PROJECTION	
DRAWN BY SSP	DATE 08-20-12
CHK DWR	SCALE NONE
DRAWING NUMBER: 12D288AA-DC	
SHT 1 OF 1	
SIZE A	

D10100DA/12

2

1

2

1

Mouser Electronics

Authorized Distributor

Click to View Pricing, Inventory, Delivery & Lifecycle Information:

[Panduit:](#)

[CTGN3X5](#)