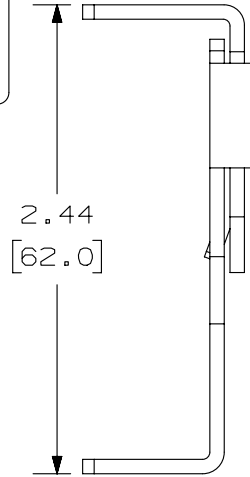
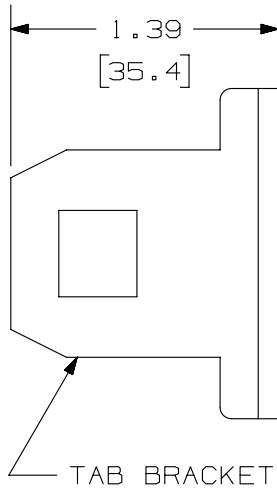
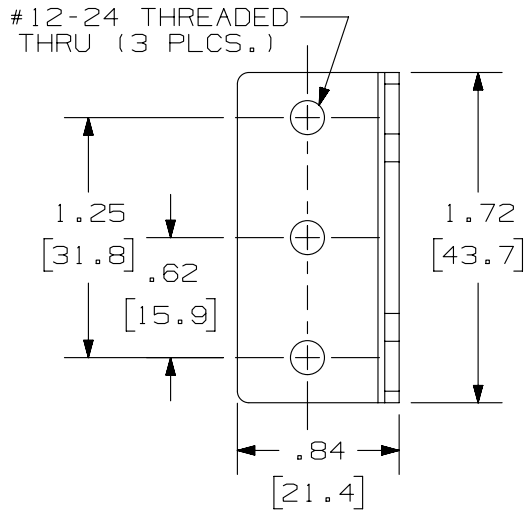
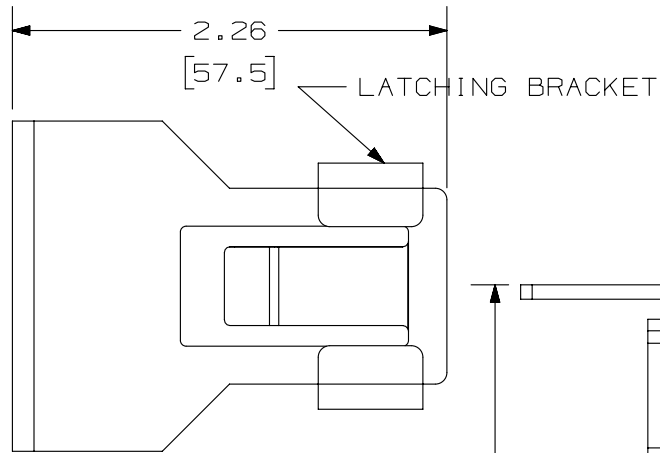
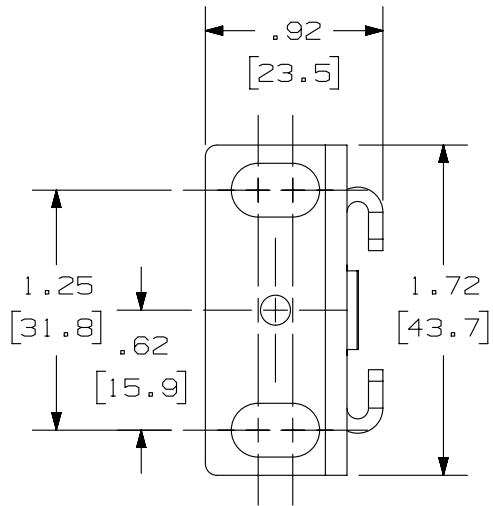


THIS COPY IS PROVIDED ON A RESTRICTED BASIS AND IS NOT TO BE USED IN ANY WAY DETRIMENTAL TO THE INTERESTS OF PANDUIT CORP.

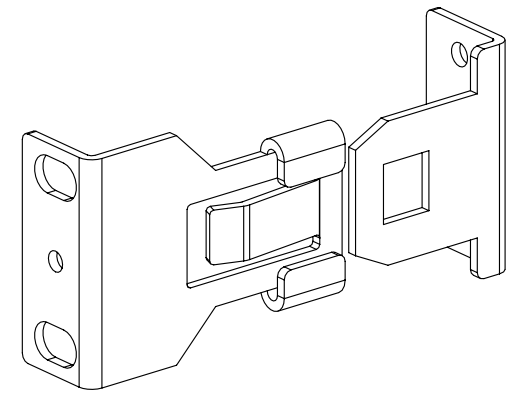


ASSEMBLED

PANDUIT P/N	WEIGHT
SRBBRKT	2.58 LB/10 PCS (1172.0 g/10 PCS)

NOTES:

1. SEE CURRENT CATALOG FOR ADDITIONAL PART NUMBER SUFFIXES TO INDICATE COLOR AND OR PACKAGE QUANTITY.
2. SEE CATALOG FOR COMPLETE LIST OF PARTS APPLICABLE FOR USE WITH THIS PART.
3. DIMENSIONS IN PARENTHESES ARE IN METRIC.
4. PART INCLUDES:
2- TAB BRACKET
2- LATCHING BRACKET
2- RATCHET FASTENER



PART NUMBER		SRBBRKT	
TITLE			
QUICK RELEASE BRACKETS FOR STRAIN RELIEF BARS			
CUSTOMER DRAWING			
ITEM REVISION NAME		M02077AC/05	
DATASET FILE NAME		M02077AC_DC/05C	
UNLESS OTHERWISE SPECIFIED, DIMENSIONAL TOLERANCES ARE: IN [mm]		MATERIAL:	
.x ± .xxx ± .010 [.3]		C.R.S.	
.xx ± .03 [.8]		DRAWING NUMBER:	
ANGLES ±		02077-09	
THIRD ANGLE PROJECTION		SHT 1 OF 1	
DRAWN BY	DATE	CHK	SCALE
JSP	10-2-04	MJD	NONE
REV	DATE	BY	CHK
2	4-28-14	BJN	JSP
APR	MMR	REVISD & REDRAWN PREVIOUS REVISIONS REMVD FOR CLARITY	
DESCRIPTION	ECN	02077-09	

D10100DA/14

Mouser Electronics

Authorized Distributor

Click to View Pricing, Inventory, Delivery & Lifecycle Information:

[Panduit:](#)

[SRBBRKT](#)