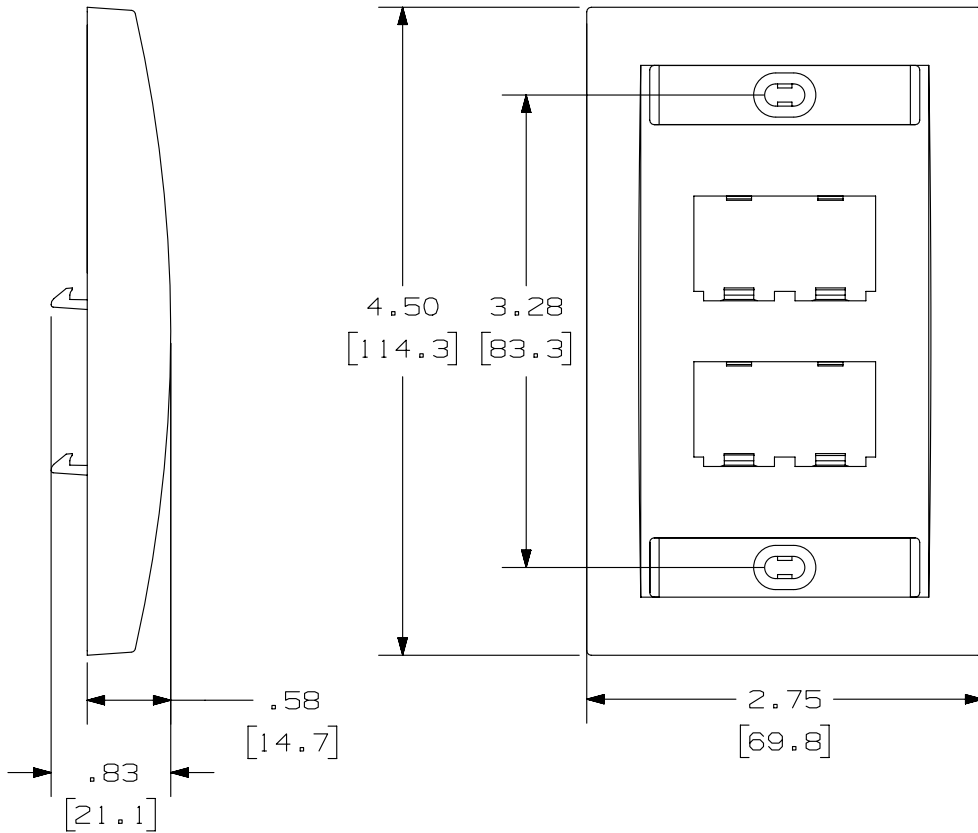


THIS COPY IS PROVIDED ON A RESTRICTED BASIS AND IS NOT TO BE USED IN ANY WAY DETRIMENTAL TO THE INTERESTS OF PANDUIT CORP.

| | |
|-------------|-----------------------------------|
| PANDUIT P/N | WEIGHT |
| CFPE4**Y | .71 LB/10 PCS (322.1 g/10 PCS) |

NOTES:

- SEE CURRENT CATALOG FOR ADDITIONAL PART NUMBER SUFFIXES TO INDICATE COLOR AND OR PACKAGE QUANTITY.
- SEE CATALOG FOR COMPLETE LIST OF PARTS APPLICABLE FOR USE WITH THIS PART.
- DIMENSIONS IN [] ARE IN METRIC.
- PART INCLUDES:
1- FACEPLATE
2- LABEL
2- LABEL COVER
2- MOUNTING SCREW



| | | | |
|--|---------|---------------------------|-------|
| PART NUMBER | | CFPE4**Y | |
| TITLE | | | |
| MINI-COM 4 POSITION EXECUTIVE | | SERIES VERTICAL FACEPLATE | |
| CUSTOMER DRAWING | | | |
| ITEM REVISION NAME | | M02479EL/00 | |
| DATASET FILE NAME | | M02479EL_DC118/00B | |
| UNLESS OTHERWISE SPECIFIED, DIMENSIONAL TOLERANCES ARE: IN [mm] | | MATERIAL: | |
| .x ± .xx ± .03 [.8] | | ABS | |
| .xxx ± .010 [.3] | | DRAWING NUMBER: | |
| ANGLES ± | | 02479-118 | |
| THIRD ANGLE PROJECTION | | SHT 1 OF 1 | |
| DRAWN BY | DATE | CHK | SCALE |
| JSP | 4-26-06 | MJD | NONE |
| REV | DATE | BY | CHK |
| 1 | | JSP | REFR |
| R | | JSP | MJD |
| DESCRIPTION | | ECN | |
| A. REVISED DRAWING TITLE BLOCK. | | 02479-118 | |
| RELEASED TO PRODUCTION | | 02479-118 | |

D10100DA/14

2

1

2

1

Mouser Electronics

Authorized Distributor

Click to View Pricing, Inventory, Delivery & Lifecycle Information:

[Panduit:](#)

[CFPE4E1Y](#)