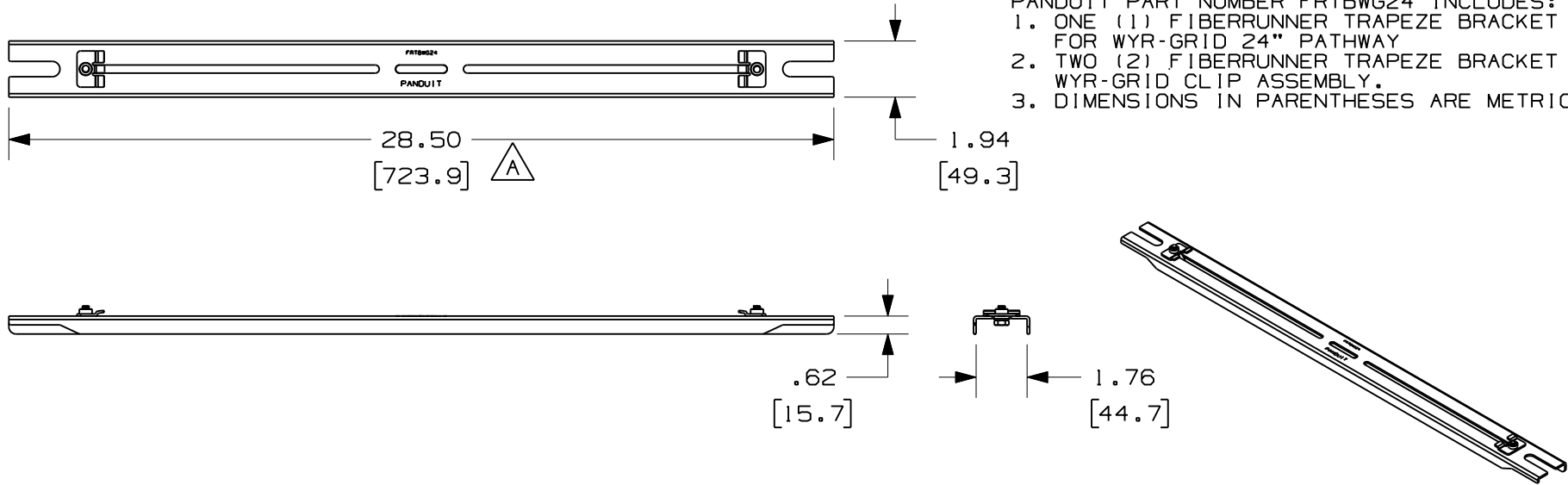


THIS COPY IS PROVIDED ON A RESTRICTED BASIS AND IS NOT TO BE USED IN ANY WAY DETRIMENTAL TO THE INTERESTS OF PANDUIT CORP.

PANDUIT PART NUMBER	WEIGHT
FRTBWG24	1.95 LBS/EACH (884.5 g/EACH)

NOTES:

- PANDUIT PART NUMBER FRTBWG24 INCLUDES:
 1. ONE (1) FIBERRUNNER TRAPEZE BRACKET FOR WYR-GRID 24" PATHWAY
 2. TWO (2) FIBERRUNNER TRAPEZE BRACKET WYR-GRID CLIP ASSEMBLY.
 3. DIMENSIONS IN PARENTHESES ARE METRIC.



CAD FILENAME/LAYERS 10D165AC_DC/02A (FRTBWG24)

PANDUIT CORP. TINLEY PARK, ILLINOIS

FIBERRUNNER TRAPEZE BRACKET FOR WYR-GRID 24" PATHWAY ASSEMBLY (FRTBWG24)
 CUSTOMER DRAWING

UNLESS OTHERWISE SPECIFIED, DIMENSIONAL TOLERANCES ARE: (.X) ± (.XXX) ± (.XX) ± .01 (.3) ANGLES ±	UNLESS OTHERWISE SPECIFIED, ALL DIMENSIONS ARE GIVEN IN INCHES, THIRD ANGLE PROJECTION.
---	---

REV	DATE	BY	CHK	DESCRIPTION	ECN	CHK	CUST	SUP	DRAWN BY	MAT'L	SCALE	DRAWING NO.	DWG SIZE
I	8-26-10	JAHA	EB	A. REVISED PART GEOMETRY	10D165AC-DC	RN	RN		JAHA		NONE	10D165AC-DC	A
R	8-3-10	JAHA	EB	RELEASED TO PRODUCTION	10D165AC-DC	RN	RN		DATE	SEE NOTES ABOVE			
									8-3-10				
									CHK'D				
									EB				

Mouser Electronics

Authorized Distributor

Click to View Pricing, Inventory, Delivery & Lifecycle Information:

[Panduit:](#)

[FRTBWG24BL](#)