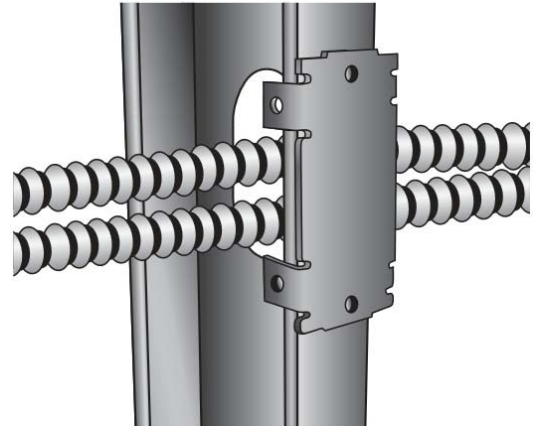
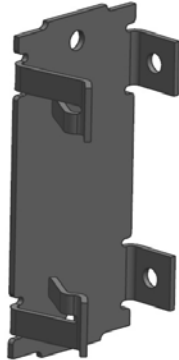


Part Number: P304B2

Product Description: PRESS-ON NAIL PLATE



Material Specifications

Type: Steel
Color: Black

Finish: Manganese Phosphate, and Oil

Function Specifications

Compatible Wires and Cables

AC/MC CABLE (OD):
Drop Wire:
Plain Rod (in):

Threaded Rods and Bolts

Tapped Holes:
Clearance Holes (in): Four 3/16 holes
Threaded Rod Size (in):

Compatible Conduit

EMT Size (in):
Rigid/IMC (in):

Compatible Flanges and Studs

Flange Size (in):
Metal Stud Size (in): Most standard 1 3/8" width

Static Load Rating

Vertical (lbs):
Horizontal (lbs):

Other

Nail plate for wood or metal studs

Codes and Regulatory

Regulatory Certifications:

Country of Origin: CN

Packaging

General Packaging: Cardboard Box
Box Size: 11 X 7.5 X 7.25

Pieces per Package: 100
Other Box Features:

Document Information

Created By: DBLA
Checked By: DJW
Approved By: KLN

Customer Specification #: C11462
Revision Level: 0
ECN #: GAECN01812
Date: 3/17/2014

Mouser Electronics

Authorized Distributor

Click to View Pricing, Inventory, Delivery & Lifecycle Information:

[Panduit:](#)

[P304B2](#)