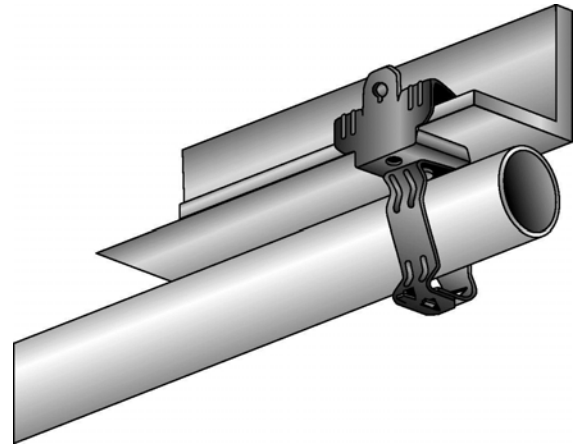
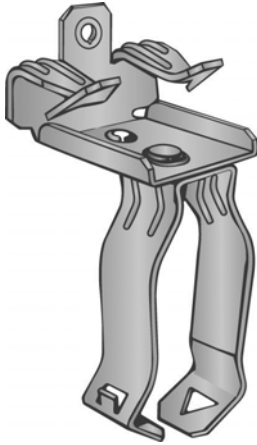


Part Number: P16M912

Product Description: BEAM CLAMP FOR 9/16" - 3/4" FLANGE WITH 1" SNAP CLOSED CONDUIT CLIP



Material Specifications

Type: Assembly

Finish: Assembly

Color: Various

Function Specifications

Compatible Wires and Cables

AC/MC CABLE (OD):
Drop Wire:
Plain Rod (in):

Threaded Rods and Bolts

Tapped Holes: 1/4"-20 BACK OF BEAM CLAMP
Clearance Holes (in):
Threaded Rod Size (in):

Compatible Conduit

EMT Size (in): 1
Rigid/IMC (in): 1

Compatible Flanges and Studs

Flange Size (in): 9/16 to 3/4
Metal Stud Size (ins):

Static Load Rating

Vertical (lbs): 75
Horizontal (lbs):

Other

Codes and Regulatory

Regulatory Certifications: UL/cUL

Country of Origin: US

Packaging

General Packaging: Cardboard Box
Box Size: 15 X 8.25 X 7.25

Pieces per Package: 100
Other Box Features:

Document Information

Created By: DBLA
Checked By: DJW
Approved By: KLN

Customer Specification #: C11173
Revision Level: 01
ECN #: GAECN01482
Date: 12/10/2013

Mouser Electronics

Authorized Distributor

Click to View Pricing, Inventory, Delivery & Lifecycle Information:

[Panduit:](#)

[P16M912](#)