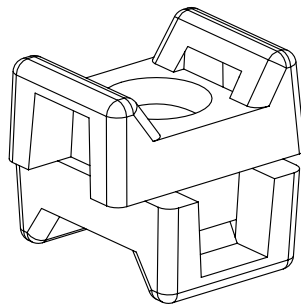
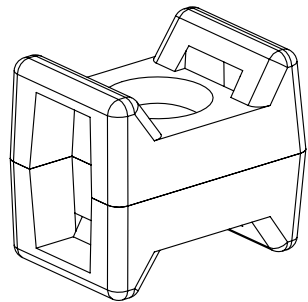
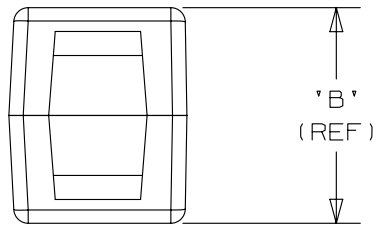
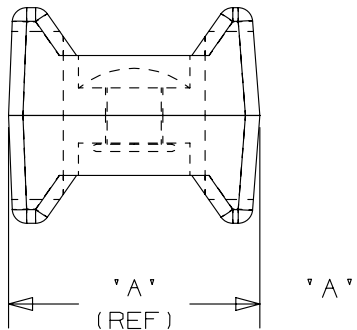
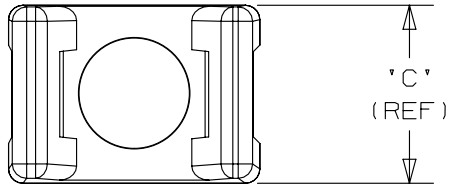


PANDUIT PART NO.*	DIMENSIONS			USE WITH ANY OF THESE CABLE TIES	WEIGHT lbs / 100 (g) / pcs.
	'A'	'B'	'C'		
TM3-X2--	0.87 (22.10)	0.75 (19.05)	0.62 (15.75)	M, I, S, LH	0.97 (439.9)
TM1-X2--	0.52 (13.21)	0.46 (11.68)	0.32 (8.13)	M	0.17 (77.1)



ROTATED 90°

NOTES:

- SEE CURRENT PRICE SHEET FOR PART NUMBER SUFFIX DESIGNATION FOR PACKAGE SIZE AND COLOR OPTIONS.
- CABLE TIE CROSS-SECTION CODE:
M = MINATURE
I = INTERMEDIATE
S = STANDARD
LH = LIGHT HEAVY
- RIVET MATERIAL: 5056-S ALUMINUM

SEE www.panduit.com FOR CURRENT PART NUMBER SUFFIX DESIGNATION, PACKAGE SIZE AND PART COLOR.

DIMENSIONS IN BRACKETS ARE METRIC. {MM}

TITLE				SWIVEL TIE MOUNT - (TM_-X2-_-)			
ITEM REVISION NAME				10B015IN/00			
DATASET FILE NAME				10B015IN/00_DC_GB244BA_REV_05			
UNLESS OTHERWISE SPECIFIED, DIMENSIONAL TOLERANCES ARE: IN [mm]				PANDUIT			
.x ± .1 [2.54] .xxx ± .005 [.127] .xx ± .01 [.25] ANGLES ± 5 °							
				THIRD ANGLE PROJECTION			
DRAWING NUMBER:				GB2446BA			
DRAWN BY	DATE	CHK	SCALE	SHT 1 OF 1		SIZE	
JAD	11/01/00	MPH	1.5X			A4	

5	2/28/13	BWG	MPH	PBC	REMOVED MOUNT MATERIAL NOTE, ADDED STANDARD MATERIAL WWW.PANDUIT.COM NOTE. CREATED NEW CADFILE.	GB2446BA
REV	DATE	BY	CHK	APR	DESCRIPTION	ECN

Mouser Electronics

Authorized Distributor

Click to View Pricing, Inventory, Delivery & Lifecycle Information:

[Panduit:](#)

[TM1-X2-C](#) [TM1-X2-M](#)