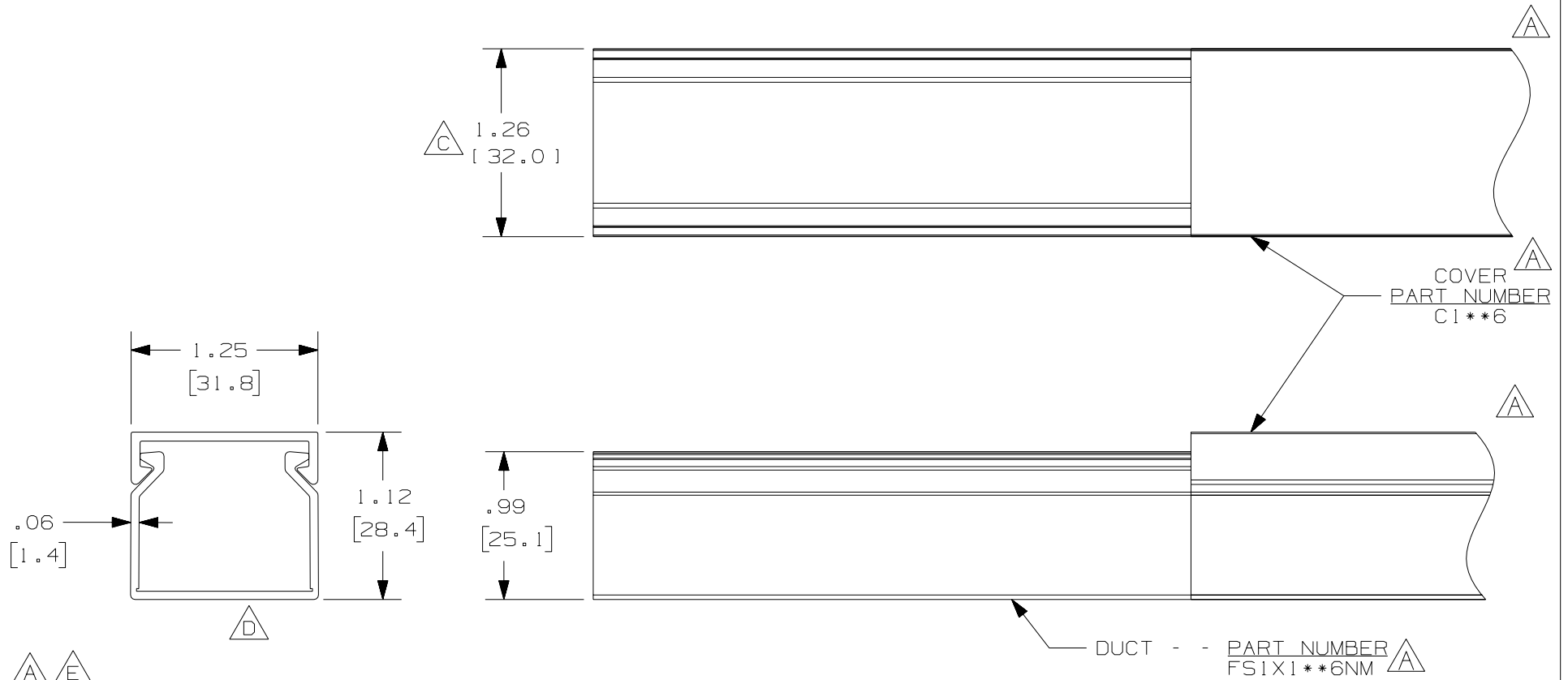


THIS COPY IS PROVIDED ON A RESTRICTED BASIS AND IS NOT TO BE USED IN ANY WAY DETRIMENTAL TO THE INTERESTS OF PANDUIT CORP.



NOTE.

1. ALL DIMENSIONS ARE REFERENCE ONLY.
2. DIMENSIONS IN PARENTHESES ARE METRIC.
3. THE ** DENOTE COLOR.
4. DUCT AND COVER ARE AVAILABLE IN 6 FT [1828.8] LENGTHS.

CAD FILENAME/LAYERS D11000ET_DC_03C

PANDUIT CORP. TINLEY PARK, ILLINOIS
 WIRING DUCT - TYPE FS DUCT WITH COVER
 1 X 1
 MARKETING DRAWING

REV	DATE	BY	CHK	DESCRIPTION
2	8-6-07	JCST	MKBE	D. DELETED DIMENSION C. ADDED DIMENSION
1	10-14-05	JCST	MKBE	B. CHANGED TITLE BLOCK A. ADDED TOP & SIDE VIEWS, LABELS, AND NOTES.
R	9-26-05	JCST	JGG	DRAWING RELEASED

DRAWN BY JCST	MAT'L; PVC	SCALE FULL
DATE 9-26-05	CHK'D JGG	DWG A
DRAWING NO. 36897-893		SIZE A

Mouser Electronics

Authorized Distributor

Click to View Pricing, Inventory, Delivery & Lifecycle Information:

[Panduit:](#)

[FS1X1WH6NM](#)