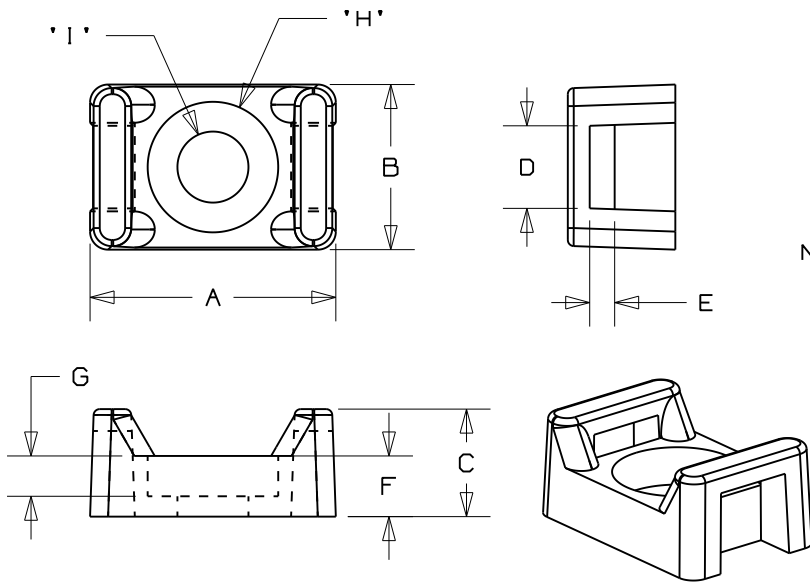


THIS COPY IS PROVIDED ON A RESTRICTED BASIS AND IS NOT TO BE USED IN ANY WAY DETRIMENTAL TO THE INTERESTS OF PANDUIT CORP.

| PANDUIT PART # | RECOMMENDED FASTENER | A              | B              | C             | D<br>+.015<br>(+.38)<br>-.005<br>(-.13) | E             | F             | G<br>(REF)    | H<br>(REF)    | I<br>(REF)    | USE WITH CABLE TIE CROSS SECTIONS | WEIGHT<br>100 pcs<br>lbs (g) |
|----------------|----------------------|----------------|----------------|---------------|---|---------------|---------------|---------------|---------------|---------------|-----------------------------------|------------------------------|
| TM2S8-86       | #8 (M4) SCREW        | .630<br>(16.0) | .422<br>(10.7) | .275<br>(7.0) | .215<br>(5.5)                           | .064<br>(1.6) | .155<br>(3.9) | .105<br>(2.7) | .325<br>(8.3) | .178<br>(4.5) | MINIATURE INTERMEDIATE STANDARD   | .12<br>(54)                  |
| TM3S8-86       |                      | .867<br>(22.0) | .614<br>(15.6) | .373<br>(9.5) | .322<br>(8.2)                           | .087<br>(2.2) | .209<br>(5.3) | .114<br>(2.9) | .325<br>(8.3) | .178<br>(4.5) | STANDARD LIGHT HEAVY              | .39<br>(177)                 |
| TM3S10-86      | #10 (M5) SCREW       | .867<br>(22.0) | .614<br>(15.6) | .373<br>(9.5) | .322<br>(8.2)                           | .087<br>(2.2) | .209<br>(5.3) | .114<br>(2.9) | .385<br>(9.8) | .200<br>(5.1) |                                   |                              |



NOTES:

1. SEE CURRENT PRICE SHEET FOR PART NUMBER SUFFIX DESIGNATION FOR PACKAGE SIZE.
2. COUNTERBORE HOLE TO PROVIDE LESS OF AN OBSTRUCTION TO THE BUNDLE.
3. UNIQUE CRADLE DESIGN PROVIDES MAXIMUM STABILITY AND RIGIDITY TO THE WIRE BUNDLE.

DIMENSIONS IN PARENTHESIS ARE IN METRIC UNITS

CAD FILENAME/LAYERS W10001CS/01 SS-27606

PANDUIT CORP. TINLEY PARK, ILLINOIS  
 TM2, TM3 TIE MOUNTS  
 METAL DETECTABLE NYLON SERIES

UNLESS OTHERWISE SPECIFIED, DIMENSIONAL TOLERANCES ARE:  
 (.X) ± .1 (2.5) (.XXX) ± .020 (.51)  
 (.XX) ± .02 (.5) ANGLES ± 5°

UNLESS OTHERWISE SPECIFIED, ALL DIMENSIONS ARE GIVEN IN INCHES, THIRD ANGLE PROJECTION.

| REV | DATE    | BY  | CHK | DESCRIPTION                                   | ECN      | R | CUST | SUP |
|-----|---------|-----|-----|---|----------|---|------|-----|
| I   | 9/22/08 | ERW |     | CHANGED TM3S8 'H' DIMENSION FROM .385 TO .325 | SS-27606 | I |      |     |
| R   | 9/10/08 | ERW | TGS | DRAWING RELEASED                              | SS-27606 | R | TGS  |     |

|                 |  |                         |
|-----------------|--|-------------------------|
| DRAWN BY<br>ERW | MAT'L:<br>NYLON 6.6<br>COLOR: -86 BLUE | SCALE<br>NONE           |
| DATE<br>9/10/08 |  | DRAWING NO.<br>SS-27606 |
| CHK'D<br>TGS    |  | DWG<br>SIZE<br>A        |

# Mouser Electronics

Authorized Distributor

Click to View Pricing, Inventory, Delivery & Lifecycle Information:

[Panduit:](#)

[TM3S10-C86](#)