

THIS COPY IS PROVIDED ON A RESTRICTED BASIS AND IS NOT TO BE USED IN ANY WAY DETRIMENTAL TO THE INTERESTS OF PANDUIT CORP.

WIRE SIZE	NUMBER OF WIRES	NUMBER OF ADDITIONAL WIRES OF ONE SIZE						
		#24	#22	#20	#18	#16	#14	
	1	1-10	1-6	1-4	1 OR 2	1	1	
	2	1-9	1-5	1-3	1 OR 2	1	1	
	3	1-8	1-4	1 OR 2	1 OR 2	1	0	
#24 AWG	4	1-7	1-4	1 OR 2	1	1	0	
	5	1-6	1-3	1	1	0	0	
	6	1-5	1-3	1	0	0	0	
	7	1-4	1 OR 2	0	0	0	0	
	1	1-10	1-5	1-4	1 OR 2	1	1	
	2	1-8	1-4	1-3	1 OR 2	1	0	
#22 AWG	3	1-6	1-3	1 OR 2	1	1	0	
	4	1-4	1 OR 2	1	1	0	0	
	5	1 OR 2	1	1	0	0	0	
	1	1-6	1-4	1-4	1 OR 2	1	1	
	2	1-4	1-3	1-3	1 OR 2	1	0	
#20 AWG	3	1 OR 2	1 OR 2	1 OR 2	1	0	0	
	4	1	1	1	0	0	0	
#18 AWG	1	1-5	1-4	1-3	1 OR 2	1	0	
	2	1-3	1 OR 2	1 OR 2	1	0	0	
#16 AWG	1	1-4	1-3	1 OR 2	1	1	0	
#14 AWG	1	1 OR 2	1	1	0	0	0	

1. USED FOR:

- A. FOR SOLID OR STRANDED COPPER WIRE
- B. 600V MAX BUILDING WIRE, (1000V. MAX IN SIGNS, FIXTURES, AND LUMINAIRES)
- C. 221°F (105°C) MAX TEMP RATING
- D. SEE CHART FOR WIRE COMBINATIONS

2. INSTALLATION TOOLS:

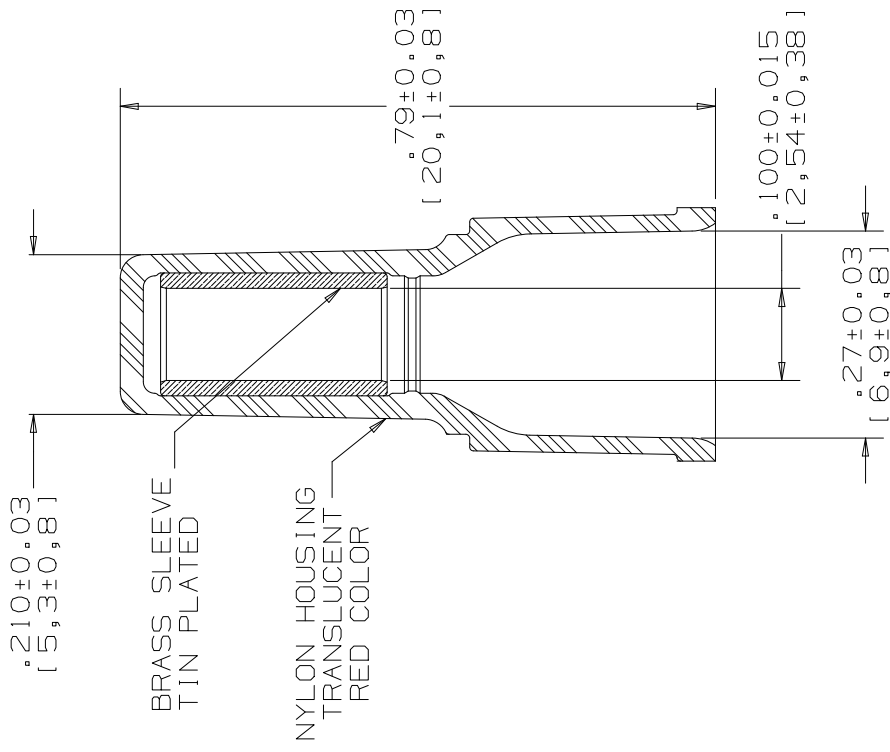
CT-1550, CT-1551, CT-2500 / (CT-2550CH), CT-100B, CT-250, CT-260

3. WIRE STRIP LENGTH: 7/16" ^{+1/32} -0 [11,1 mm ^{+0,8} -0]

4. SEE www.panduit.com FOR PART NUMBER SUFFIX DESIGNATION FOR PACKAGE SIZE. THE "*" IN THE PART NUMBER REFERS TO PACKAGING SUFFIX.

5. DIMENSIONS IN BRACKETS ARE METRIC EQUIVALENT

6. TWIST ENDS OF STRIPPED WIRE TOGETHER BEFORE INSERTING INTO WIRE JOINT



TITLE

NYLON INSULATED WIRE JOINT
JN224-318-#N

CUSTOMER DRAWING

ITEM REVISION NAME

03368NBE/00

DATASET FILE NAME

03368NBE_DC/00A

MATERIAL:

NYLON/BRASS

UNLESS OTHERWISE SPECIFIED, DIMENSIONAL TOLERANCES ARE: IN (mm)
.X ± .1 [2.54]
.XX ± .01 [.25]
.XXX ± .005 [.127]
ANGLES ± 5°

THIRD ANGLE PROJECTION

DRAWING NUMBER:

03368NBE-DC

DRAWN BY DATE

ACC 04/02/2024

CHK

MRWA

SCALE

NONE

SIZE

A

ECN

DESCRIPTION

CHK APR

BY

DATE

REV

Mouser Electronics

Authorized Distributor

Click to View Pricing, Inventory, Delivery & Lifecycle Information:

[Panduit:](#)

[JN224-318-MN](#)